



Caproni



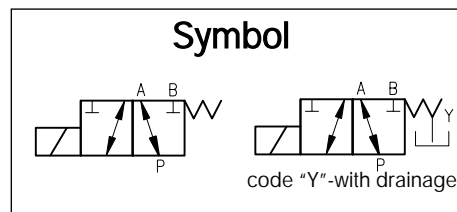
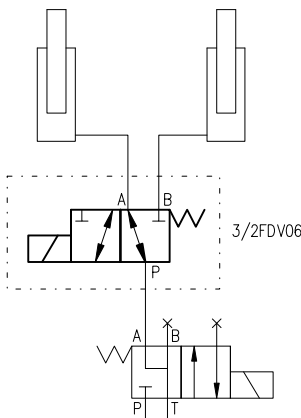
FLOW DIVERTERS

GENERAL DESCRIPTION

- ✓ 3/2- way flow diverter with solenoid operation
- ✓ Removable DC voltage coils-quick replacement and rotation in any direction without leakage from the system
- ✓ Wet pin core tubes
- ✓ Manual override option (push button)
- ✓ Maximum control of hydraulic power
- ✓ Reliability and long life



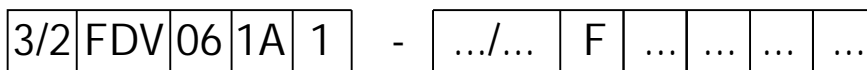
Connecting example



The 3/2FDV06... valve is solenoid operated flow diverter valve. It is often used to control the direction of flow with two single acting cylinders as shown in the connecting example.

In case of problem with the electric supply , an option for manual override is provided.

ORDERING CODE



3-way , 2-position

Flow diverter

Nominal size - NG6

Functional symbol

Type of control: -electrical

Supply voltage/current frequency: **12V DC - 012/00**
24V DC - 024/00

Modification

External drainage:

omit - without drainage
Y - with drainage

Connection threads:

G38 - G3/8"

G12 - G1/2"

Climatic executions:

N - normal

T - tropical

Connectors:

C1 - without connector

C2 - standard connector

C3 - connector with light indicator

TECHNICAL DATA
GENERAL

DATA	UNIT	VALUE/RANGE
Installation position		optional
Max. ambient temperature	°C	-20...+50
Weight	kg	1,700

HYDRAULIC

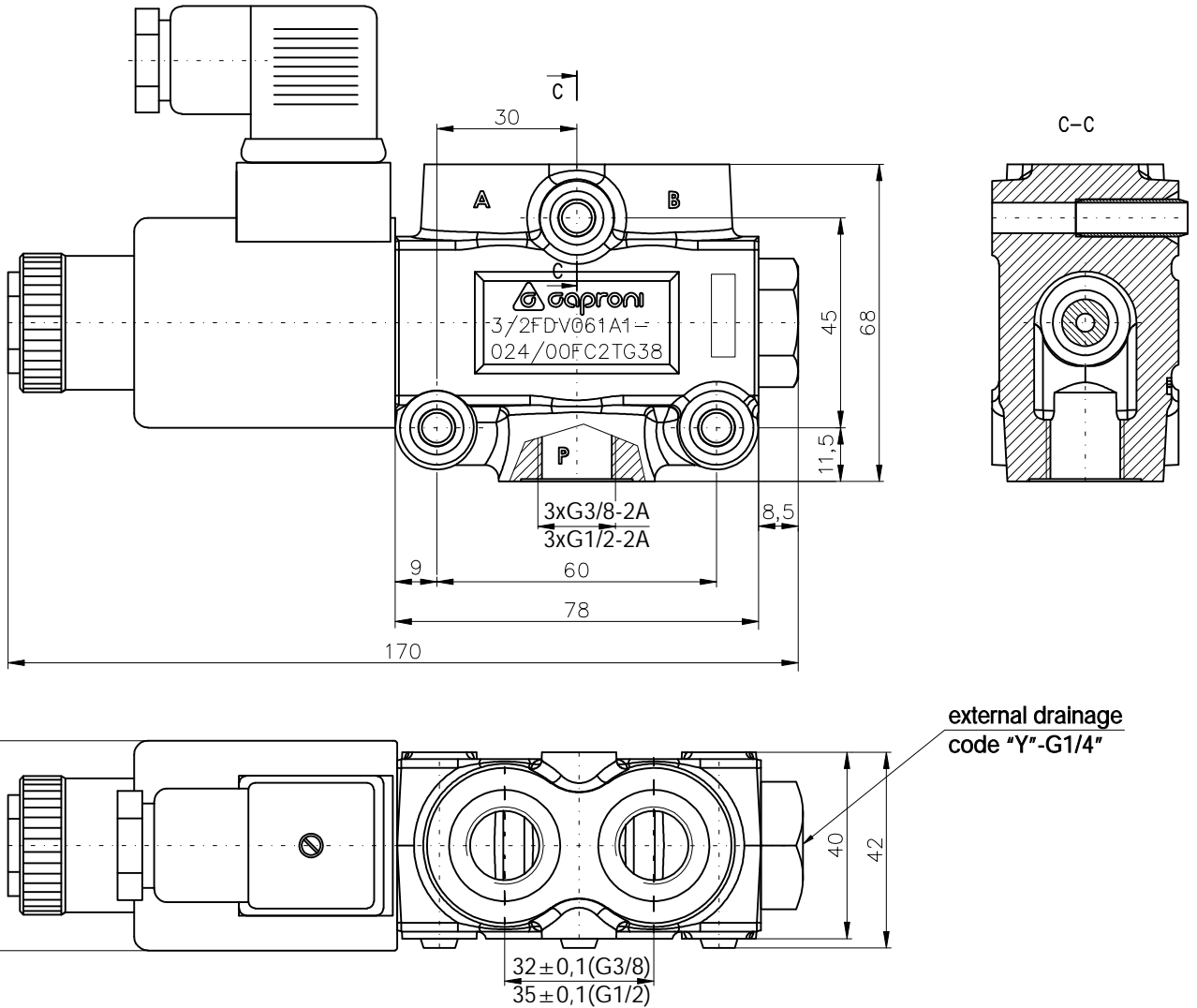
Max. pressure	MPa	21
Rated flow - see characteristics		
Hydraulic fluid-mineral oil: -viscosity -filtration degree -temperature	mm ² /s mm °C	10...800 0.025 -20...80

ELECTRICAL

Cyclic duration	%	100
Waterproof		IP65
Heat insulation		H
Type of voltage		DC
Available voltage /frequency	V/Hz	12/00 24/00
Voltage tolerance	%	±10
Current consumption	A	12VDC 24VDC 3,1 1,6
Max. switching frequencies	cycle/h	10000

DIMENSIONS

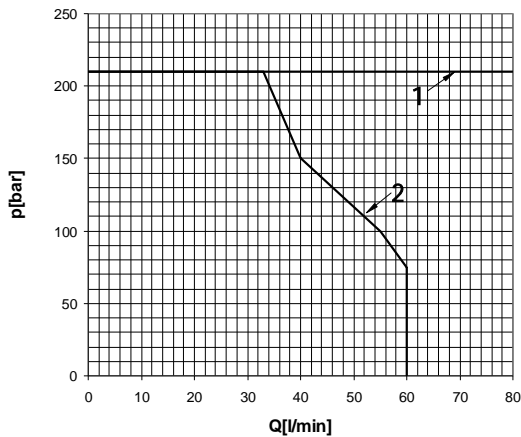
All dimensions are shown in mm.



CHARACTERISTICS

p/Q

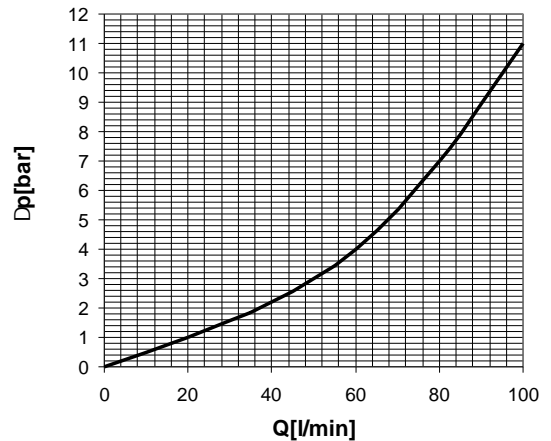
curve 2 - P to A and P to B
curve 1 - A to P and B to P
32cSt oil at 50°C



Measured for valve
without drainage

Dp/Q

P to A , P to B , A to P and B to P
32cSt oil at 50°C

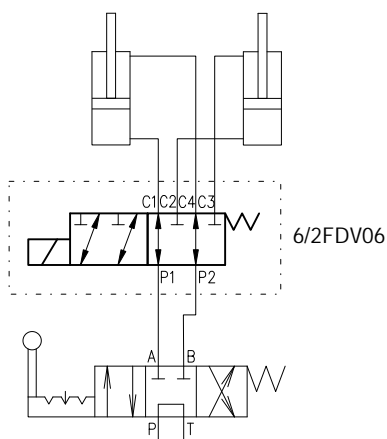


GENERAL DESCRIPTION

- ✓ 6/2- way flow diverter with solenoid operation
- ✓ Removable DC voltage coils-quick replacement and rotation in any direction without leakage from the system
- ✓ Wet pin core tubes
- ✓ Manual override option (push button)
- ✓ Maximum control of hydraulic power
- ✓ Reliability and long life



Connecting example



	Symbol	Intermediate	Drainage
11A			code "Y"- with drainage
12A			code "Y"- with drainage
11A			without drainage
12A			without drainage

The 6/2FDV06... valve is solenoid operated flow diverter valve. It is often used to control the direction of flow with two double acting cylinders as shown in the connecting example.

In case of problem with the electrical supply , an option for manual override is provided.

ORDERING CODE

6/2 FDV 06 ... 1 - .../... F

6-way , 2-position

Flow diverter

Nominal size - NG6

Functional symbol: **11A**
12A

Type of control: -electrical

Supply voltage/current frequency: **12V DC - 012/00**
24V DC - 024/00

Modification

Connectors:

- without connector - **C1**
- standard connector - **C2**
- connector with light indicator - **C3**

External drainage:

omit - without drainage
Y - with drainage

Connection threads:

G38 - G3/8"
M18 - M18x1,5

Climatic executions:

N - normal
T - tropical

TECHNICAL DATA
GENERAL

DATA	UNIT	VALUE/RANGE
Installation position		optional
Max. ambient temperature	°C	-20...+50
Weight	kg	3,300

HYDRAULIC

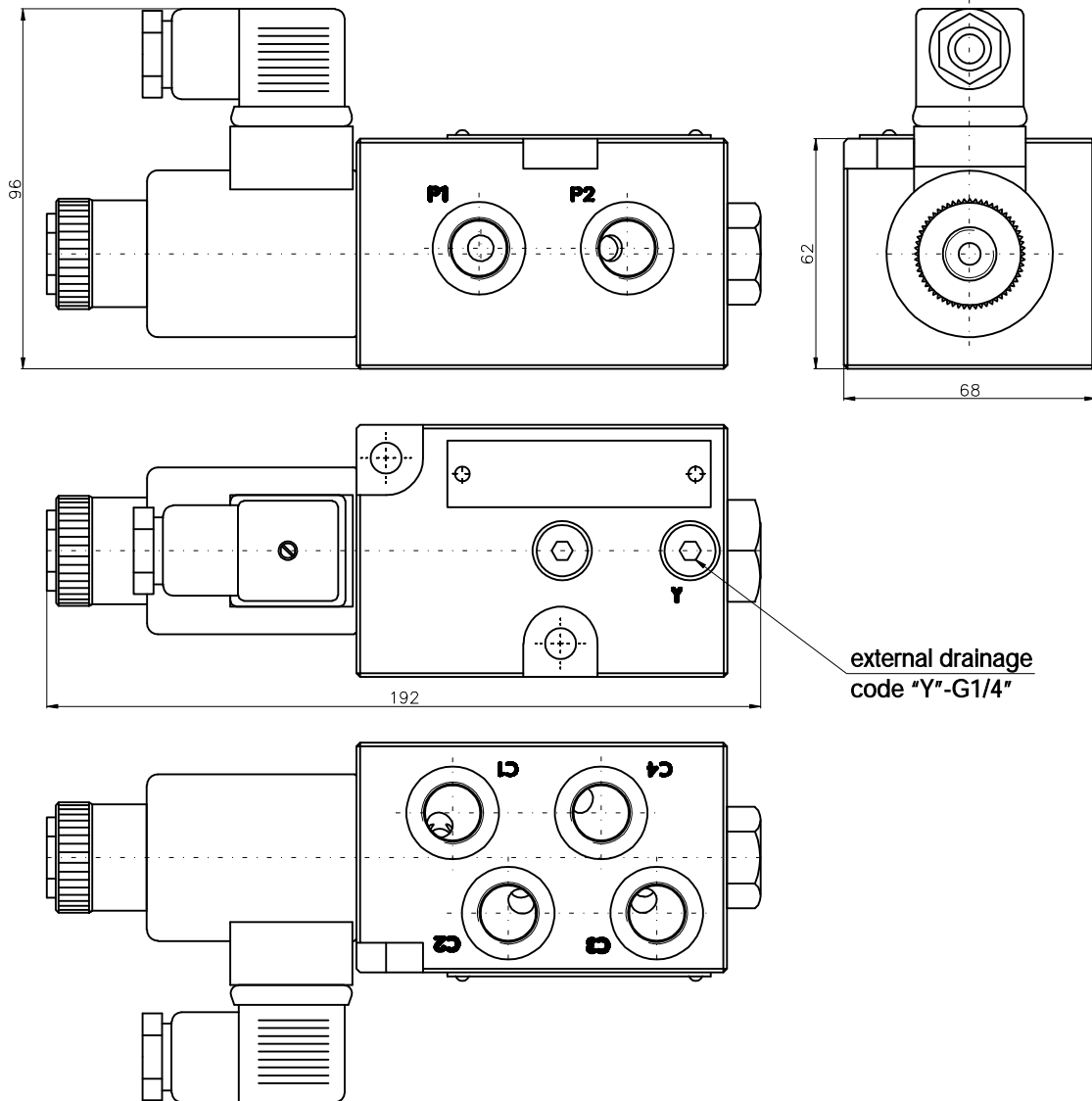
Max. pressure:	with drainage without drainage	MPa	31,5 21
Rated flow - see characteristics			
Hydraulic fluid-mineral oil:			
-viscosity	mm ² /s		10...800
-filtration degree	mm		0.025
-temperature	°C		-20...80

ELECTRICAL

Cyclic duration		%	100
Waterproof			IP65
Heat insulation			H
Type of voltage			DC
Available voltage /frequency		V/Hz	12/00 24/00
Voltage tolerance		%	± 10
Current consumption	12VDC 24VDC	A	3,1 1,6
Max. switching frequencies		cycle/h	10000

DIMENSIONS

All dimensions are shown in mm.



CHARACTERISTICS

p/Q

Measured for valve without drainage

Dp/Q

curve 2 - P1 to C2 to C3 to P2 & P2 to C3 to C2 to P1
 curve 1 - P1 to C1 to C4 to P2 & P2 to C4 to C1 to P1
 32cSt oil at 50°C

For all directions
 32cSt oil at 50°C

