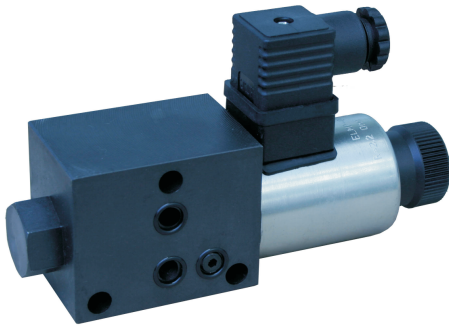


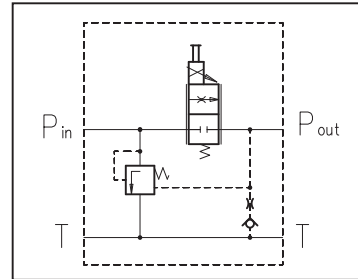
GENERAL DESCRIPTION

List: PFRTSC3-1-Mar 2014

The F RTP06... valve is used to control the speed of hydraulic actuators. This valve is designed for assembling with other valves for stackable control blocks type SVM06... - see "Document: SDCV-..."



Symbol



- ✓ 3- way flow regulator with proportional solenoid operation without feedback
- ✓ Removable coils-quick replacement and rotation in any directions without leakage from the system
- ✓ Manual override option (push button)

ORDERING CODE

F RTP 06 - 25 - GF

Proportional flow regulator

Nominal size

Nominal flow: 25l/min

Modification

N - normal
T - tropical

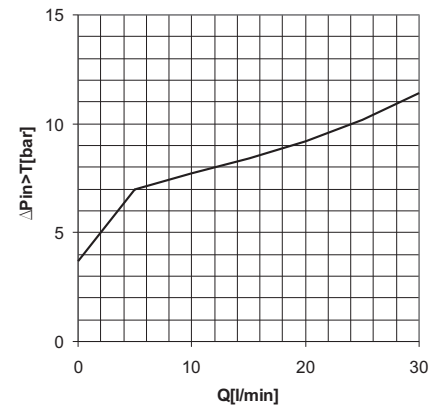
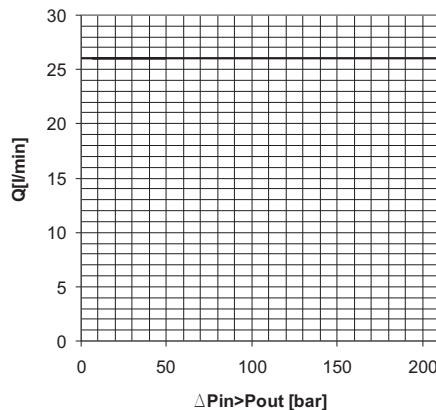
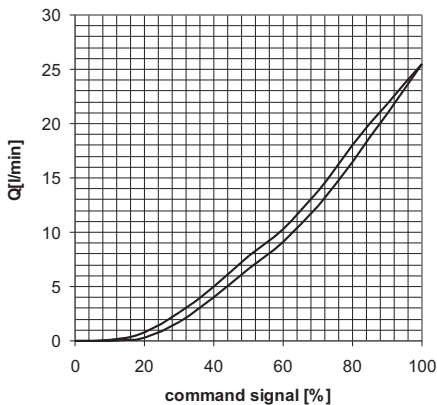
Climatic realization:

Connectors:

- C1 - without connectors
- C2 - with connectors without light indicator
- C3 - with connectors with light indicator

CHARACTERISTICS

Measured at: PWM 120Hz. , $I_{max.}=2,5A$, $I_{min.}=1A$, $t=45^{\circ}C$



TECHNICAL DATA
GENERAL

DATA	UNIT	VALUE/RANGE
Installation position		optional , preferably horizontal
Ambient temperature range	°C	-20...+50
Weight	kg	1,600
Hysteresis	%	<6
Repeatability	%	±1,5

HYDRAULIC

Max. operating pressure	MPa	21
Regulated flow Max. inlet flow	l/min	25 40
Hydraulic fluid-mineral oil: -viscosity -filtration degree to ISO 4406 -temperature	mm ² /s class °C	10...400 18/16/13 -20...80

ELECTRICAL

Cyclic duration	%	100
Waterproof		IP65
Heat insulation		H
Coil resistance	Ω	2,2 3
		cold warm
Max current	A	2,5

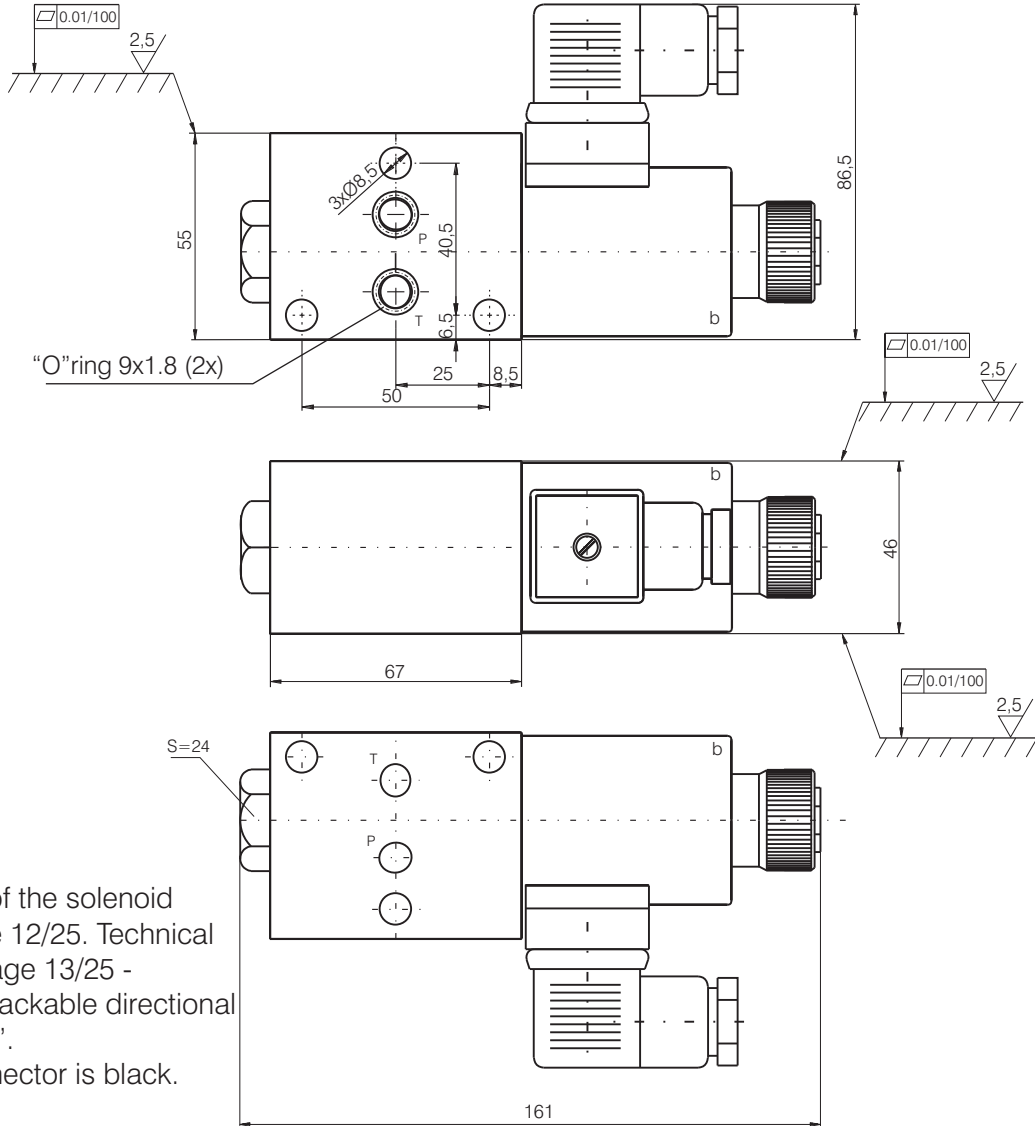
AMPLIFIER
EDAR 1211-1-25 - Order separately

These digital amplifier EDAR 1211-1-25 is designed to control direct operated proportional directional control valves and proportional flow regulators with one solenoid without feedback - see "List: EDAR1211-1-25".

All dimensions are shown in mm.

DIMENSIONS

F RTP06-25-GF...



Dimensions of the solenoid are as in page 12/25. Technical data - as in page 13/25 - Document "Stackable directional control valves".
The plug connector is black.

HOW TO CONNECT

Connect this valve always right after inlet cover!

