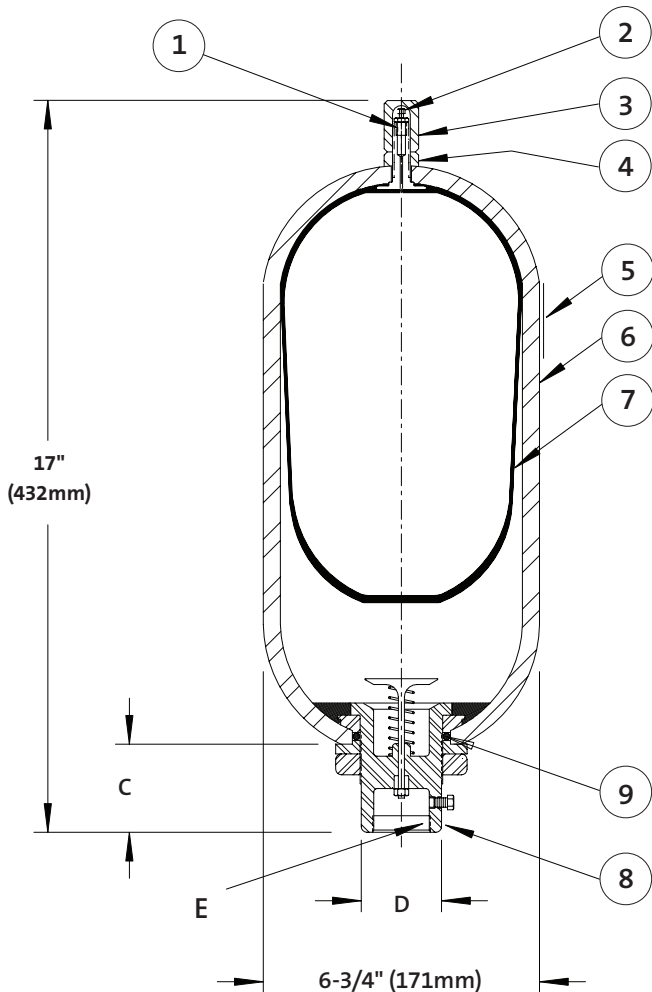


TBR30 BLADDER ACCUMULATORS 1 GALLON

Model Number	Gas Capacity		Fluid Capacity		Dry Weight		Dimension C		Dimension D		Dimension E
	In. ³	Cm. ³	Gallon	Liters	Lbs.	Kg.	Inch	mm	Inch	mm	
TBR30-1NMEA	235	3851	1	4	34	15	3.5	89	2.375	60	SAE-20 STANDARD 1.25"NPT OPTIONAL TO SPECIFY 1.25" NPT, REPLACE "E" WITH "C"



Item Number	Part Number	Description	Number Required
1	3A-185	Core, Gas Stem	1
2	3A-190	Cap, Gas Stem	1
3	TB-210-PC	Guard, Gas Valve, 1 Gallon	1
4	TB-200	Lock Nut, Adaptor, Zinc Plated	1
5	NP-100	Nameplate	1
6	TB30-75	Shell (Not Available Separately)	1
7	BB30-1*	Bladder	1
8	TB-G704	Gallon Oil Port Body Assm - SAE-20	1
Opt.	TB-G704-P	Gallon Oil Port Body Assm - 1-1/4" NPT	Opt.
9	SB3T41	Seal, Backup, Teflon	1

Specify bladder and seal material by selecting appropriate material code: "N" = BUNA-N, "B" = BUTYL, "E" = EPR, "V" = FKM (Viton®)

Complete repair kits for Bottom Repairable Models — 2.5, 5, 10, 11 and 15 gallons

New Part Number	Type	Old Part Number
BK30-1N	BUNA-N	RB30-1NT
BK30-1V	FKM (Viton®)	RB30-1ET
BK30-1B	BUTYL	RB30-1BT
BK30-1E	EPR	RB30-1HT

Repair kit includes: (1) Bladder, (1) Gas Valve & O-Ring, (2) Oil Port Body O-Ring, and (2) O-Ring Backup and (1) Anti-extrusion Ring.

Maximum working pressure 3,000 psi (207 bar)
 Maximum proof pressure 4,500 psi (310 bar)
 Minimum burst pressure 12,000 psi (827 bar)

Operating temperature (BUNA/Nitrile)
 -20° to +200°F (-28° to 93°C)

Bladder for petroleum base oil. Shell ASME "U" stamped.
 Appendix 22 MAWP 4,000 psi (276 bar).
 Interchangeable with most other brands.

TOBUL ACCUMULATOR INCORPORATED

www.fst.com