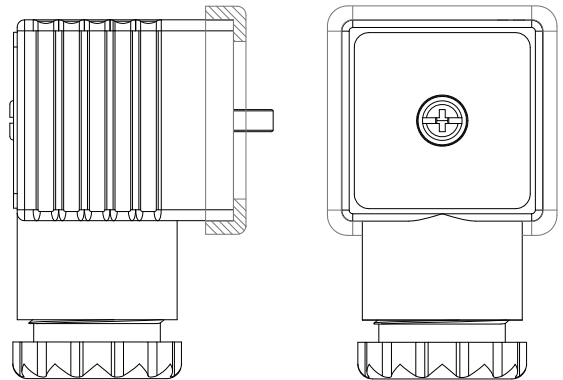
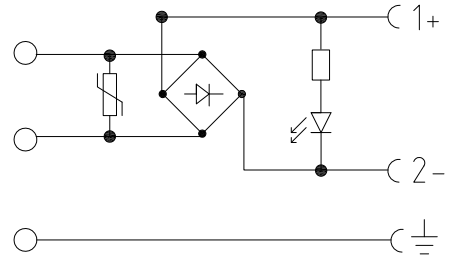
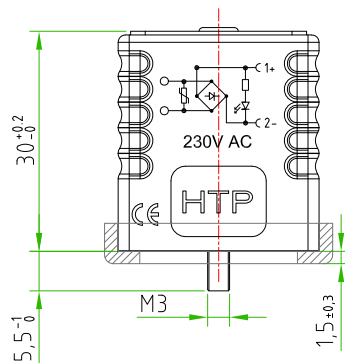
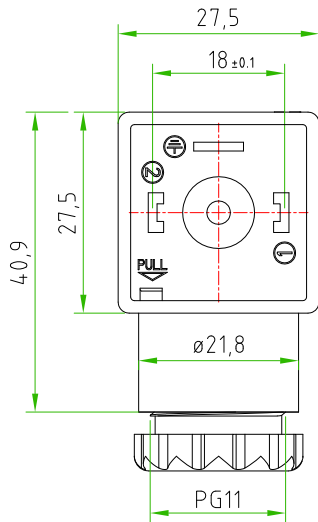
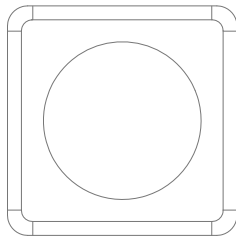


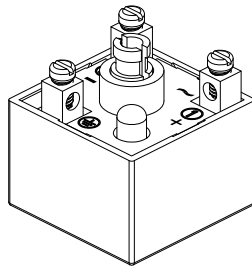
| | | | | |
|------|--------|------|-------|----------|
| Rev. | Modify | Date | Firma | Approved |
| | | | | |

| | | | | |
|------|--------|------|-------|----------|
| Rev. | Modify | Date | Firma | Approved |
| | | | | |

| | | | | |
|------|--------|------|--------|----------|
| Rev. | Modify | Date | Signed | Approved |
| | | | | |



! PAY ATTENTION:
MUST BE USED THE SPECIAL INTERNAL
CORE FOR ELECTRONIC WITH BRIDGE
RECTIFIER



CUSTOMER APPROVAL

SIGNATURE DATE

PLEASE SIGN
AND RETURN

| | |
|-------------------------------|--|
| PRODUCT TYPE | EN175301-803 FORM A FIELD ATTACHABLE. |
| HOUSING MATERIAL/COLOUR | PA66 /TRASPARENT |
| PRESS-CABLE MATERIAL/COLOUR | PA66 /BLACK |
| INTRENAL CORE MATERIAL/COLOUR | PA66 /BLACK |
| HEIGHT HOUSING | 30mm |
| CONTACTS SPACING | 18mm |
| CONTACTS TYPE | TOWER CONTACTS |
| NUMBER OF POLES | 2POLES+EARTH |
| EARTH POSITIONING | H.12 (TURNABLE) |
| CABLE EXIT | PG9/11 UNIFIED |
| SUITABLE CABLE | FROM ø6mm TO ø10mm |
| MAX.CONDUCTOR SIZE | 1,5mm ² |
| PROTECTION CLASS | IP67 |
| CIRCUIT TYPE | BRIDGE RECTIFIER(1A)+VARISTOR+RED LED N°1 VARISTOR: 05D391K N°1 BRIDGE RECTIFIER: DB107S N°1 UNIPOLAR RED LED |
| RATED VOLTAGE | 230V AC |
| CONNECTOR TEMPERATURE RANGE | from -40°C to +90°C |
| GASKET TYPE | PROFILED NBR |
| FIXING SCREW | M3X0,5 L=32,5mm |
| CONNECTOR WITH H.T.P. LOGO | |

| | | | | | | | | | | |
|----------|-------------|------|------------|-----------|------|--------|----|----------------|-----------------------|-------------------|
| Designer | CIMMINO L. | Date | 2018-05-08 | Tolerance | ±0,3 | Units: | mm | Series | EN175301-803 (form A) | Drawing n. 1-1 |
| Approved | SUGLIANI R. | Date | 2018-05-08 | Scale | 1:1 | Size: | A4 | Customer code: | | |

DESCRIPTION
SQUARE CONNECTOR EN175301-803 FORM A, FIELD ATTACHABLE, 2P. +PE,
WITH BRIDGE RECTIFIER+VARISTOR+UNIPOLAR RED LED, 230V AC,
TRASPARENT HOUSING, PG9/11 unified. CONNECTOR WITH H.T.P. LOGO.

H.T.P.PART NUMBER

G1TU2RL3



A4

