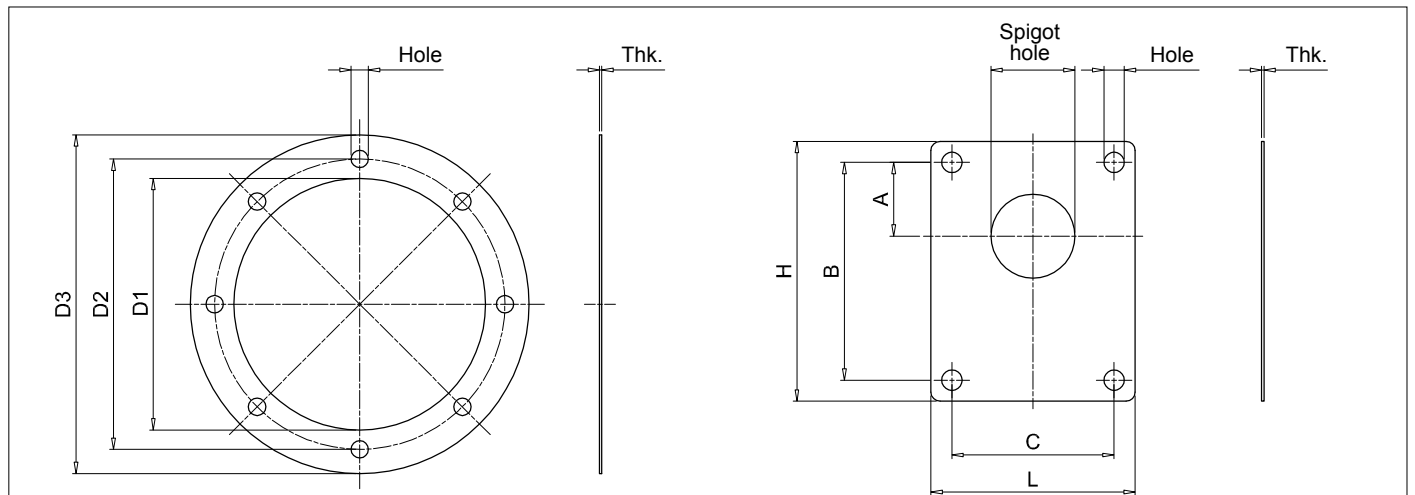


GASKET



Motor side gasket

Bell-housing size	Seals code	Dimensions [mm]				
		D1	D2	D3	Thk.	Hole
<b>LMG 120</b>	<b>GUM P 120</b>	84	100	120	1	7
<b>LMG 140</b>	<b>GUM P 140</b>	96	115	140	1	9
<b>LMG 160</b>	<b>GUM P 160</b>	110	130	160	1	9
<b>LMG 200</b>	<b>GUM P 200</b>	145	165	200	1	11
<b>LMG 250</b>	<b>GUM P 250</b>	190	215	250	1	14
<b>LMG 300</b>	<b>GUM P 300</b>	234	265	300	1	14
<b>LMG 350</b>	<b>GUM P 350</b>	260	300	350	1	18

Pump side gasket

Pump identification code	Seals code	Dimensions [mm]							
		PD	A	B	C	H	L	Thk.	Hole
<b>FS05M</b>	<b>GUP P001</b>	22.0	25.6	66	-	80	48	1	6.5
<b>FS100</b>	<b>GUP P002</b>	25.4	26.6	72	52.4	87	67	1	6.5
<b>FS1M0</b>	<b>GUP P003</b>	30.0	24.5	73	56.0	85	68	1	6.5
<b>FS200</b>	<b>GUP P004</b>	36.5	32.5	96	71.5	112	88	1	8.5
<b>FS300</b>	<b>GUP P005</b>	50.8	43.0	128	98.5	148	118	1	10.5
<b>FSZBR</b>	<b>GUP P013</b>	32.0	10.35	40	40.0	75	62	1	8.5
<b>FSZFR</b>	<b>GUP P014</b>	80.0	34.5	100	72.0	118	90	1	9.0