



+ GE3K

3-WAY HIGH PRESSURE BALL VALVES



CARBON STEEL

- Type: ball valve GE 3 way
- Body: block
- Material: 1,0737
- Ball seats: from DN4 up to DN25
- O-Rings: NBR
- Operating pressure: 500 Bar depending on valve size and seal materials selected
- Temp range: -20°C to +100°C depending on seal material selected

GE3K	G 1/2			DN13	2	1	1	1	A	B
Type and way of valve GE3 3-way	GAS DIN/ISO 228 BSP	NPT ANSI/ASME B1.20.1	SAE J1926-1	Nominal dimension	Body material	Adapter material	Stem material	Ball material	Ball seat material	Adapter and stem seal material
	G 1/8	N 1/8	SAE4	DN4	2 1,0737	1 1,0737	1 1,0737	1 1,0737	A POM	B NBR
	G 1/4	N 1/4	SAE6	DN6						
	G 3/8	N 3/8	SAE8	DN10						
	G 1/2	N 1/2	SAE12	DN13						
	G 3/4	N 3/4	SAE16	DN20						
	G 1	N 1	SAE20R	DN25						
	G 1 1/4 R	N 1 1/4 R	SAE24R							
	G 1 1/2 R	N 1 1/2 R								

STAINLESS STEEL

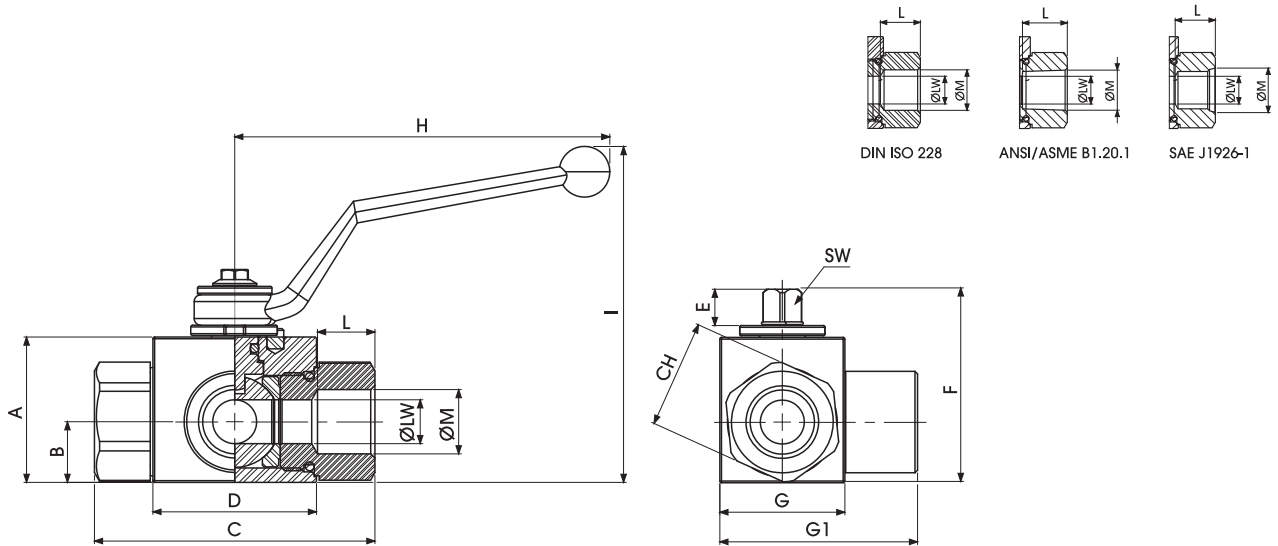
- Type: ball valve GE 3 way
- Body: block
- Material: 1,4404
- Ball seats: from DN4 up to DN25
- O-Rings: NBR
- Operating pressure: 500 Bar depending on valve size and seal materials selected
- Temp range: -30°C to +100°C different temperatures on request

GE3K	G 1/2			DN13	4	4	4	4	A	B
Type and way of valve GE3 3-way	GAS DIN/ISO 228 BSP	NPT ANSI/ASME B1.20.1	SAE J1926-1	Nominal dimension	Body material	Adapter material	Stem material	Ball material	Ball seat material	Adapter and stem seal material
	G 1/8	N 1/8	SAE4	DN4	4 1,4404	4 1,4404	4 1,4404	4 1,4404	A POM	B NBR
	G 1/4	N 1/4	SAE6	DN6						
	G 3/8	N 3/8	SAE8	DN10						
	G 1/2	N 1/2	SAE12	DN13						
	G 3/4	N 3/4	SAE16	DN20						
	G 1	N 1	SAE20R	DN25						
	G 1 1/4 R	N 1 1/4 R	SAE24R							
	G 1 1/2 R	N 1 1/2 R								



+ GE3K 3-WAY HIGH PRESSURE BALL VALVES

Specialist in Ball Valves



GE3K DIN/ISO 228 BSP

Standard

TYPE	PN	DN	A	B	C	D	E	F	G	G1	H	I	L	ØM	CH	SW	ØLW	KG	CARBON STEEL	STAINLESS STEEL
																			ITEM CODE	ITEM CODE
GE3K G 1/8	50 MPa	4	35	14,5	71	42,4	11	49	30	48,5	110	91,5	11	G 1/8	24	9	4	0,558	GK3GGT04011A000	GK3GGT04044A000
GE3K G 1/4	50 MPa	6	35	14,5	71	42,4	11	49	30	48,5	110	91,5	15,5	G 1/4	24	9	6	0,536	GK3GGT14011A000	GK3GGT14044A000
GE3K G 3/8	50 MPa	10	40	17,4	73	44,4	11	54,25	35	54,5	110	96,5	15,5	G 3/8	30	9	10	0,695	GK3GGT24011A000	GK3GGT24044A000
GE3K G 1/2	50 MPa	13	43	18	83	48,4	11	57	37	58,5	110	99,5	17	G 1/2	32	9	13	0,825	GK3GGT33011A000	GK3GGT33044A000
GE3K G 3/4	35/40 MPa	20	57	23,4	95	62,5	14	73,5	49	75	180	106,5	21	G 3/4	41	14	20	1,583	GK3GGT44011A000	GK3GGT43044A000
GE3K G 1	35 MPa	25	65	29,5	105	66,5	14	83,5	55	89	180	116,5	24	G 1	50	14	25	2,421	GK3GGT53011A000	GK3GGT53044A000
GE3K G 1 1/4 R	35 MPa	25	65	29,5	120	66,5	14	83,5	55	89	180	116,5	24	G 1 1/4	55	14	25	2,601	GK3GGR63011A000	GK3GGR63044A000
GE3K G 1 1/2 R	35 MPa	25	65	29,5	124	66,5	14	83,5	55	89	180	116,5	24	G 1 1/2	60	14	25	2,756	GK3GGR73011A000	GK3GGR73044A000

GE3K ANSI/ASME B1.20.1 NPT

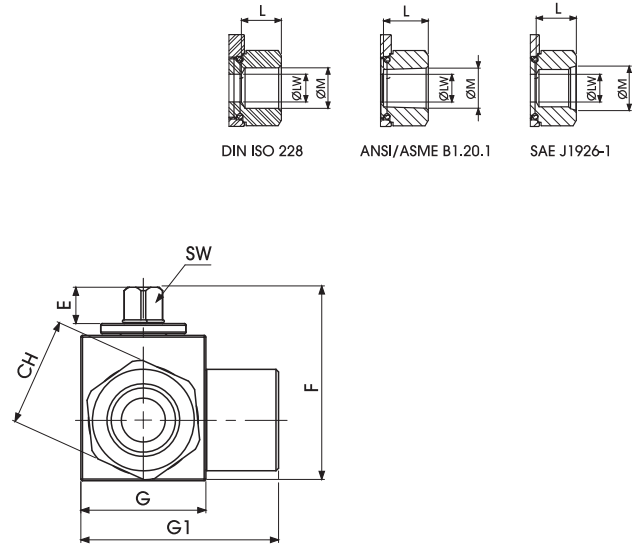
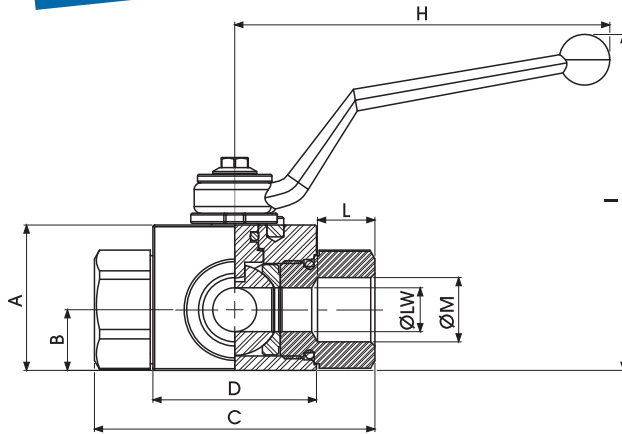
Standard

TYPE	PN	DN	A	B	C	D	E	F	G	G1	H	I	L	ØM	CH	SW	ØLW	KG	CARBON STEEL	STAINLESS STEEL
																			ITEM CODE	ITEM CODE
GE3K N 1/8	50 MPa	4	35	14,5	71	42,4	11	49	30	48,5	110	91,5	11	N 1/8	24	9	4	0,558	GK3NNT04011A000	GK3NNT04044A000
GE3K N 1/4	50 MPa	6	35	14,5	71	42,4	11	49	30	48,5	110	91,5	17	N 1/4	24	9	6	0,536	GK3NNT14011A000	GK3NNT14044A000
GE3K N 3/8	50 MPa	10	40	17,4	73	44,4	11	54,25	35	54,5	110	96,5	17	N 3/8	30	9	10	0,695	GK3NNT24011A000	GK3NNT24044A000
GE3K N 1/2	50 MPa	13	43	18	83	48,4	11	57	37	58,5	110	99,5	21	N 1/2	32	9	13	0,825	GK3NNT33011A000	GK3NNT33044A000
GE3K N 3/4	35/40 MPa	20	57	23,4	95	62,5	14	73,5	49	75	180	106,5	21	N 3/4	41	14	20	1,583	GK3NNT44011A000	GK3NNT43044A000
GE3K N 1	35 MPa	25	65	29,5	105	66,5	14	83,5	55	89	180	116,5	24	N 1	50	14	25	2,421	GK3NNT53011A000	GK3NNT53044A000
GE3K N 1 1/4 R	35 MPa	25	65	29,5	120	66,5	14	83,5	55	89	180	116,5	24	N 1 1/4	55	14	25	2,601	GK3NNR63011A000	GK3NNR63044A000
GE3K N 1 1/2 R	35 MPa	25	65	29,5	124	66,5	14	83,5	55	89	180	116,5	24	N 1 1/2	60	14	25	2,756	GK3NNR73011A000	GK3NNR73044A000

+ GE3K 3-WAY HIGH PRESSURE BALL VALVES

www.gemels.it

ON REQUEST



GE3K SAE J1926-1

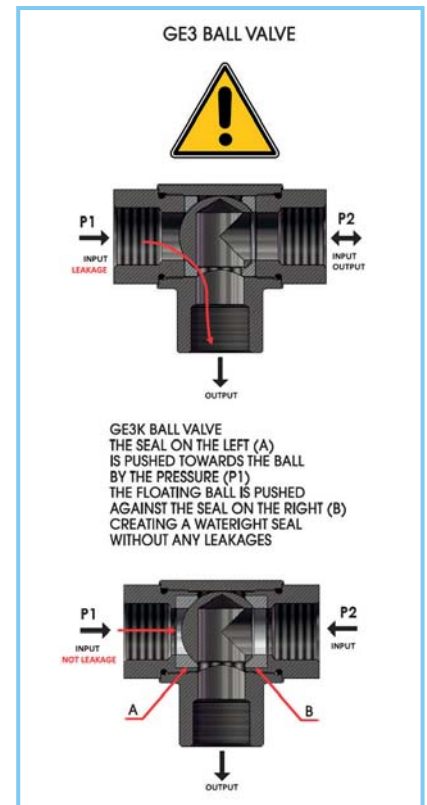
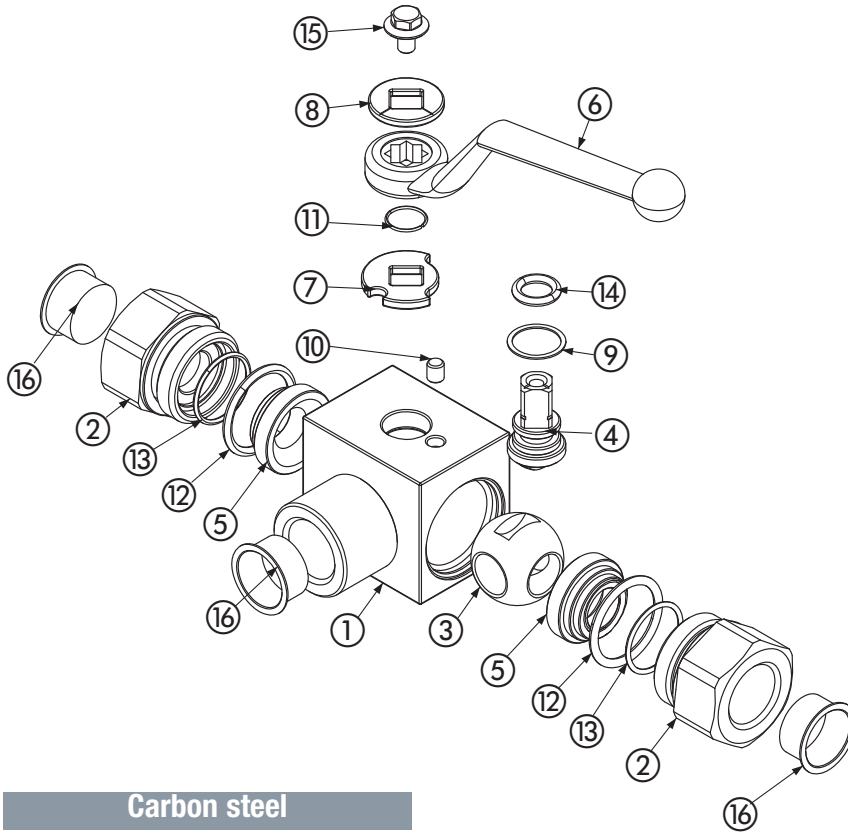
Standard

TYPE	PN	DN	A	B	C	D	E	F	G	G1	H	I	L	ØM	CH	SW	ØLW	KG	CARBON STEEL	STAINLESS STEEL
																			ITEM CODE	ITEM CODE
GE3K SAE4	50 MPa	6	35	14,5	71	42,4	11	49	30	48,5	110	91,5	15,5	7/16 UNF	24	9	6	0,536	GK3EEE04011A000	GK3EEE04044A000
GE3K SAE6	50 MPa	10	40	17,4	73	44,4	11	54,25	35	54,5	110	96,5	16	9/16 UNF	30	9	10	0,695	GK3EEE14011A000	GK3EEE14044A000
GE3K SAE8	50 MPa	13	43	18	83	48,4	11	57	37	58,5	110	99,5	17,5	3/4 UNF	32	9	13	0,825	GK3EEE23011A000	GK3EEE23044A000
GE3K SAE12	35/40 MPa	20	57	23,4	95	62,5	14	73,5	49	75	180	106,5	23	1 1/16 UNF	41	14	20	1,583	GK3EEE34011A000	GK3EEE34044A000
GE3K SAE16	35 MPa	25	65	29,5	105	66,5	14	83,5	55	89	180	116,5	23	1 5/16 UNF	50	14	25	2,421	GK3EEE43011A000	GK3EEE43044A000
GE3K SAE20R	35 MPa	25	65	29,5	120	66,5	14	83,5	55	89	180	116,5	23	1 5/8 UNF	55	14	25	2,601	GK3EEE53011A000	GK3EEE53044A000
GE3K SAE24R	35 MPa	25	65	29,5	124	66,5	14	83,5	55	89	180	116,5	23	1 7/8 UNF	60	14	25	2,756	GK3EEE63011A000	GK3EEE63044A000

+ GE3K 3-WAY HIGH PRESSURE BALL VALVES

www.gemels.it

2017 - Edition 3



Carbon steel			
Pos	Description	Material	Q.tà
1	Body	1,0737	1
2	Adapter	1,0737	2
3	Ball	1,0737	1
4	Stem	1,0737	1
5	Ball seat	POM	2
6	Handle	ZINC	1
7	Washer	1,0116	1
8	Washer	1,0116	1
9	Stem ring	POM	1
10	Spine	1,0737	1
11	Seeger	1,4301	1
12	Adapter o-ring	NBR	2
13	Seal o-ring	NBR	2
14	Stem o-ring	NBR	1
15	Screw	Din 6921 8.8	1
16	Caps	PVC	3

Stainless steel			
Pos	Description	Material	Q.tà
1	Body	1,4404	1
2	Adapter	1,4404	2
3	Ball	1,4404	1
4	Stem	1,4404	1
5	Ball seat	POM	2
6	Handle	ZINC	1
7	Washer	1,0116	1
8	Washer	1,4301	1
9	Stem ring	POM	1
10	Spine	1,4301	1
11	Seeger	1,4301	1
12	Adapter o-ring	NBR	2
13	Seal o-ring	NBR	2
14	Stem o-ring	NBR	1
15	Screw	Din 6921 A2	1
16	Caps	PVC	3

For further special requests please consult our technical/commercial service

- On request**
- Reduced bore
 - O-Ring in FKM, EPDM, HNBR, KALREZ
 - Seals in PTFE, PEEK, PA612, GEMPTFE, METAL TO METAL
 - Special threads
 - Stem in stainless steel 1,4404
 - Ball in stainless steel 1,4404
 - Pressure class up to PN40 MPa
 - Pneumatic and electrical actuator
 - Security block
 - Locking device

- On request**
- Reduced bore
 - O-Ring in FKM, EPDM, HNBR, KALREZ
 - Seals in PTFE, PEEK, PA612, GEMPTFE, METAL TO METAL
 - Special threads
 - Pressure class up to PN40 MPa
 - Pneumatic and electrical actuator
 - Security block
 - Locking device

"The company reserves the right to operate dimensional changes without prior notice".