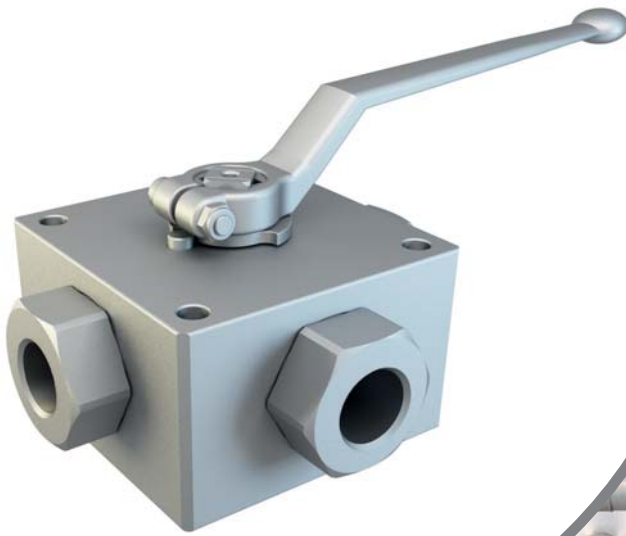




+ G4K

4-WAY HIGH PRESSURE BALL VALVES



G4K

CARBON STEEL

- Type: ball valve G4K 4 way
- Body: square
- Material: 1,0570/1,0737
- Ball seats: from DN6 up to DN25
- O-Rings: NBR
- Operating pressure: 500 Bar depending on valve size and seal materials selected
- Temp range: -20°C to +100°C depending on seal material selected

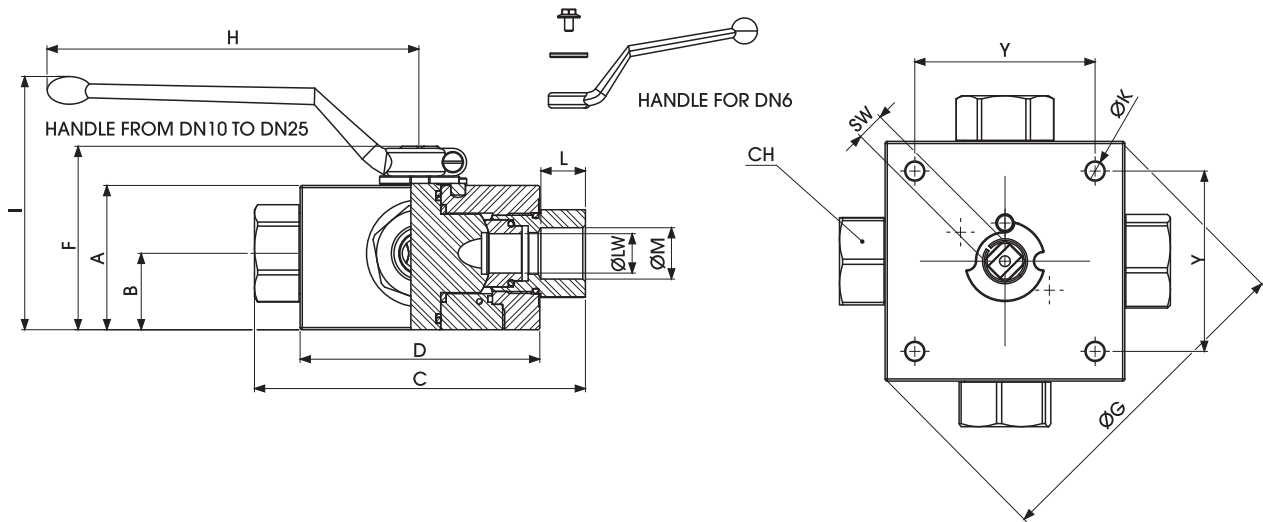
G4K	K01	G 1/4		DN6	1	1	1	1	A	B
Type and way of valve	Type of way	GAS DIN/ISO 228 BSP	NPT ANSI/ASME B1.20.1	Nominal dimension	Body material	Adapter material	Stem material	Ball material	Ball seat material	Adapter and stem seal material
G4K 4-way	L K01	G 1/4	N 1/4	DN6	1 1,0737	1 1,0737	1 1,0737	1 1,0737	A POM	B NBR
	T K13	G 3/8	N 3/8	DN10						
	X K14	G 1/2	N 1/2	DN13						
		G 3/4	N 3/4	DN20						
		G 1	N 1	DN25						
		G 1 1/4 R	N 1 1/4 R							
	G 1 1/2 R	N 1 1/2 R								



+ G4K

4-WAY HIGH PRESSURE BALL VALVES

Specialist in Ball Valves



G4K DIN ISO 228 BSP

Standard

TYPE	PN	DN	A	B	C	D	E	F	ØG	H	I	L	ØM	CH	ØK	Y	SW	LW	KG
G4K G 1/4	50 MPa	6	42	21,5	100	70	11	56,5	-	110	97,5	15,5	G 1/4	24	6,5	55	9	6	1,767
G4K G 3/8	50 MPa	10	53	28,5	115	80	14	71,5	-	180	101	15,5	G 3/8	30	6,5	65	14	10	3,018
G4K G 1/2	40 MPa	13	62	33	136	100	14	80,5	-	180	110	17	G 1/2	41	8,5	80	14	13	5,247
G4K G 3/4	35 MPa	20	68	36	156	113	14	86,5	-	300	116,5	21	G 3/4	41	8,5	85	14	20	6,898
G4K G 1	35 MPa	25	82	47,5	181	118	14	100,5	138	300	130,5	24	G 1	50	8,5	85	14	25	9,005
G4K G 1 1/4 R	35 MPa	25	82	47,5	181	118	14	100,5	138	300	130,5	24	G 1 1/4	55	8,5	85	14	25	8,989
G4K G 1 1/2 R	35 MPa	25	82	47,5	181	118	14	100,5	138	300	130,5	24	G 1 1/2	60	8,5	85	14	25	9,213

G4K ANSI/ASME B1.20.1 NPT

Standard

TYPE	PN	DN	A	B	C	D	E	F	ØG	H	I	L	ØM	CH	ØK	Y	SW	LW	KG
G4K N 1/4	50 MPa	6	42	21,5	100	70	11	56,5	-	110	97,5	15,5	N 1/4	24	6,5	55	9	6	1,767
G4K N 3/8	50 MPa	10	53	28,5	115	80	14	71,5	-	180	101	15,5	N 3/8	30	6,5	65	14	10	3,018
G4K N 1/2	40 MPa	13	62	33	136	100	14	80,5	-	180	110	17	N 1/2	41	8,5	80	14	13	5,247
G4K N 3/4	35 MPa	20	68	36	156	113	14	86,5	-	300	116,5	21	N 3/4	41	8,5	85	14	20	6,898
G4K N 1	35 MPa	25	82	47,5	181	118	14	100,5	138	300	130,5	24	N 1	50	8,5	85	14	25	9,005
G4K N 1 1/4 R	35 MPa	25	82	47,5	181	118	14	100,5	138	300	130,5	24	N 1 1/4	55	8,5	85	14	25	8,989
G4K N 1 1/2 R	35 MPa	25	82	47,5	181	118	14	100,5	138	300	130,5	24	N 1 1/2	60	8,5	85	14	25	9,213

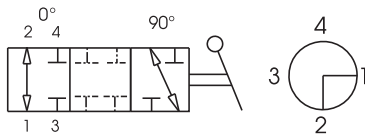
+ G4K

4-WAY HIGH PRESSURE BALL VALVES

www.gemels.it

Standard schemes

L scheme G4 K01



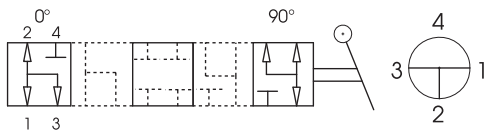
G4K DIN ISO 228 BSP Standard

CARBON STEEL	
ØLW-K01	ITEM CODE G4K01
6	G24GGT15011A000
10	G24GGT25011A000
13	G24GGT34011A000
19	G24GGT43011A000
23	G24GGT53011A000
23	G24GGR63011A000
23	G24GGR73011A000

G4K ANSI/ASME B1.20.1 NPT Standard

CARBON STEEL	
ØLW-K01	ITEM CODE G4K01
6	G24NNT15011A000
10	G24NNT25011A000
13	G24NNT34011A000
19	G24NNT43011A000
23	G24NNT53011A000
23	G24NNR63011A000
23	G24NNR73011A000

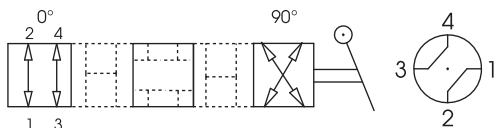
T scheme G4 K13



ØLW-K13	ITEM CODE G4K13
6	G2DGGT15011A000
10	G2DGGT25011A000
13	G2DGGT34011A000
19	G2DGGT43011A000
23	G2DGGT53011A000
23	G2DGGR63011A000
23	G2DGGR73011A000

ØLW-K13	ITEM CODE G4K13
6	G2DNNT15011A000
10	G2DNNT25011A000
13	G2DNNT34011A000
19	G2DNNT43011A000
23	G2DNNT53011A000
23	G2DNNR63011A000
23	G2DNNR73011A000

X scheme G4 K14



ØLW-K14	ITEM CODE G4K14
5	G2EGGT15011A000
7	G2EGGT25011A000
10	G2EGGT34011A000
15	G2EGGT43011A000
17	G2EGGT53011A000
17	G2EGGR63011A000
17	G2EGGR73011A000

ØLW-K14	ITEM CODE G4K14
5	G2ENNT15011A000
7	G2ENNT25011A000
10	G2ENNT34011A000
15	G2ENNT43011A000
17	G2ENNT53011A000
17	G2ENNR63011A000
17	G2ENNR73011A000

Special schemes on request

G4 K15		G4 K18		G4 K23	
G4 K16		G4 K19		G4 K24	
G4 K17		G4 K20		G4 K25	
		G4 K21		G4 K26	
		G4 K22		G4 K27	

"The company reserves the right to operate dimensional changes without prior notice".

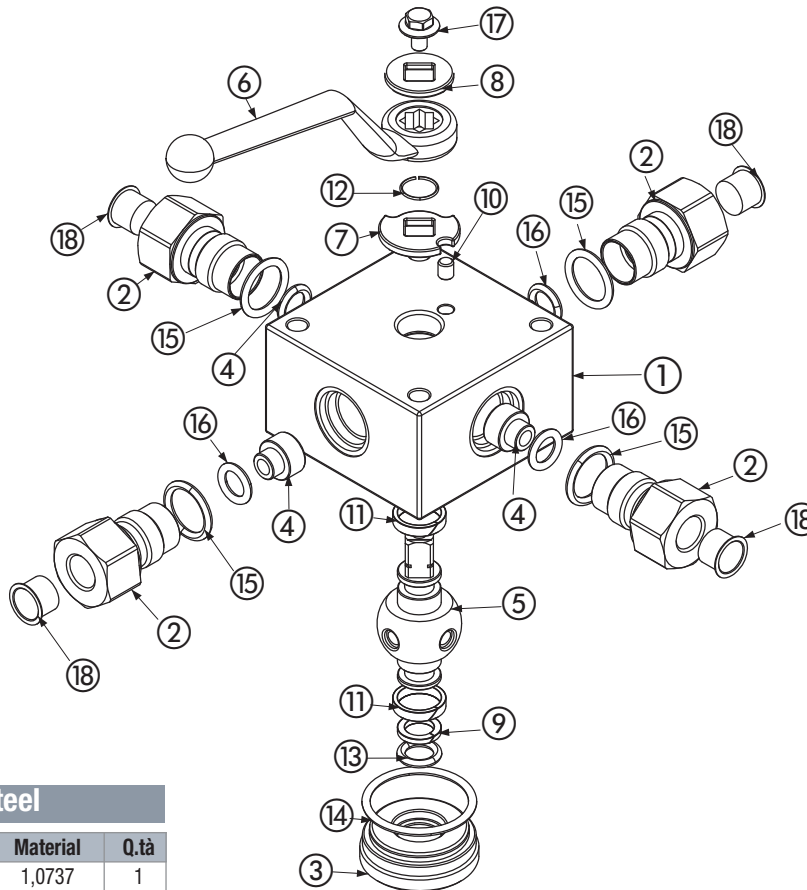


+ G4K

4-WAY HIGH PRESSURE BALL VALVES

www.gemels.it

2017 - Edition 2



Carbon steel

Pos	Description	Material	Q.tà
1	Body	1,0737	1
2	Adapter	1,0737	4
3	Stemball adapter	1,0737	1
4	Ball Seat	POM	4
5	Ball stem	1,0737	1
6	Handle	ZINC	1
7	Washer	1,0116	1
8	Washer	1,0116	1
9	Stemball ring	PTFE	2
10	Spine	1,0737	1
11	Body ring	PTFE	2
12	Seeger	1,4301	1
13	Stemball o-ring	NBR	2
14	Body o-ring	NBR	1
15	Adapter o-ring	NBR	4
16	Seal o-ring	NBR	4
17	Screw	DIN 6921 8.8	1
18	Caps	PVC	4

For further special requests please consult our technical/commercial service

On request

- Reduced bore
- O-Ring in FKM, EPDM, HNBR, KALREZ
- Seals in PTFE, PEEK, PA612, GEMPTFE, METAL TO METAL
- Special threads
- Pressure class up to PN50 MPa
- Pneumatic and electrical actuator
- Locking device