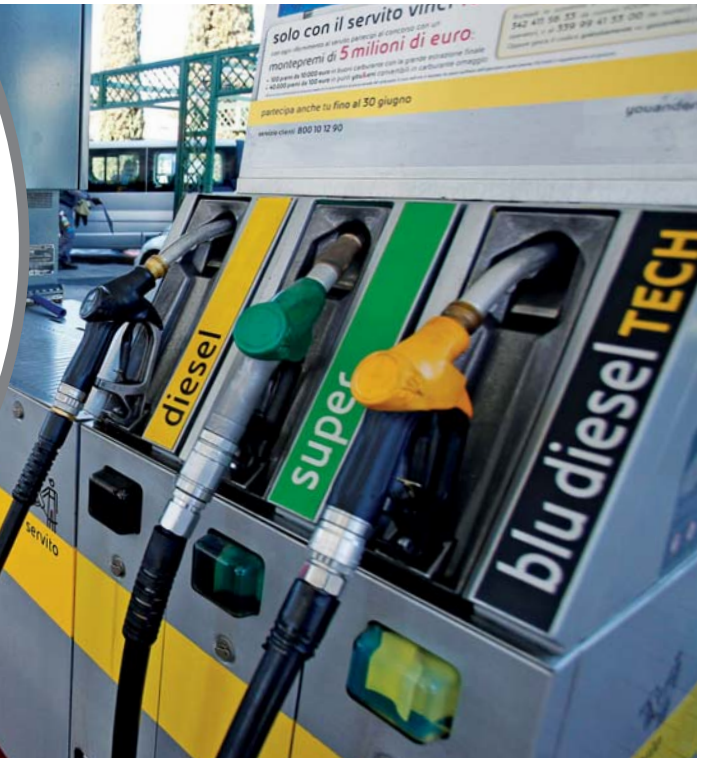
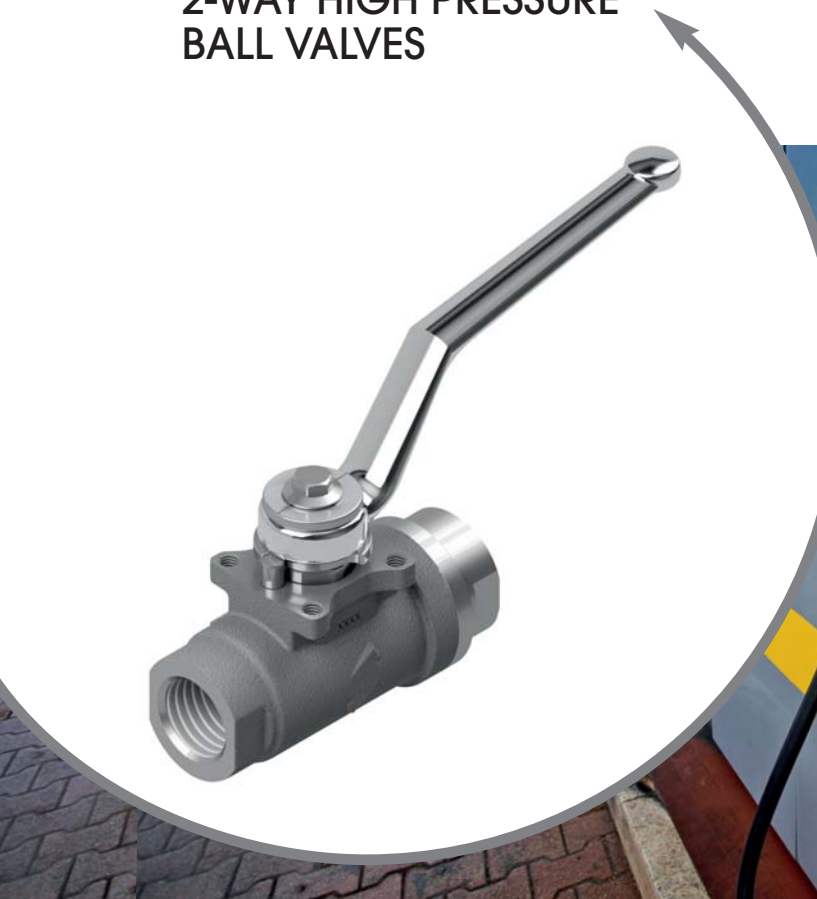




# + GM1

## 2-WAY HIGH PRESSURE BALL VALVES



### CARBON STEEL

- Type: ball valve GM1 2way
- Body: round
- Material: 1,0570/1,4404
- Ball seats: from DN6 up to DN25
- O-Rings: FKM, EPDM, MVQ
- Operating pressure: 50 Bar to 500 Bar S800 to S6000 PN depending on valve size and seal materials selected
- Fire safe BS 6755
- Antistatic device
- Temp range: -46°C to +250°C depending on seal material selected

#### GM1

#### G 1/2

#### DN13

#### LF2

#### 316L POM

#### B

Type and way of valve	GAS DIN/ISO 228 BSP	NPT ANSI/ASME B1.20.1	Nominal dimension	Body and adapter material	Stem and ball material	Ball seat material	Adapter and stem seal material
GM1 2-way	G 1/4 G 3/8 G 1/2 G 3/4 G 1	N 1/4 N 3/8 N 1/2 N 3/4 N 1	DN6 DN10 DN13 DN20 DN25	LF2 1,0570	316L 1,4404	A POM D PEEK C PTFE	E FKM F EPDM L MVQ

### STAINLESS STEEL

- Type: ball valve GM1 2way
- Body: round
- Material: 1,4404
- Ball seats: from DN6 up to DN25
- O-Rings: FKM, EPDM, MVQ
- Operating pressure: 50 Bar to 500 Bar S800 to S6000 PN depending on valve size and seal materials selected
- Fire safe BS 6755
- Antistatic device
- Temp range: -30°C to +100°C different temperatures on request

#### GM1

#### G 1/2

#### DN13

#### 316L

#### 316L POM

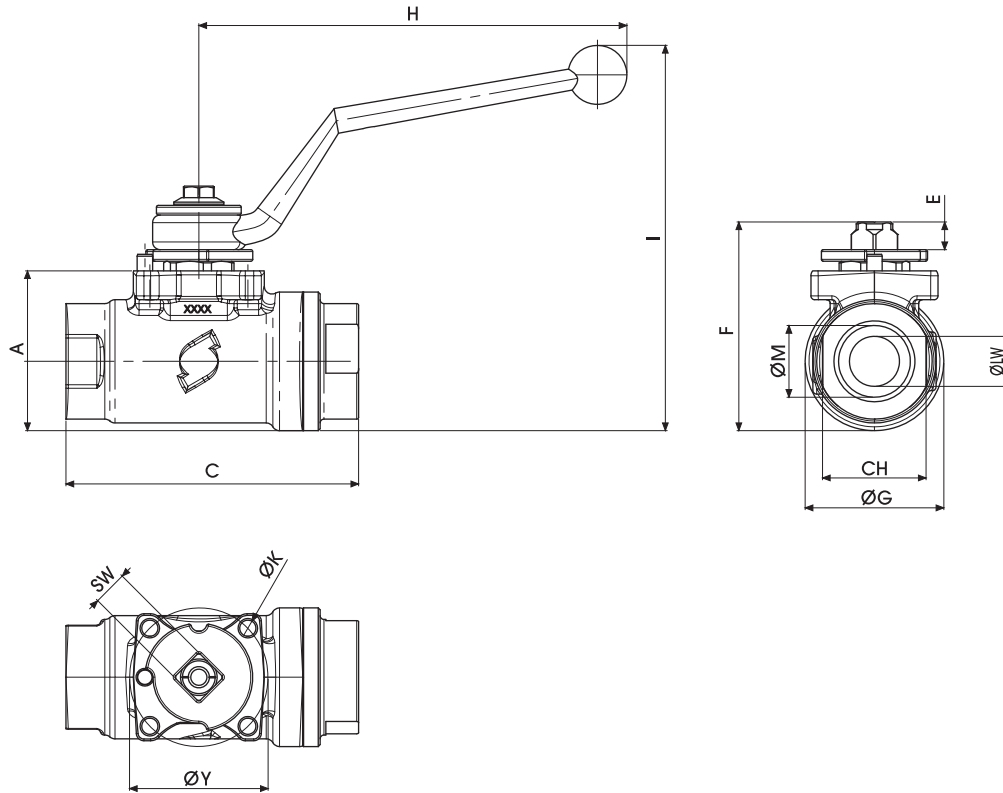
#### B

Type and way of valve	GAS DIN/ISO 228 BSP	NPT ANSI/ASME B1.20.1	Nominal dimension	Body and adapter material	Stem and ball material	Ball seat material	Adapter and stem seal material
GM1 2-way	G 1/4 G 3/8 G 1/2 G 3/4 G 1	N 1/4 N 3/8 N 1/2 N 3/4 N 1	DN6 DN10 DN13 DN20 DN25	316L 1,4404	316L 1,4404	A POM D PEEK C PTFE	E FKM F EPDM L MVQ



# + GM1 2-WAY HIGH PRESSURE BALL VALVES

Specialist in Ball Valves



## GM1 DIN/ISO 228 BSP

Standard

TYPE	DN	A	C	E	F	ØG	H	I	L	ØK	ØY	ØM	CH	SW	ØLW	KG
GM1 G 1/4	6	42	81	8	57	36	102,5	100	17	M5	36	G 1/4	27	9	6	0,50
GM1 G 3/8	10	42	81	8	57	36	102,5	100	17	M5	36	G 3/8	27	9	10	0,50
GM1 G 1/2	13	42	81	8	57	36	102,5	100	17	M5	36	G 1/2	27	9	13	0,50
GM1 G 3/4	20	60	98	14	83	49	180	115	21	M6	50	G 3/4	35	14	20	1,45
GM1 G 1	25	68	106	14	91	59	180	123	24	M6	50	G 1	42	14	25	1,98

(POM seal)

GM1 DIN/ISO 228 PN

DN	PN	ITEM CODE	
		CARBON STEEL	STAINLESS STEEL
6	500	GM1GGT15024B000	GM1GGT15044B000
10	500	GM1GGT25024B000	GM1GGT25044B000
13	500	GM1GGT35024B000	GM1GGT35044B000
20	400	GM1GGT44024B000	GM1GGT44044B000
25	350	GM1GGT53024B000	GM1GGT53044B000

(POM seal)

GM1 DIN/ISO 228 S3000

DN	PN	ITEM CODE	
		CARBON STEEL	STAINLESS STEEL
6	S3000	GM1GGT1F024B000	GM1GGT1F044B000
10	S3000	GM1GGT2F024B000	GM1GGT2F044B000
13	S3000	GM1GGT3F024B000	GM1GGT3F044B000
20	S3000	GM1GGT4F024B000	GM1GGT4F044B000
25	S3000	GM1GGT5F024B000	GM1GGT5F044B000

(POM seal)

GM1 DIN/ISO 228 S6000

DN	PN	ITEM CODE	
		CARBON STEEL	STAINLESS STEEL
6	S6000	GM1GGT1G024B000	GM1GGT1G044B000
10	S6000	GM1GGT2G024B000	GM1GGT2G044B000
13	S6000	GM1GGT3G024B000	GM1GGT3G044B000
20	S6000	GM1GGT4G024B000	GM1GGT4G044B000
25	S6000	GM1GGT5G024B000	GM1GGT5G044B000

(PTFE seal)

GM1 DIN/ISO 228 S800

DN	PN	ITEM CODE	
		CARBON STEEL	STAINLESS STEEL
6	S800	GM1GGT1A024G000	GM1GGT1A044G000
10	S800	GM1GGT2A024G000	GM1GGT2A044G000
13	S800	GM1GGT3A024G000	GM1GGT3A044G000
20	S800	GM1GGT4A024G000	GM1GGT4A044G000
25	S800	GM1GGT5A024G000	GM1GGT5A044G000

(GEMPTFE seal)

GM1 DIN/ISO 228 S3000

DN	PN	ITEM CODE	
		CARBON STEEL	STAINLESS STEEL
6	S3000	GM1GGT1F024I000	GM1GGT1F044I000
10	S3000	GM1GGT2F024I000	GM1GGT2F044I000
13	S3000	GM1GGT3F024I000	GM1GGT3F044I000
20	S3000	GM1GGT4F024I000	GM1GGT4F044I000
25	S3000	GM1GGT5F024I000	GM1GGT5F044I000

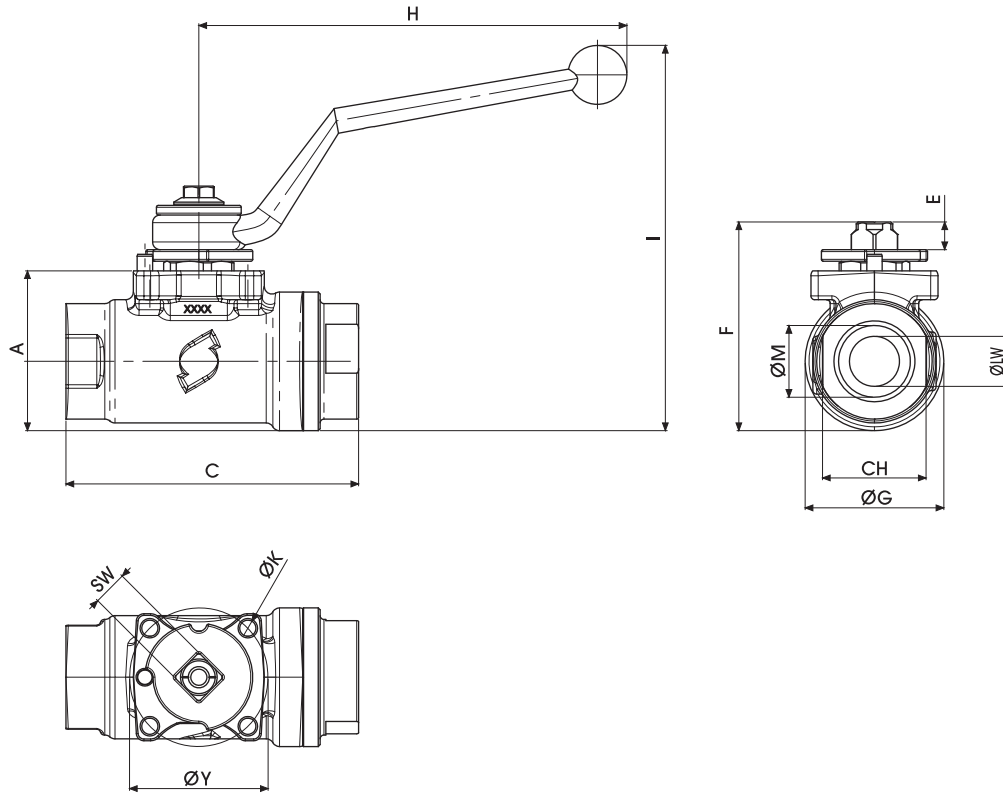
(PEEK seal)

GM1 DIN/ISO 228 S6000

DN	PN	ITEM CODE	
		CARBON STEEL	STAINLESS STEEL
6	S6000	GM1GGT1G024N000	GM1GGT1G044N000
10	S6000	GM1GGT2G024N000	GM1GGT2G044N000
13	S6000	GM1GGT3G024N000	GM1GGT3G044N000
20	S6000	GM1GGT4G024N000	GM1GGT4G044N000
25	S6000	GM1GGT5G024N000	GM1GGT5G044N000

# + GM1 2-WAY HIGH PRESSURE BALL VALVES

www.gemels.it



## GM1 ANSI/ASME B1.20.1 NPT

Standard

TYPE	DN	A	C	E	F	ØG	H	I	L	ØK	ØY	ØM	CH	SW	ØLW	KG
GM1 N 1/4	6	42	81	8	57	36	102,5	100	17	M5	36	N 1/4	27	9	6	0,50
GM1 N 3/8	10	42	81	8	57	36	102,5	100	17	M5	36	N 3/8	27	9	10	0,50
GM1 N 1/2	13	42	81	8	57	36	102,5	100	17	M5	36	N 1/2	27	9	13	0,50
GM1 N 3/4	20	60	98	14	83	49	180	115	21	M6	50	N 3/4	35	14	20	1,45
GM1 N 1	25	68	106	14	91	59	180	123	24	M6	50	N 1	42	14	25	1,98

### (POM seal) GM1 ANSI/ASME B1.20.1 NPT PN

DN	PN	CARBON STEEL		STAINLESS STEEL	
		ITEM CODE	ITEM CODE	ITEM CODE	ITEM CODE
6	500	GM1NNT15024B000	GM1NNT15044B000	GM1NNT15024G000	GM1NNT15044G000
10	500	GM1NNT25024B000	GM1NNT25044B000	GM1NNT25024G000	GM1NNT25044G000
13	500	GM1NNT35024B000	GM1NNT35044B000	GM1NNT35024G000	GM1NNT35044G000
20	400	GM1NNT44024B000	GM1NNT44044B000	GM1NNT44024G000	GM1NNT44044G000
25	350	GM1NNT53024B000	GM1NNT53044B000	GM1NNT53024G000	GM1NNT53044G000

### (POM seal) GM1 ANSI/ASME B1.20.1 NPT S3000

DN	PN	CARBON STEEL		STAINLESS STEEL	
		ITEM CODE	ITEM CODE	ITEM CODE	ITEM CODE
6	S3000	GM1NNT1F024B000	GM1NNT1F044B000	GM1NNT1F024I000	GM1NNT1F044I000
10	S3000	GM1NNT2F024B000	GM1NNT2F044B000	GM1NNT2F024I000	GM1NNT2F044I000
13	S3000	GM1NNT3F024B000	GM1NNT3F044B000	GM1NNT3F024I000	GM1NNT3F044I000
20	S3000	GM1NNT4F024B000	GM1NNT4F044B000	GM1NNT4F024I000	GM1NNT4F044I000
25	S3000	GM1NNT5F024B000	GM1NNT5F044B000	GM1NNT5F024I000	GM1NNT5F044I000

### (POM seal) GM1 ANSI/ASME B1.20.1 NPT S6000

DN	PN	CARBON STEEL		STAINLESS STEEL	
		ITEM CODE	ITEM CODE	ITEM CODE	ITEM CODE
6	S6000	GM1NNT1G024B000	GM1NNT1G044B000	GM1NNT1G024N000	GM1NNT1G044N000
10	S6000	GM1NNT2G024B000	GM1NNT2G044B000	GM1NNT2G024N000	GM1NNT2G044N000
13	S6000	GM1NNT3G024B000	GM1NNT3G044B000	GM1NNT3G024N000	GM1NNT3G044N000
20	S6000	GM1NNT4G024B000	GM1NNT4G044B000	GM1NNT4G024N000	GM1NNT4G044N000
25	S6000	GM1NNT5G024B000	GM1NNT5G044B000	GM1NNT5G024N000	GM1NNT5G044N000

### (PTFE seal) GM1 ANSI/ASME B1.20.1 NPT S800

DN	PN	CARBON STEEL		STAINLESS STEEL	
		ITEM CODE	ITEM CODE	ITEM CODE	ITEM CODE
6	500	GM1NNT1A024G000	GM1NNT1A044G000	GM1NNT1A024I000	GM1NNT1A044I000
10	500	GM1NNT2A024G000	GM1NNT2A044G000	GM1NNT2A024I000	GM1NNT2A044I000
13	500	GM1NNT3A024G000	GM1NNT3A044G000	GM1NNT3A024I000	GM1NNT3A044I000
20	400	GM1NNT4A024G000	GM1NNT4A044G000	GM1NNT4A024I000	GM1NNT4A044I000
25	350	GM1NNT5A024G000	GM1NNT5A044G000	GM1NNT5A024I000	GM1NNT5A044I000

### (GEMPTFE seal) GM1 ANSI/ASME B1.20.1 NPT S3000

DN	PN	CARBON STEEL		STAINLESS STEEL	
		ITEM CODE	ITEM CODE	ITEM CODE	ITEM CODE
6	S3000	GM1NNT1F024I000	GM1NNT1F044I000	GM1NNT1F024I000	GM1NNT1F044I000
10	S3000	GM1NNT2F024I000	GM1NNT2F044I000	GM1NNT2F024I000	GM1NNT2F044I000
13	S3000	GM1NNT3F024I000	GM1NNT3F044I000	GM1NNT3F024I000	GM1NNT3F044I000
20	S3000	GM1NNT4F024I000	GM1NNT4F044I000	GM1NNT4F024I000	GM1NNT4F044I000
25	S3000	GM1NNT5F024I000	GM1NNT5F044I000	GM1NNT5F024I000	GM1NNT5F044I000

### (PEEK seal) GM1 ANSI/ASME B1.20.1 NPT S6000

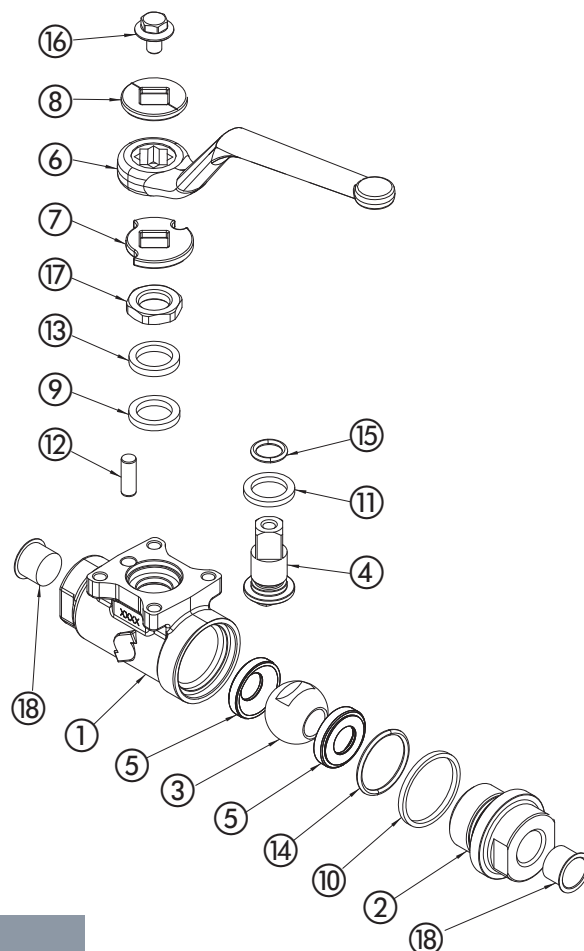
DN	PN	CARBON STEEL		STAINLESS STEEL	
		ITEM CODE	ITEM CODE	ITEM CODE	ITEM CODE
6	S6000	GM1NNT1G024N000	GM1NNT1G044N000	GM1NNT1G024N000	GM1NNT1G044N000
10	S6000	GM1NNT2G024N000	GM1NNT2G044N000	GM1NNT2G024N000	GM1NNT2G044N000
13	S6000	GM1NNT3G024N000	GM1NNT3G044N000	GM1NNT3G024N000	GM1NNT3G044N000
20	S6000	GM1NNT4G024N000	GM1NNT4G044N000	GM1NNT4G024N000	GM1NNT4G044N000
25	S6000	GM1NNT5G024N000	GM1NNT5G044N000	GM1NNT5G024N000	GM1NNT5G044N000

\*The company reserves the right to operate dimensional changes without prior notice\*.

# + GM1 2-WAY HIGH PRESSURE BALL VALVES

www.gemels.it

2017 - Edition 3



## Carbon steel

Pos	Description	Material	Q.tà
1	Body	1,0570	1
2	Adapter	1,0570	2
3	Ball	1,4404	1
4	Stem	1,4404	1
5	Ball Seat	PTFE	2
6	Handle	1,0116	1
7	Washer	1,4301	1
8	Washer	1,4301	1
9	Body ring	GRAPHITE	1
10	Adapter ring	GRAPHITE	2
11	Stem ring	PTFE	2
12	Spine	1,4301	1
13	Press ring	1,4301	1
14	Adapter o-ring	NBR	2
15	Stem o-ring	NBR	1
16	Screw	DIN6921 A2	1
17	Nut	1,4301	1
18	Caps	PVC	2

- On request**
- Reduced bore
  - O-Ring in EPDM, HNBR, KALREZ
  - Seals in PTFE, PEEK, PA612, GEMPTFE, METAL TO METAL
  - Special threads
  - Pressure class up to PN500 or 6000 Psi
  - Locking device

*For further special requests please consult our technical/commercial service*

## Stainless steel

Pos	Description	Material	Q.tà
1	Body	1,4404	1
2	Adapter	1,4404	2
3	Ball	1,4404	1
4	Stem	1,4404	1
5	Ball Seat	PTFE	2
6	Handle	1,0116	1
7	Washer	1,4301	1
8	Washer	1,4301	1
9	Body ring	GRAPHITE	1
10	Adapter ring	GRAPHITE	2
11	Stem ring	PTFE	2
12	Spine	1,4301	1
13	Press ring	1,4301	1
14	Adapter o-ring	NBR	2
15	Stem o-ring	NBR	1
16	Screw	DIN6921 A2	1
17	Nut	1,4301	1
18	Caps	PVC	2

- On request**
- Reduced bore
  - O-Ring in EPDM, HNBR, KALREZ
  - Seals in PTFE, PEEK, PA612, GEMPTFE, METAL TO METAL
  - Special threads
  - Pressure class up to PN500 or 6000 Psi
  - Locking device