



# + GN

## 2-WAY HIGH PRESSURE BALL VALVES



### CARBON STEEL

- Type: ball valve GN 2way
- Body: round
- Material: 1,0570/1,4404
- Ball seats: from DN6 up to DN50
- O-Rings: NBR, FKM, EPDM, MVQ
- Operating pressure: 350 Bar to 500 Bar S6000 PN depending on valve size and seal materials selected
- Fire safe BS 6755
- Antistatic device
- Temp range: -46°C to +250°C depending on seal material selected

#### GN

#### G 1/2

#### DN13

#### LF2

#### 316L

#### POM

#### B

| Type and way of valve | GAS<br>DIN/ISO<br>228 BSP | NPT<br>ANSI/ASME<br>B1.20.1 | SW       | SW<br>EXTRALONG | PE       | Nominal<br>dimension | Body and<br>adapter<br>material | Stem and<br>ball<br>material | Ball seat<br>material | Adapter and<br>stem seal<br>material |
|-----------------------|---------------------------|-----------------------------|----------|-----------------|----------|----------------------|---------------------------------|------------------------------|-----------------------|--------------------------------------|
| GN 2-way              | G 1/4                     | N 1/4                       | SW 1/4   | SWXT 1/4        | PE 1/4   | DN6                  |                                 |                              | A POM                 | B NBR                                |
|                       | G 3/8                     | N 3/8                       | SW 3/8   | SWXT 3/8        | PE 3/8   | DN10                 | LF2 1,0570                      | 316L 1,4404                  | D PEEK                | E FKM                                |
|                       | G 1/2                     | N 1/2                       | SW 1/2   | SWXT 1/2        | PE 1/2   | DN13                 |                                 |                              |                       | F EPDM                               |
|                       | G 3/4                     | N 3/4                       | SW 3/4   | SWXT 3/4        | PE 3/4   | DN20                 |                                 |                              |                       | L MVQ                                |
|                       | G 1                       | N 1                         | SW 1     | SWXT 1          | PE 1     | DN25                 |                                 |                              |                       |                                      |
|                       | G 1 1/4                   | N 1 1/4                     | SW 1 1/4 | SWXT 1 1/4      | PE 1 1/4 | DN32                 |                                 |                              |                       |                                      |
|                       | G 1 1/2                   | N 1 1/2                     | SW 1 1/2 | SWXT 1 1/2      | PE 1 1/2 | DN40                 |                                 |                              |                       |                                      |
|                       | G 2                       | N 2                         | SW 2     | SWXT 2          | PE 2     | DN50                 |                                 |                              |                       |                                      |

### STAINLESS STEEL

- Type: ball valve GN 2way
- Body: round
- Material: 1,4404
- Ball seats: from DN6 up to DN50
- O-Rings: NBR, FKM, EPDM, MVQ
- Operating pressure: 350 Bar to 500 Bar S6000 PN depending on valve size and seal materials selected
- Fire safe BS 6755
- Antistatic device
- Temp range: -30°C to +100°C different temperatures on request

#### GN

#### G 1/2

#### DN13

#### 316L

#### 316L

#### POM

#### B

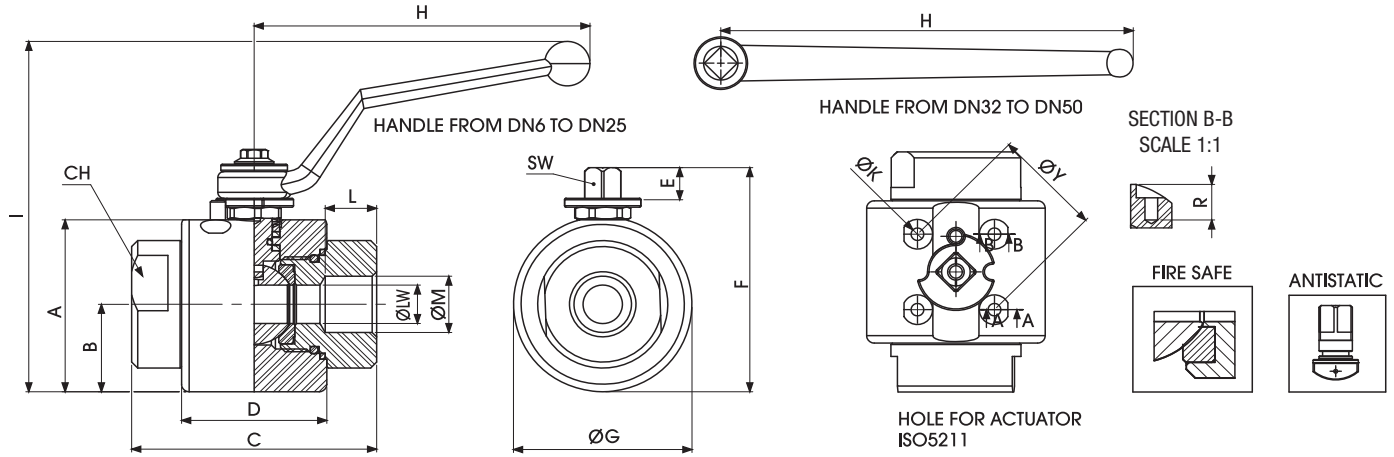
| Type and way of valve | GAS<br>DIN/ISO<br>228 BSP | NPT<br>ANSI/ASME<br>B1.20.1 | SW       | SW<br>EXTRALONG | PE       | Nominal<br>dimension | Body and<br>adapter<br>material | Stem and<br>ball<br>material | Ball seat<br>material | Adapter and<br>stem seal<br>material |
|-----------------------|---------------------------|-----------------------------|----------|-----------------|----------|----------------------|---------------------------------|------------------------------|-----------------------|--------------------------------------|
| GN 2-way              | G 1/4                     | N 1/4                       | SW 1/4   | SWXT 1/4        | PE 1/4   | DN6                  |                                 |                              | A POM                 | B NBR                                |
|                       | G 3/8                     | N 3/8                       | SW 3/8   | SWXT 3/8        | PE 3/8   | DN10                 | 316L 1,4404                     | 316L 1,4404                  | D PEEK                | E FKM                                |
|                       | G 1/2                     | N 1/2                       | SW 1/2   | SWXT 1/2        | PE 1/2   | DN13                 |                                 |                              |                       | F EPDM                               |
|                       | G 3/4                     | N 3/4                       | SW 3/4   | SWXT 3/4        | PE 3/4   | DN20                 |                                 |                              |                       | L MVQ                                |
|                       | G 1                       | N 1                         | SW 1     | SWXT 1          | PE 1     | DN25                 |                                 |                              |                       |                                      |
|                       | G 1 1/4                   | N 1 1/4                     | SW 1 1/4 | SWXT 1 1/4      | PE 1 1/4 | DN32                 |                                 |                              |                       |                                      |
|                       | G 1 1/2                   | N 1 1/2                     | SW 1 1/2 | SWXT 1 1/2      | PE 1 1/2 | DN40                 |                                 |                              |                       |                                      |
|                       | G 2                       | N 2                         | SW 2     | SWXT 2          | PE 2     | DN50                 |                                 |                              |                       |                                      |





# 2-WAY HIGH PRESSURE BALL VALVES

Specialist in Ball Valves



## GN DIN/ISO 228 BSP

Standard

| TYPE       | DN | A     | B    | C   | D   | E    | F     | ØG  | H   | I   | L    | ØM      | ØY | ØK | R  | ISO 5211 | CH | SW | ØLW | KG     |
|------------|----|-------|------|-----|-----|------|-------|-----|-----|-----|------|---------|----|----|----|----------|----|----|-----|--------|
| GN G 1/4   | 6  | 53    | 27   | 72  | 44  | 10,5 | 70    | 54  | 110 | 113 | 15,5 | G 1/4   | 36 | M5 | 12 | F03      | 32 | 9  | 6   | 1,042  |
| GN G 3/8   | 10 | 53    | 27   | 72  | 44  | 10,5 | 70    | 54  | 110 | 113 | 15,5 | G 3/8   | 36 | M5 | 12 | F03      | 32 | 9  | 10  | 1,016  |
| GN G 1/2   | 13 | 58    | 29,5 | 81  | 48  | 10,5 | 75,5  | 59  | 110 | 118 | 17   | G 1/2   | 36 | M5 | 12 | F03      | 38 | 9  | 13  | 1,328  |
| GN G 3/4   | 20 | 72,5  | 37   | 98  | 62  | 14   | 95,5  | 74  | 180 | 128 | 21   | G 3/4   | 50 | M6 | 12 | F05      | 48 | 14 | 20  | 2,638  |
| GN G 1     | 25 | 81    | 41,5 | 106 | 66  | 14   | 104   | 83  | 180 | 137 | 24   | G 1     | 50 | M6 | 12 | F05      | 55 | 14 | 25  | 3,45   |
| GN G 1 1/4 | 32 | 96    | 49,5 | 127 | 83  | 14   | 118,5 | 99  | 300 | 128 | 25   | G 1 1/4 | 70 | M8 | 15 | F07      | 65 | 17 | 32  | 5,851  |
| GN G 1 1/2 | 40 | 109,5 | 57   | 135 | 89  | 14   | 132,5 | 114 | 300 | 142 | 25   | G 1 1/2 | 70 | M8 | 15 | F07      | 80 | 17 | 40  | 8,065  |
| GN G 2     | 50 | 118   | 61,5 | 160 | 101 | 14   | 141   | 123 | 300 | 150 | 27   | G 2     | 70 | M8 | 15 | F07      | 90 | 17 | 50  | 10,412 |

(POM seal)

GN DIN/ISO 228 PN

| DN | PN  | CARBON STEEL    | STAINLESS STEEL |
|----|-----|-----------------|-----------------|
|    |     | ITEM CODE       | ITEM CODE       |
| 6  | 500 | GN2GGT15024A000 | GN2GGT15044A000 |
| 10 | 500 | GN2GGT25024A000 | GN2GGT25044A000 |
| 13 | 500 | GN2GGT35024A000 | GN2GGT35044A000 |
| 20 | 400 | GN2GGT44024A000 | GN2GGT44044A000 |
| 25 | 350 | GN2GGT53024A000 | GN2GGT53044A000 |
| 32 | 350 | GN2GGT63024A000 | GN2GGT63044A000 |
| 40 | 350 | GN2GGT73024A000 | GN2GGT73044A000 |
| 50 | 350 | GN2GGT83024A000 | GN2GGT83044A000 |

(POM seal)

GN DIN/ISO 228 S6000

| DN | PN    | CARBON STEEL    | STAINLESS STEEL |
|----|-------|-----------------|-----------------|
|    |       | ITEM CODE       | ITEM CODE       |
| 6  | S6000 | GN2GGT1G024A000 | GN2GGT1G044A000 |
| 10 | S6000 | GN2GGT2G024A000 | GN2GGT2G044A000 |
| 13 | S6000 | GN2GGT3G024A000 | GN2GGT3G044A000 |
| 20 | S6000 | GN2GGT4G024A000 | GN2GGT4G044A000 |
| 25 | S6000 | GN2GGT5G024A000 | GN2GGT5G044A000 |
| 32 | S6000 | GN2GGT6G024A000 | GN2GGT6G044A000 |
| 40 | S6000 | GN2GGT7G024A000 | GN2GGT7G044A000 |
| 50 | S6000 | GN2GGT8G024A000 | GN2GGT8G044A000 |

(PEEK seal)

GN DIN/ISO 228 PN

| DN | PN  | CARBON STEEL    | STAINLESS STEEL |
|----|-----|-----------------|-----------------|
|    |     | ITEM CODE       | ITEM CODE       |
| 6  | 500 | GN2GGT15024P000 | GN2GGT15044P000 |
| 10 | 500 | GN2GGT25024P000 | GN2GGT25044P000 |
| 13 | 500 | GN2GGT35024P000 | GN2GGT35044P000 |
| 20 | 400 | GN2GGT44024P000 | GN2GGT44044P000 |
| 25 | 350 | GN2GGT53024P000 | GN2GGT53044P000 |
| 32 | 350 | GN2GGT63024P000 | GN2GGT63044P000 |
| 40 | 350 | GN2GGT73024P000 | GN2GGT73044P000 |
| 50 | 350 | GN2GGT83024P000 | GN2GGT83044P000 |

(PEEK seal)

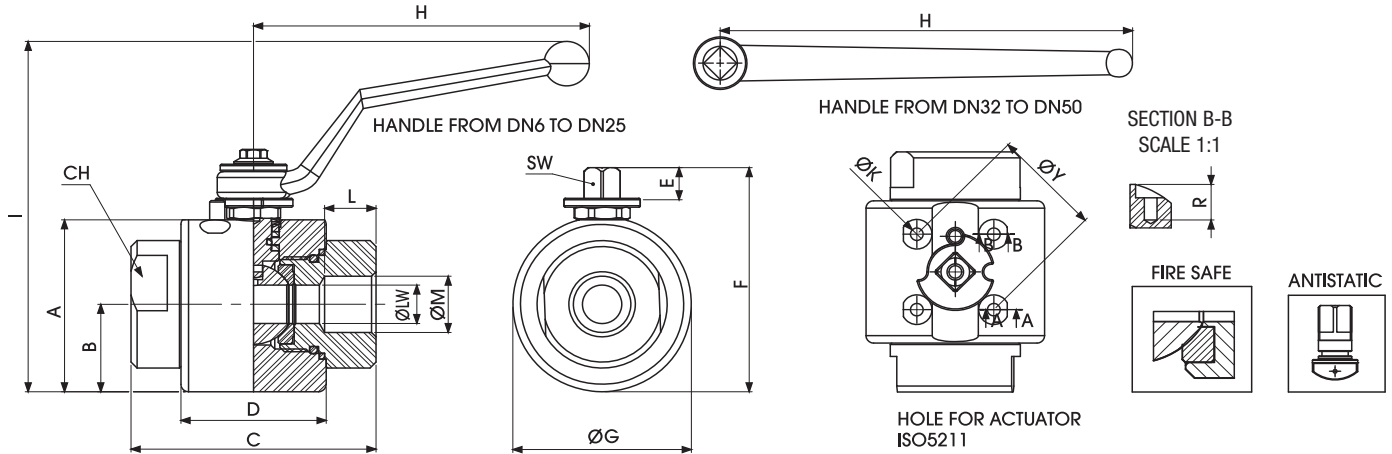
GN DIN/ISO 228 S6000

| DN | PN    | CARBON STEEL    | STAINLESS STEEL |
|----|-------|-----------------|-----------------|
|    |       | ITEM CODE       | ITEM CODE       |
| 6  | S6000 | GN2GGT1G024P000 | GN2GGT1G044P000 |
| 10 | S6000 | GN2GGT2G024P000 | GN2GGT2G044P000 |
| 13 | S6000 | GN2GGT3G024P000 | GN2GGT3G044P000 |
| 20 | S6000 | GN2GGT4G024P000 | GN2GGT4G044P000 |
| 25 | S6000 | GN2GGT5G024P000 | GN2GGT5G044P000 |
| 32 | S6000 | GN2GGT6G024P000 | GN2GGT6G044P000 |
| 40 | S6000 | GN2GGT7G024P000 | GN2GGT7G044P000 |
| 50 | S6000 | GN2GGT8G024P000 | GN2GGT8G044P000 |

# + GN

## 2-WAY HIGH PRESSURE BALL VALVES

www.gemels.it



### GN ANSI/ASME B1.20.1 NPT

Standard

| TYPE       | DN | A     | B    | C   | D   | E    | F     | ØG  | H   | I   | L    | ØM      | ØY | ØK | R  | ISO 5211 | CH | SW | ØLW | KG     |
|------------|----|-------|------|-----|-----|------|-------|-----|-----|-----|------|---------|----|----|----|----------|----|----|-----|--------|
| GN N 1/4   | 6  | 53    | 27   | 72  | 44  | 10,5 | 70    | 54  | 110 | 113 | 15,5 | N 1/4   | 36 | M5 | 12 | F03      | 32 | 9  | 6   | 1,042  |
| GN N 3/8   | 10 | 53    | 27   | 72  | 44  | 10,5 | 70    | 54  | 110 | 113 | 15,5 | N 3/8   | 36 | M5 | 12 | F03      | 32 | 9  | 10  | 1,016  |
| GN N 1/2   | 13 | 58    | 29,5 | 81  | 48  | 10,5 | 75,5  | 59  | 110 | 118 | 17   | N 1/2   | 36 | M5 | 12 | F03      | 38 | 9  | 13  | 1,328  |
| GN N 3/4   | 20 | 72,5  | 37   | 98  | 62  | 14   | 95,5  | 74  | 180 | 128 | 21   | N 3/4   | 50 | M6 | 12 | F05      | 48 | 14 | 20  | 2,638  |
| GN N 1     | 25 | 81    | 41,5 | 106 | 66  | 14   | 104   | 83  | 180 | 137 | 24   | N 1     | 50 | M6 | 12 | F05      | 55 | 14 | 25  | 3,45   |
| GN N 1 1/4 | 32 | 96    | 49,5 | 127 | 83  | 14   | 118,5 | 99  | 300 | 128 | 25   | N 1 1/4 | 70 | M8 | 15 | F07      | 65 | 17 | 32  | 5,851  |
| GN N 1 1/2 | 40 | 109,5 | 57   | 135 | 89  | 14   | 132,5 | 114 | 300 | 142 | 25   | N 1 1/2 | 70 | M8 | 15 | F07      | 80 | 17 | 40  | 8,065  |
| GN N 2     | 50 | 118   | 61,5 | 160 | 101 | 14   | 141   | 123 | 300 | 150 | 27   | N 2     | 70 | M8 | 15 | F07      | 90 | 17 | 50  | 10,412 |

(POM seal)

GN ANSI/ASME B1.20.1 NPT PN

| DN | PN  | CARBON STEEL    |                 | STAINLESS STEEL |                 |
|----|-----|-----------------|-----------------|-----------------|-----------------|
|    |     | ITEM CODE       | ITEM CODE       | ITEM CODE       | ITEM CODE       |
| 6  | 500 | GN2NNT15024A000 | GN2NNT15044A000 | GN2NNT15024A000 | GN2NNT15044A000 |
| 10 | 500 | GN2NNT25024A000 | GN2NNT25044A000 | GN2NNT25024A000 | GN2NNT25044A000 |
| 13 | 500 | GN2NNT35024A000 | GN2NNT35044A000 | GN2NNT35024A000 | GN2NNT35044A000 |
| 20 | 400 | GN2NNT44024A000 | GN2NNT44044A000 | GN2NNT44024A000 | GN2NNT44044A000 |
| 25 | 350 | GN2NNT53024A000 | GN2NNT53044A000 | GN2NNT53024A000 | GN2NNT53044A000 |
| 32 | 350 | GN2NNT63024A000 | GN2NNT63044A000 | GN2NNT63024A000 | GN2NNT63044A000 |
| 40 | 350 | GN2NNT73024A000 | GN2NNT73044A000 | GN2NNT73024A000 | GN2NNT73044A000 |
| 50 | 350 | GN2NNT83024A000 | GN2NNT83044A000 | GN2NNT83024A000 | GN2NNT83044A000 |

(POM seal)

GN ANSI/ASME B1.20.1 NPT S6000

| DN | PN    | CARBON STEEL    |                 | STAINLESS STEEL |                 |
|----|-------|-----------------|-----------------|-----------------|-----------------|
|    |       | ITEM CODE       | ITEM CODE       | ITEM CODE       | ITEM CODE       |
| 6  | S6000 | GN2NNT1G024A000 | GN2NNT1G044A000 | GN2NNT1G024A000 | GN2NNT1G044A000 |
| 10 | S6000 | GN2NNT2G024A000 | GN2NNT2G044A000 | GN2NNT2G024A000 | GN2NNT2G044A000 |
| 13 | S6000 | GN2NNT3G024A000 | GN2NNT3G044A000 | GN2NNT3G024A000 | GN2NNT3G044A000 |
| 20 | S6000 | GN2NNT4G024A000 | GN2NNT4G044A000 | GN2NNT4G024A000 | GN2NNT4G044A000 |
| 25 | S6000 | GN2NNT5G024A000 | GN2NNT5G044A000 | GN2NNT5G024A000 | GN2NNT5G044A000 |
| 32 | S6000 | GN2NNT6G024A000 | GN2NNT6G044A000 | GN2NNT6G024A000 | GN2NNT6G044A000 |
| 40 | S6000 | GN2NNT7G024A000 | GN2NNT7G044A000 | GN2NNT7G024A000 | GN2NNT7G044A000 |
| 50 | S6000 | GN2NNT8G024A000 | GN2NNT8G044A000 | GN2NNT8G024A000 | GN2NNT8G044A000 |

(PEEK seal)

GN ANSI/ASME B1.20.1 NPT PN

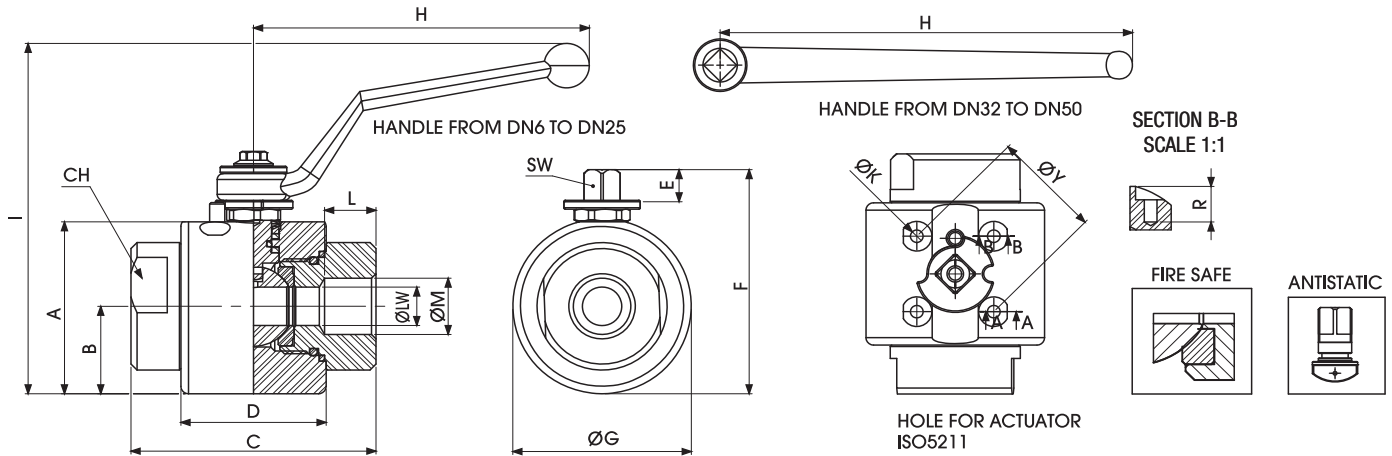
| DN | PN  | CARBON STEEL    |                 | STAINLESS STEEL |                 |
|----|-----|-----------------|-----------------|-----------------|-----------------|
|    |     | ITEM CODE       | ITEM CODE       | ITEM CODE       | ITEM CODE       |
| 6  | 500 | GN2NNT15024P000 | GN2NNT15044P000 | GN2NNT15024P000 | GN2NNT15044P000 |
| 10 | 500 | GN2NNT25024P000 | GN2NNT25044P000 | GN2NNT25024P000 | GN2NNT25044P000 |
| 13 | 500 | GN2NNT35024P000 | GN2NNT35044P000 | GN2NNT35024P000 | GN2NNT35044P000 |
| 20 | 400 | GN2NNT44024P000 | GN2NNT44044P000 | GN2NNT44024P000 | GN2NNT44044P000 |
| 25 | 350 | GN2NNT53024P000 | GN2NNT53044P000 | GN2NNT53024P000 | GN2NNT53044P000 |
| 32 | 350 | GN2NNT63024P000 | GN2NNT63044P000 | GN2NNT63024P000 | GN2NNT63044P000 |
| 40 | 350 | GN2NNT73024P000 | GN2NNT73044P000 | GN2NNT73024P000 | GN2NNT73044P000 |
| 50 | 350 | GN2NNT83024P000 | GN2NNT83044P000 | GN2NNT83024P000 | GN2NNT83044P000 |

(PEEK seal)

GN ANSI/ASME B1.20.1 NPT S6000

| DN | PN    | CARBON STEEL    |                 | STAINLESS STEEL |                 |
|----|-------|-----------------|-----------------|-----------------|-----------------|
|    |       | ITEM CODE       | ITEM CODE       | ITEM CODE       | ITEM CODE       |
| 6  | S6000 | GN2NNT1G024P000 | GN2NNT1G044P000 | GN2NNT1G024P000 | GN2NNT1G044P000 |
| 10 | S6000 | GN2NNT2G024P000 | GN2NNT2G044P000 | GN2NNT2G024P000 | GN2NNT2G044P000 |
| 13 | S6000 | GN2NNT3G024P000 | GN2NNT3G044P000 | GN2NNT3G024P000 | GN2NNT3G044P000 |
| 20 | S6000 | GN2NNT4G024P000 | GN2NNT4G044P000 | GN2NNT4G024P000 | GN2NNT4G044P000 |
| 25 | S6000 | GN2NNT5G024P000 | GN2NNT5G044P000 | GN2NNT5G024P000 | GN2NNT5G044P000 |
| 32 | S6000 | GN2NNT6G024P000 | GN2NNT6G044P000 | GN2NNT6G024P000 | GN2NNT6G044P000 |
| 40 | S6000 | GN2NNT7G024P000 | GN2NNT7G044P000 | GN2NNT7G024P000 | GN2NNT7G044P000 |
| 50 | S6000 | GN2NNT8G024P000 | GN2NNT8G044P000 | GN2NNT8G024P000 | GN2NNT8G044P000 |





### GN SW

Standard

| TYPE        | DN | A     | B    | C   | D   | E    | F     | ØG  | H   | I   | L    | ØM    | ØY | ØK | R  | ISO 5211 | CH | SW | ØLW | KG     |
|-------------|----|-------|------|-----|-----|------|-------|-----|-----|-----|------|-------|----|----|----|----------|----|----|-----|--------|
| GN SW 1/4   | 6  | 53    | 27   | 72  | 44  | 10,5 | 70    | 54  | 110 | 113 | 11,1 | 14,1  | 36 | M5 | 12 | F03      | 32 | 9  | 6   | 1,042  |
| GN SW 3/8   | 10 | 53    | 27   | 72  | 44  | 10,5 | 70    | 54  | 110 | 113 | 11,1 | 17,53 | 36 | M5 | 12 | F03      | 32 | 9  | 10  | 1,016  |
| GN SW 1/2   | 13 | 58    | 29,5 | 81  | 48  | 10,5 | 75,5  | 59  | 110 | 118 | 12,7 | 21,72 | 36 | M5 | 12 | F03      | 38 | 9  | 13  | 1,328  |
| GN SW 3/4   | 20 | 72,5  | 37   | 98  | 62  | 14   | 95,5  | 74  | 180 | 128 | 15   | 27,05 | 50 | M6 | 12 | F05      | 48 | 14 | 20  | 2,638  |
| GN SW 1     | 25 | 81    | 41,5 | 106 | 66  | 14   | 104   | 83  | 180 | 137 | 16   | 33,78 | 50 | M6 | 12 | F05      | 55 | 14 | 25  | 3,45   |
| GN SW 1 1/4 | 32 | 96    | 49,5 | 127 | 83  | 14   | 118,5 | 99  | 300 | 128 | 17,5 | 42,7  | 70 | M8 | 15 | F07      | 65 | 17 | 32  | 5,851  |
| GN SW 1 1/2 | 40 | 109,5 | 57   | 135 | 89  | 14   | 132,5 | 114 | 300 | 142 | 19   | 48,64 | 70 | M8 | 15 | F07      | 80 | 17 | 40  | 8,065  |
| GN SW 2     | 50 | 118   | 61,5 | 160 | 101 | 14   | 141   | 123 | 300 | 150 | 22   | 61,2  | 70 | M8 | 15 | F07      | 90 | 17 | 50  | 10,412 |

#### (POM seal)

GN SW PN

| DN | PN  | CARBON STEEL    | STAINLESS STEEL |
|----|-----|-----------------|-----------------|
|    |     | ITEM CODE       | ITEM CODE       |
| 6  | 500 | GN2TTT15024A000 | GN2TTT15044A000 |
| 10 | 500 | GN2TTT25024A000 | GN2TTT25044A000 |
| 13 | 500 | GN2TTT35024A000 | GN2TTT35044A000 |
| 20 | 400 | GN2TTT44024A000 | GN2TTT44044A000 |
| 25 | 350 | GN2TTT53024A000 | GN2TTT53044A000 |
| 32 | 350 | GN2TTT63024A000 | GN2TTT63044A000 |
| 40 | 350 | GN2TTT73024A000 | GN2TTT73044A000 |
| 50 | 350 | GN2TTT83024A000 | GN2TTT83044A000 |

#### (POM seal)

GN SW S6000

| DN | PN    | CARBON STEEL    | STAINLESS STEEL |
|----|-------|-----------------|-----------------|
|    |       | ITEM CODE       | ITEM CODE       |
| 6  | S6000 | GN2TTT1G024A000 | GN2TTT1G044A000 |
| 10 | S6000 | GN2TTT2G024A000 | GN2TTT2G044A000 |
| 13 | S6000 | GN2TTT3G024A000 | GN2TTT3G044A000 |
| 20 | S6000 | GN2TTT4G024A000 | GN2TTT4G044A000 |
| 25 | S6000 | GN2TTT5G024A000 | GN2TTT5G044A000 |
| 32 | S6000 | GN2TTT6G024A000 | GN2TTT6G044A000 |
| 40 | S6000 | GN2TTT7G024A000 | GN2TTT7G044A000 |
| 50 | S6000 | GN2TTT8G024A000 | GN2TTT8G044A000 |

#### (PEEK seal)

GN SW PN

| DN | PN  | CARBON STEEL    | STAINLESS STEEL |
|----|-----|-----------------|-----------------|
|    |     | ITEM CODE       | ITEM CODE       |
| 6  | 500 | GN2TTT15024P000 | GN2TTT15044P000 |
| 10 | 500 | GN2TTT25024P000 | GN2TTT25044P000 |
| 13 | 500 | GN2TTT35024P000 | GN2TTT35044P000 |
| 20 | 400 | GN2TTT44024P000 | GN2TTT44044P000 |
| 25 | 350 | GN2TTT53024P000 | GN2TTT53044P000 |
| 32 | 350 | GN2TTT63024P000 | GN2TTT63044P000 |
| 40 | 350 | GN2TTT73024P000 | GN2TTT73044P000 |
| 50 | 350 | GN2TTT83024P000 | GN2TTT83044P000 |

#### (PEEK seal)

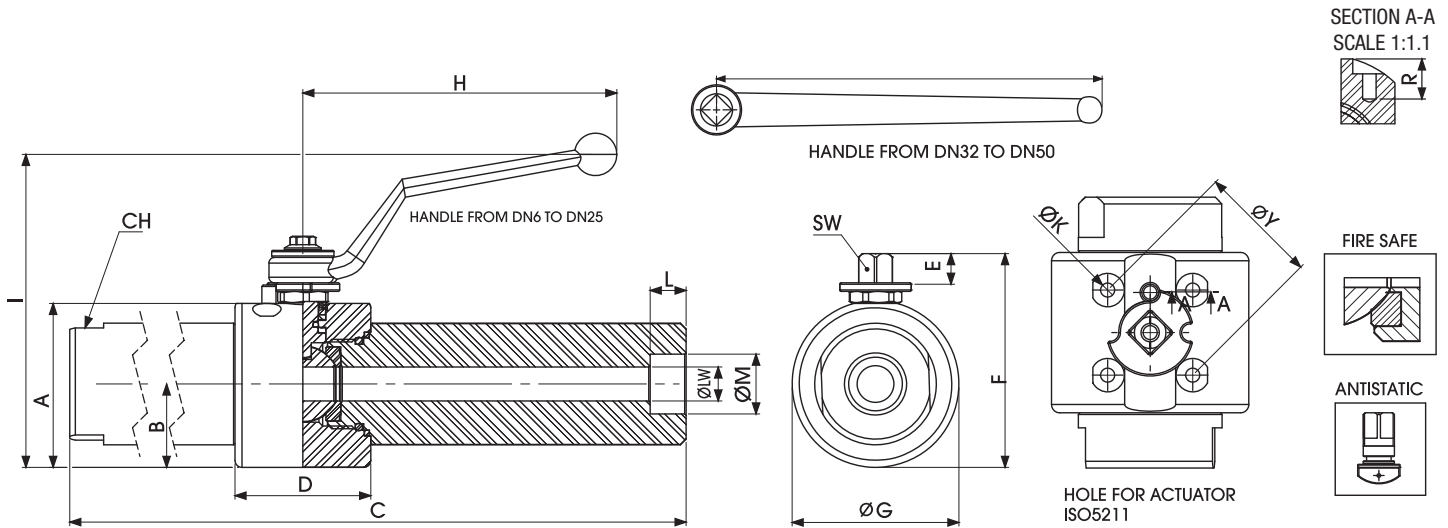
GN SW S6000

| DN | PN    | CARBON STEEL    | STAINLESS STEEL |
|----|-------|-----------------|-----------------|
|    |       | ITEM CODE       | ITEM CODE       |
| 6  | S6000 | GN2TTT1G024P000 | GN2TTT1G044P000 |
| 10 | S6000 | GN2TTT2G024P000 | GN2TTT2G044P000 |
| 13 | S6000 | GN2TTT3G024P000 | GN2TTT3G044P000 |
| 20 | S6000 | GN2TTT4G024P000 | GN2TTT4G044P000 |
| 25 | S6000 | GN2TTT5G024P000 | GN2TTT5G044P000 |
| 32 | S6000 | GN2TTT6G024P000 | GN2TTT6G044P000 |
| 40 | S6000 | GN2TTT7G024P000 | GN2TTT7G044P000 |
| 50 | S6000 | GN2TTT8G024P000 | GN2TTT8G044P000 |

# + GN

## 2-WAY HIGH PRESSURE BALL VALVES

www.gemels.it



### GN SW EXTRALONG

Standard

| TYPE          | DN | A     | B    | C   | D   | E    | F     | ØG  | H   | I   | L    | ØM    | ØY | ØK | R  | ISO 5211 | CH | SW | ØLW | KG     |
|---------------|----|-------|------|-----|-----|------|-------|-----|-----|-----|------|-------|----|----|----|----------|----|----|-----|--------|
| GN SWXT 1/4   | 6  | 53    | 27   | 262 | 44  | 10,5 | 70    | 54  | 110 | 113 | 11,1 | 14,1  | 36 | M5 | 12 | F03      | 32 | 9  | 6   | 2,702  |
| GN SWXT 3/8   | 10 | 53    | 27   | 262 | 44  | 10,5 | 70    | 54  | 110 | 113 | 11,1 | 17,53 | 36 | M5 | 12 | F03      | 32 | 9  | 10  | 2,599  |
| GN SWXT 1/2   | 13 | 58    | 29,5 | 271 | 48  | 10,5 | 75,5  | 59  | 110 | 118 | 12,7 | 21,72 | 36 | M5 | 12 | F03      | 38 | 9  | 13  | 3,303  |
| GN SWXT 3/4   | 20 | 72,5  | 37   | 288 | 62  | 14   | 95,5  | 74  | 180 | 128 | 15   | 27,05 | 50 | M6 | 12 | F05      | 48 | 14 | 20  | 5,595  |
| GN SWXT 1     | 25 | 81    | 41,5 | 296 | 66  | 14   | 104   | 83  | 180 | 137 | 16   | 33,78 | 50 | M6 | 12 | F05      | 55 | 14 | 25  | 7,534  |
| GN SWXT 1 1/4 | 32 | 96    | 49,5 | 318 | 83  | 14   | 118,5 | 99  | 300 | 128 | 17,5 | 42,7  | 70 | M8 | 15 | F07      | 65 | 17 | 32  | 11,123 |
| GN SWXT 1 1/2 | 40 | 109,5 | 57   | 325 | 89  | 14   | 132,5 | 114 | 300 | 142 | 19   | 48,64 | 70 | M8 | 15 | F07      | 80 | 17 | 40  | 15,467 |
| GN SWXT 2     | 50 | 118   | 61,5 | 350 | 101 | 14   | 141   | 123 | 300 | 150 | 22   | 61,2  | 70 | M8 | 15 | F07      | 90 | 17 | 50  | 19,178 |

#### (POM seal)

GN SW EXTRALONG PN

| DN | PN  | ITEM CODE       |                 |
|----|-----|-----------------|-----------------|
|    |     | CARBON STEEL    | STAINLESS STEEL |
| 6  | 500 | GN2TXT15024A000 | GN2TXT15044A000 |
| 10 | 500 | GN2TXT25024A000 | GN2TXT25044A000 |
| 13 | 500 | GN2TXT35024A000 | GN2TXT35044A000 |
| 20 | 400 | GN2TXT44024A000 | GN2TXT44044A000 |
| 25 | 350 | GN2TXT53024A000 | GN2TXT53044A000 |
| 32 | 350 | GN2TXT63024A000 | GN2TXT63044A000 |
| 40 | 350 | GN2TXT73024A000 | GN2TXT73044A000 |
| 50 | 350 | GN2TXT83024A000 | GN2TXT83044A000 |

#### (POM seal)

GN SW EXTRALONG S6000

| DN | PN    | ITEM CODE       |                 |
|----|-------|-----------------|-----------------|
|    |       | CARBON STEEL    | STAINLESS STEEL |
| 6  | S6000 | GN2TXT1G024A000 | GN2TXT1G044A000 |
| 10 | S6000 | GN2TXT2G024A000 | GN2TXT2G044A000 |
| 13 | S6000 | GN2TXT3G024A000 | GN2TXT3G044A000 |
| 20 | S6000 | GN2TXT4G024A000 | GN2TXT4G044A000 |
| 25 | S6000 | GN2TXT5G024A000 | GN2TXT5G044A000 |
| 32 | S6000 | GN2TXT6G024A000 | GN2TXT6G044A000 |
| 40 | S6000 | GN2TXT7G024A000 | GN2TXT7G044A000 |
| 50 | S6000 | GN2TXT8G024A000 | GN2TXT8G044A000 |

#### (PEEK seal)

GN SW EXTRALONG PN

| DN | PN  | ITEM CODE       |                 |
|----|-----|-----------------|-----------------|
|    |     | CARBON STEEL    | STAINLESS STEEL |
| 6  | 500 | GN2TXT15024P000 | GN2TXT15044P000 |
| 10 | 500 | GN2TXT25024P000 | GN2TXT25044P000 |
| 13 | 500 | GN2TXT35024P000 | GN2TXT35044P000 |
| 20 | 400 | GN2TXT44024P000 | GN2TXT44044P000 |
| 25 | 350 | GN2TXT53024P000 | GN2TXT53044P000 |
| 32 | 350 | GN2TXT63024P000 | GN2TXT63044P000 |
| 40 | 350 | GN2TXT73024P000 | GN2TXT73044P000 |
| 50 | 350 | GN2TXT83024P000 | GN2TXT83044P000 |

#### (PEEK seal)

GN SW EXTRALONG S6000

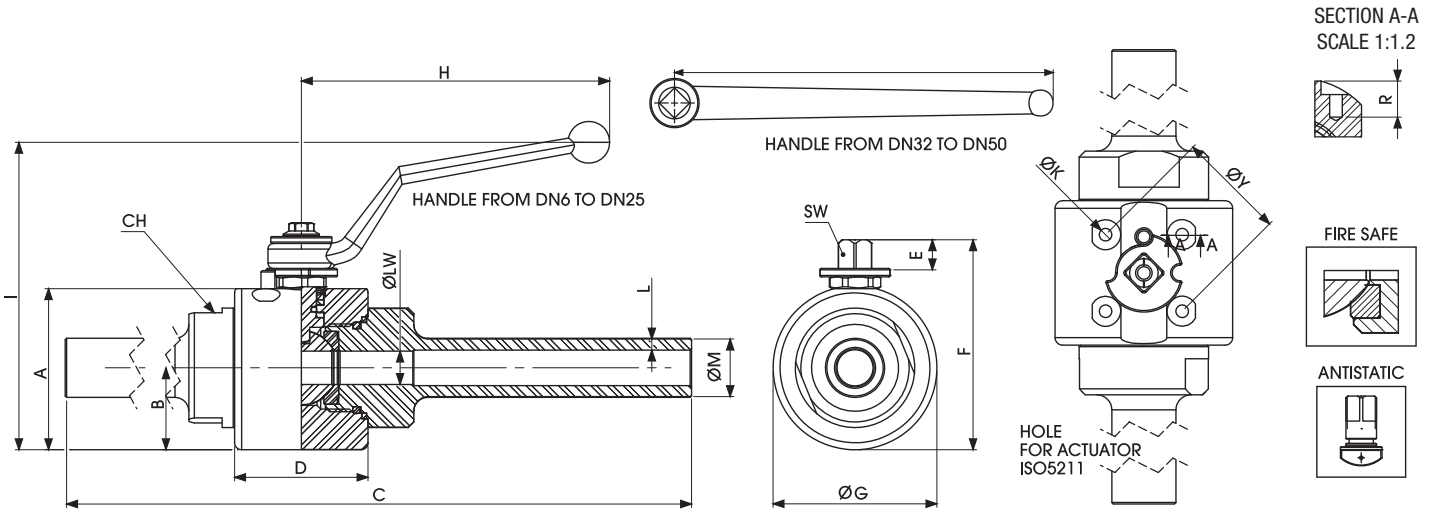
| DN | PN    | ITEM CODE       |                 |
|----|-------|-----------------|-----------------|
|    |       | CARBON STEEL    | STAINLESS STEEL |
| 6  | S6000 | GN2TXT1G024P000 | GN2TXT1G044P000 |
| 10 | S6000 | GN2TXT2G024P000 | GN2TXT2G044P000 |
| 13 | S6000 | GN2TXT3G024P000 | GN2TXT3G044P000 |
| 20 | S6000 | GN2TXT4G024P000 | GN2TXT4G044P000 |
| 25 | S6000 | GN2TXT5G024P000 | GN2TXT5G044P000 |
| 32 | S6000 | GN2TXT6G024P000 | GN2TXT6G044P000 |
| 40 | S6000 | GN2TXT7G024P000 | GN2TXT7G044P000 |
| 50 | S6000 | GN2TXT8G024P000 | GN2TXT8G044P000 |





# 2-WAY HIGH PRESSURE BALL VALVES

Specialist in Ball Valves



## GN PE

Standard

| TYPE        | DN | A     | B    | C   | D   | E    | F     | ØG  | H   | I   | L    | SW   | ØM | ØY | ØK | R   | ISO 5211 | CH | SW | ØLW    | KG |
|-------------|----|-------|------|-----|-----|------|-------|-----|-----|-----|------|------|----|----|----|-----|----------|----|----|--------|----|
| GN PE 1/4   | 6  | 53    | 27   | 272 | 44  | 10,5 | 70    | 54  | 110 | 113 | 3,02 | 13,7 | 36 | M5 | 12 | F03 | 32       | 9  | 6  | 1,227  |    |
| GN PE 3/8   | 10 | 53    | 27   | 272 | 44  | 10,5 | 70    | 54  | 110 | 113 | 3,2  | 17,1 | 36 | M5 | 12 | F03 | 32       | 9  | 10 | 1,27   |    |
| GN PE 1/2   | 13 | 58    | 29,5 | 281 | 48  | 10,5 | 75,5  | 59  | 110 | 118 | 3,73 | 21,3 | 36 | M5 | 12 | F03 | 38       | 9  | 13 | 1,709  |    |
| GN PE 3/4   | 20 | 72,5  | 37   | 298 | 62  | 14   | 95,5  | 74  | 180 | 128 | 3,91 | 26,7 | 50 | M6 | 12 | F05 | 48       | 14 | 20 | 3,159  |    |
| GN PE 1     | 25 | 81    | 41,5 | 306 | 66  | 14   | 104   | 83  | 180 | 137 | 4,55 | 33,4 | 50 | M6 | 12 | F05 | 55       | 14 | 25 | 4,224  |    |
| GN PE 1 1/4 | 32 | 96    | 49,5 | 327 | 83  | 14   | 118,5 | 99  | 300 | 128 | 4,85 | 42,2 | 70 | M8 | 15 | F07 | 65       | 17 | 32 | 6,951  |    |
| GN PE 1 1/2 | 40 | 109,5 | 57   | 335 | 89  | 14   | 132,5 | 114 | 300 | 142 | 5,08 | 48,3 | 70 | M8 | 15 | F07 | 80       | 17 | 40 | 9,283  |    |
| GN PE 2     | 50 | 118   | 61,5 | 360 | 101 | 14   | 141   | 123 | 300 | 150 | 5,54 | 60,3 | 70 | M8 | 15 | F07 | 90       | 17 | 50 | 12,252 |    |

### (POM seal)

GN PE PN

| DN | PN  | ITEM CODE       |                 |
|----|-----|-----------------|-----------------|
|    |     | CARBON STEEL    | STAINLESS STEEL |
| 6  | 500 | GN2BWT15024A000 | GN2BWT15044A000 |
| 10 | 500 | GN2BWT25024A000 | GN2BWT25044A000 |
| 13 | 500 | GN2BWT35024A000 | GN2BWT35044A000 |
| 20 | 400 | GN2BWT44024A000 | GN2BWT44044A000 |
| 25 | 350 | GN2BWT53024A000 | GN2BWT53044A000 |
| 32 | 350 | GN2BWT63024A000 | GN2BWT63044A000 |
| 40 | 350 | GN2BWT73024A000 | GN2BWT73044A000 |
| 50 | 350 | GN2BWT83024A000 | GN2BWT83044A000 |

### (POM seal)

GN PE S6000

| DN | PN    | ITEM CODE       |                 |
|----|-------|-----------------|-----------------|
|    |       | CARBON STEEL    | STAINLESS STEEL |
| 6  | S6000 | GN2BWT1G024A000 | GN2BWT1G044A000 |
| 10 | S6000 | GN2BWT2G024A000 | GN2BWT2G044A000 |
| 13 | S6000 | GN2BWT3G024A000 | GN2BWT3G044A000 |
| 20 | S6000 | GN2BWT4G024A000 | GN2BWT4G044A000 |
| 25 | S6000 | GN2BWT5G024A000 | GN2BWT5G044A000 |
| 32 | S6000 | GN2BWT6G024A000 | GN2BWT6G044A000 |
| 40 | S6000 | GN2BWT7G024A000 | GN2BWT7G044A000 |
| 50 | S6000 | GN2BWT8G024A000 | GN2BWT8G044A000 |

### (PEEK seal)

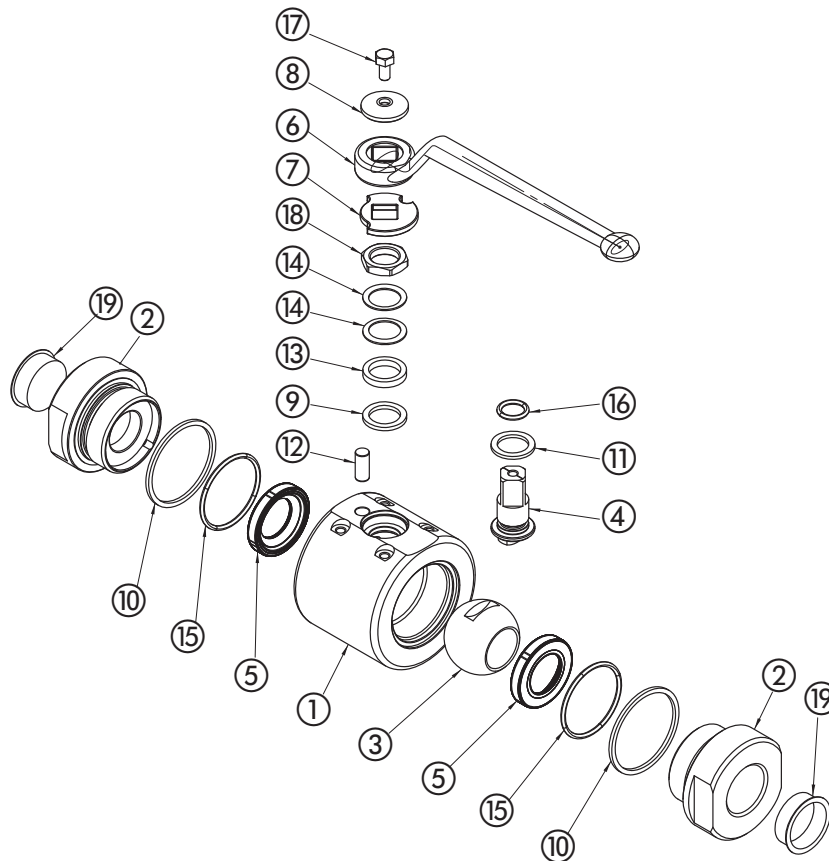
GN PE PN

| DN | PN  | ITEM CODE       |                 |
|----|-----|-----------------|-----------------|
|    |     | CARBON STEEL    | STAINLESS STEEL |
| 6  | 500 | GN2BWT15024P000 | GN2BWT15044P000 |
| 10 | 500 | GN2BWT25024P000 | GN2BWT25044P000 |
| 13 | 500 | GN2BWT35024P000 | GN2BWT35044P000 |
| 20 | 400 | GN2BWT44024P000 | GN2BWT44044P000 |
| 25 | 350 | GN2BWT53024P000 | GN2BWT53044P000 |
| 32 | 350 | GN2BWT63024P000 | GN2BWT63044P000 |
| 40 | 350 | GN2BWT73024P000 | GN2BWT73044P000 |
| 50 | 350 | GN2BWT83024P000 | GN2BWT83044P000 |

### (PEEK seal)

GN PE S6000

| DN | PN    | ITEM CODE       |                 |
|----|-------|-----------------|-----------------|
|    |       | CARBON STEEL    | STAINLESS STEEL |
| 6  | S6000 | GN2BWT1G024P000 | GN2BWT1G044P000 |
| 10 | S6000 | GN2BWT2G024P000 | GN2BWT2G044P000 |
| 13 | S6000 | GN2BWT3G024P000 | GN2BWT3G044P000 |
| 20 | S6000 | GN2BWT4G024P000 | GN2BWT4G044P000 |
| 25 | S6000 | GN2BWT5G024P000 | GN2BWT5G044P000 |
| 32 | S6000 | GN2BWT6G024P000 | GN2BWT6G044P000 |
| 40 | S6000 | GN2BWT7G024P000 | GN2BWT7G044P000 |
| 50 | S6000 | GN2BWT8G024P000 | GN2BWT8G044P000 |



### Carbon steel

| Pos | Description    | Material   | Q.tà |
|-----|----------------|------------|------|
| 1   | Body           | 1,0570     | 1    |
| 2   | Adapter        | 1,0570     | 2    |
| 3   | Ball           | 1,4404     | 1    |
| 4   | Stem           | 1,4404     | 1    |
| 5   | Ball seat      | POM        | 2    |
| 6   | Handle         | 1,0116     | 1    |
| 7   | Washer         | 1,4301     | 1    |
| 8   | Washer         | 1,4301     | 1    |
| 9   | Body ring      | GRAPHITE   | 1    |
| 10  | Adapter ring   | GRAPHITE   | 2    |
| 11  | Stem ring      | PTFE       | 2    |
| 12  | Spine          | 1,4301     | 1    |
| 13  | Press ring     | 1,4301     | 1    |
| 14  | Spring         | 1,4301     | 2    |
| 15  | Adapter o-ring | NBR        | 2    |
| 16  | Stem o-ring    | NBR        | 1    |
| 17  | Screw          | DIN6921 A2 | 1    |
| 18  | Nut            | 1,4301     | 1    |
| 19  | Caps           | PVC        | 2    |

**On request**

- Reduced bore
- O-Ring in FKM, EPDM, HNBR, KALREZ
- Seals in PTFE, PEEK, PA612, GEMPTFE, METAL TO METAL
- Special threads
- Pressure class up to PN500 or 6000 Psi
- Locking device
- Pneumatic and electrical actuator

### Stainless steel

| Pos | Description    | Material   | Q.tà |
|-----|----------------|------------|------|
| 1   | Body           | 1,4404     | 1    |
| 2   | Adapter        | 1,4404     | 2    |
| 3   | Ball           | 1,4404     | 1    |
| 4   | Stem           | 1,4404     | 1    |
| 5   | Ball seat      | POM        | 2    |
| 6   | Handle         | 1,0116     | 1    |
| 7   | Washer         | 1,4301     | 1    |
| 8   | Washer         | 1,4301     | 1    |
| 9   | Body ring      | GRAPHITE   | 1    |
| 10  | Adapter ring   | GRAPHITE   | 2    |
| 11  | Stem ring      | PTFE       | 2    |
| 12  | Spine          | 1,4301     | 1    |
| 13  | Press ring     | 1,4301     | 1    |
| 14  | Spring         | 1,4301     | 2    |
| 15  | Adapter o-ring | NBR        | 2    |
| 16  | Stem o-ring    | NBR        | 1    |
| 17  | Screw          | DIN6921 A2 | 1    |
| 18  | Nut            | 1,4301     | 1    |
| 19  | Caps           | PVC        | 2    |

**On request**

- Reduced bore
- O-Ring in FKM, EPDM, HNBR, KALREZ
- Seals in PTFE, PEEK, PA612, GEMPTFE, METAL TO METAL
- Special threads
- Pressure class up to PN500 or 6000 Psi
- Locking device
- Pneumatic and electrical actuator

For further special requests please consult our technical/commercial service

