



+ DBB

DOUBLE BLOCK AND BLEED




CARBON STEEL

- Type: ball valve DBB ANSI B16.5 
- Body: round
- Material: LF2/F316
- Ball seats: from DN13 up to DN240
- O-Rings: NBR, FKM, EPDM, MVQ
- Operating pressure: 20 Bar - 50 Bar - 100 Bar
150 Bar - 250 Bar - 420 Bar
- Antistatic device

DBB	ANSI600	2"	DN50	FB	LF2	F316	RPTFE	NBR	RF
Type and way of valve BDD Double block and bleed	Valves dimension of pressure (lbs) ANSI2500 ANSI1500 ANSI900 ANSI600 ANSI300 ANSI150	Inch from 1/2 up to 10	Nominal dimension from DN13 up to DN254	Bore FB full bore RB reduce bore	Body material LF2	Stem material F316 F51	Ball seat material RPTFE PEEK NYLON DEVLON MET-TO-MET	Adapter and stem seal material NBR FKM EPDM MVQ	Flanged RF RTJ BW FF

STAINLESS STEEL

- Type: ball valve DBB ANSI B16.5 
- Body: round
- Material: F316/F51
- Ball seats: from DN13 up to DN240
- O-Rings: NBR, FKM, EPDM, MVQ
- Operating pressure: 20 Bar - 50 Bar - 100 Bar
150 Bar - 250 Bar - 420 Bar
- Antistatic device

DBB	ANSI600	2"	DN50	FB	F316	F51	RPTFE	NBR	RF
Type and way of valve BDD Double block and bleed	Valves dimension of pressure (lbs) ANSI2500 ANSI1500 ANSI900 ANSI600 ANSI300 ANSI150	Inch from 1/2 up to 10	Nominal dimension from DN13 up to DN254	Bore FB full bore RB reduce bore	Body material F316	Stem material F316 F51	Ball seat material RPTFE PEEK NYLON DEVLON MET-TO-MET	Adapter and stem seal material NBR FKM EPDM MVQ	Flanged RF RTJ BW FF

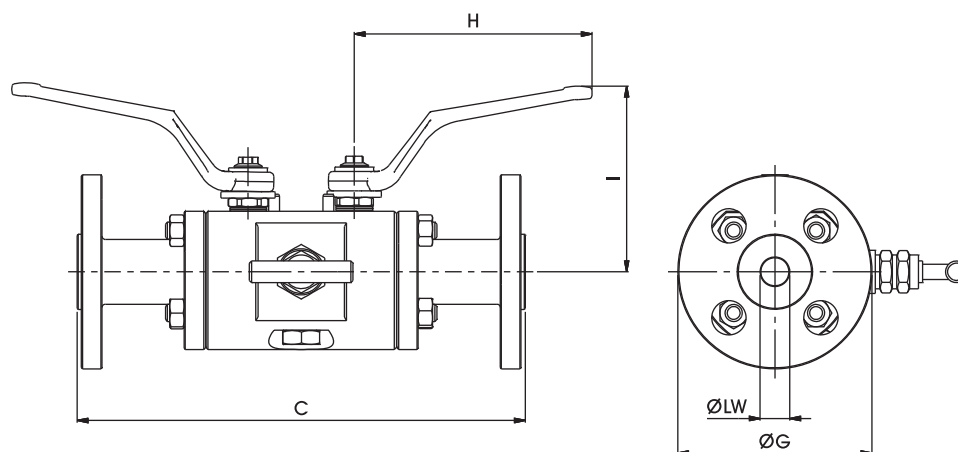
DBB



+ DBB

DOUBLE BLOCK AND BLEED

Specialist in Ball Valves



DBB 150 FB

TYPE	PN	INCH	LW	LW1	C RF	C RTJ	G	I	H
FLOATING	2 Mpa	1/2	14	-	194,4	214,2	90	110	225
FLOATING	2 Mpa	3/4	20	-	210,6	234	100	112	228
FLOATING	2 Mpa	1	25,4	-	228,6	252	110	116	233
FLOATING	2 Mpa	1 1/2	38	-	297	320,4	125	135	305
FLOATING	2 Mpa	2	49	-	320,4	343,8	150	145	310
FLOATING	2 Mpa	3	76	-	365,4	388,8	190	190	520
FLOATING	2 Mpa	4	100	-	412,2	435,6	230	210	535
FLOATING	2 Mpa	6	150	-	709,2	732,6	280	250	-
TRUNNION	2 Mpa	8	202	-	822,6	846	345	280	-
TRUNNION	2 Mpa	10	252	-	-	-	-	-	-

DBB 150 RB

TYPE	PN	INCH	LW	LW1	C RF	C RTJ	G	I	H
FLOATING	2 Mpa	3/4 x 1/2	14	20	210,6	234	100	110	225
FLOATING	2 Mpa	1 x 3/4	20	25,4	228,6	252	110	112	228
FLOATING	2 Mpa	1 1/2 x 1	25,4	38	297	320,4	125	116	233
FLOATING	2 Mpa	2 x 1 1/2	38	49	320,4	343,8	150	135	305
FLOATING	2 Mpa	3 x 2	49	76	365,4	388,8	190	145	310
FLOATING	2 Mpa	4 x 3	76	100	412,2	435,6	230	190	520
FLOATING	2 Mpa	6 x 4	100	150	709,2	732,6	280	210	535
FLOATING	2 Mpa	8 x 6	150	202	822,6	846	345	250	870

+ DBB

DOUBLE BLOCK AND BLEED

www.gemels.it

DBB 300 FB									
TYPE	PN	INCH	LW	LW1	C RF	C RTJ	G	I	H
FLOATING	5 Mpa	1/2	14	-	252	271,8	95	110	225
FLOATING	5 Mpa	3/4	20	-	273,6	297	115	112	228
FLOATING	5 Mpa	1	25,4	-	297	320,4	125	116	233
FLOATING	5 Mpa	1 1/2	38	-	343,8	365,4	155	135	305
FLOATING	5 Mpa	2	49	-	388,8	417,6	165	145	310
FLOATING	5 Mpa	3	76	-	509,4	538,2	210	190	520
FLOATING	5 Mpa	4	100	-	549	577,8	255	210	535
FLOATING	5 Mpa	6	151	-	725,4	754,2	320	250	-
TRUNNION	5 Mpa	8	202	-	903,6	932,4	380	280	-
TRUNNION	5 Mpa	10	252	-	1022,4	1051,2	445	-	-

DBB 300 RB									
TYPE	PN	INCH	LW	LW1	C RF	C RTJ	G	I	H
FLOATING	5 Mpa	3/4 x 1/2	14	20	273,6	297	115	110	225
FLOATING	5 Mpa	1 x 3/4	20	25,4	297	267	125	112	228
FLOATING	5 Mpa	1 1/2 x 1	25,4	38	343,8	365,4	155	116	233
FLOATING	5 Mpa	2 x 1 1/2	38	49	388,8	417,6	165	135	305
FLOATING	5 Mpa	3 x 2	49	76	509,4	538,2	210	145	310
FLOATING	5 Mpa	4 x 3	76	100	549	577,8	255	190	520
FLOATING	5 Mpa	6 x 4	100	150	725,4	754,2	320	210	535
FLOATING	5 Mpa	8 x 6	151	202	903,6	932,2	380	250	-

DBB 600 FB									
TYPE	PN	INCH	LW	LW1	C RF	C RTJ	G	I	H
FLOATING	10 Mpa	1/2	14	-	228	226	95	110	225
FLOATING	10 Mpa	3/4	20	-	234	234	115	112	228
FLOATING	10 Mpa	1	25,4	-	252	252	125	116	233
FLOATING	10 Mpa	1 1/2	38	-	325	325	155	135	305
FLOATING	10 Mpa	2	49	-	353	356	165	145	310
FLOATING	10 Mpa	3	76	-	462	465	210	190	520
FLOATING	10 Mpa	4	101	-	697	700	275	197	-
FLOATING	10 Mpa	6	151	-	877	880	355	250	-
TRUNNION	10 Mpa	8	202	-	1050	1053	420	290	-
TRUNNION	10 Mpa	10	252	-	1259,2	1265,6	510	-	-

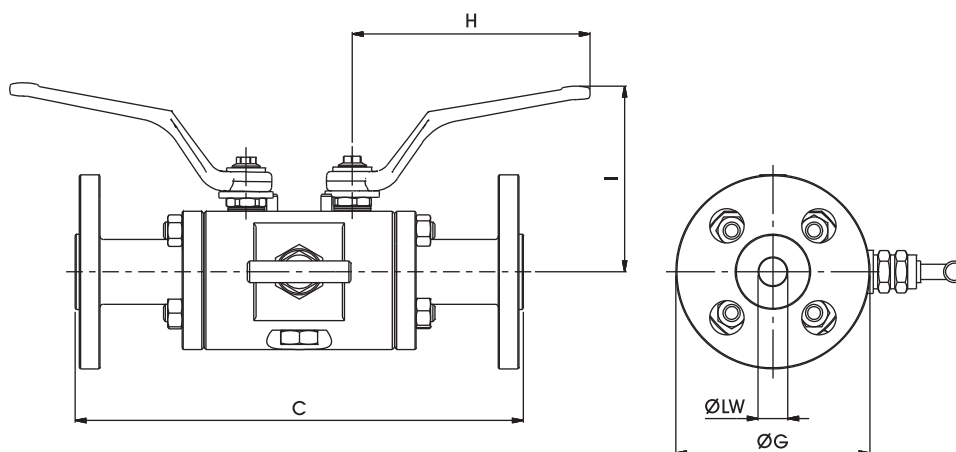
DBB 600 RB									
TYPE	PN	INCH	LW	LW1	C RF	C RTJ	G	I	H
FLOATING	10 Mpa	3/4 x 1/2	14	20	230	230	115	110	225
FLOATING	10 Mpa	1 x 3/4	20	25,4	238	238	125	112	228
FLOATING	10 Mpa	1 1/2 x 1	25,4	38	262	262	155	116	233
FLOATING	10 Mpa	2 x 1 1/2	38	49	332	338	165	135	305
FLOATING	10 Mpa	3 x 2	49	76	368	371	210	145	310
FLOATING	10 Mpa	4 x 3	76	101	477	480	275	190	520
FLOATING	10 Mpa	6 x 4	101	151	727	730	355	197	-
FLOATING	10 Mpa	8 x 6	151	202	907	910	420	250	-



+ DBB

DOUBLE BLOCK AND BLEED

Specialist in Ball Valves



DBB 900 FB									
TYPE	PN	INCH	LW	LW1	C RF	C RTJ	G	I	H
FLOATING	15 Mpa	1/2	11,1	-	276	276	120	112	225
FLOATING	15 Mpa	3/4	15,5	-	287	287	130	114	228
FLOATING	15 Mpa	1	21	-	330	330	150	122	295
FLOATING	15 Mpa	1 1/2	34	-	400	400	180	155	410
FLOATING	15 Mpa	2	43	-	464	467	215	162	415
FLOATING	15 Mpa	3	75	-	647	650	240	180	-
FLOATING	15 Mpa	4	101	-	747	750	290	220	-
FLOATING	15 Mpa	6	151	-	977	980	380	260	-
TRUNNION	15 Mpa	8	202	-	1197	1200	470	300	-
TRUNNION	15 Mpa	10	252	-	1340,8	1513,8	545	-	-

DBB 900 RB									
TYPE	PN	INCH	LW	LW1	C RF	C RTJ	G	I	H
FLOATING	15 Mpa	3/4 x 1/2	11,1	15,5	282	282	130	112	225
FLOATING	15 Mpa	1 x 3/4	15,5	21	295	295	150	114	228
FLOATING	15 Mpa	1 1/2 x 1	21	34	340	340	180	122	295
FLOATING	15 Mpa	2 x 1 1/2	34	43	412	415	215	155	410
FLOATING	15 Mpa	3 x 2	43	65	442	445	240	162	415
FLOATING	15 Mpa	4 x 3	75	101	662	665	290	180	-
FLOATING	15 Mpa	6 x 4	101	151	772	775	380	220	-
FLOATING	15 Mpa	8 x 6	151	202	1017	1020	470	260	-

+ DBB

DOUBLE BLOCK AND BLEED

www.gemels.it

DBB 1500 FB									
TYPE	PN	INCH	LW	LW1	C RF	C RTJ	G	I	H
FLOATING	25 Mpa	1/2	11,1	-	276	276	120	112	225
FLOATING	25 Mpa	3/4	15,5	-	287	287	130	114	228
FLOATING	25 Mpa	1	21	-	330	330	150	122	295
FLOATING	25 Mpa	1 1/2	34	-	400	400	180	155	410
FLOATING	25 Mpa	2	43	-	464	467	215	162	415
FLOATING	25 Mpa	3	75	-	697	700	265	180	-
FLOATING	25 Mpa	4	101	-	827	830	310	220	-
FLOATING	25 Mpa	6	145	-	1084	1090	395	270	-
TRUNNION	25 Mpa	8	193	-	1340	1350	485	310	-
TRUNNION	25 Mpa	10	239	-	1585,6	1600	585	-	-

DBB 1500 RB									
TYPE	PN	INCH	LW	LW1	C RF	C RTJ	G	I	H
FLOATING	25 Mpa	3/4 x 1/2	11,1	15,5	282	282	130	112	225
FLOATING	25 Mpa	1 x 3/4	15,5	21	295	295	150	114	228
FLOATING	25 Mpa	1 1/2 x 1	21	34	340	340	180	122	295
FLOATING	25 Mpa	2 x 1 1/2	34	43	412	415	215	155	410
FLOATING	25 Mpa	3 x 2	43	65	737	740	265	162	415
FLOATING	25 Mpa	4 x 3	75	101	894	900	310	180	-
FLOATING	25 Mpa	6 x 4	101	145	1120	1130	395	220	-
FLOATING	25 Mpa	8 x 6	145	193	-	-	485	270	-

DBB 2500 FB									
TYPE	PN	INCH	LW	LW1	C RF	C RTJ	G	I	H
FLOATING	42 Mpa	1/2	11,1	-	291	291	135	112	225
FLOATING	42 Mpa	3/4	15,5	-	300	300	140	114	228
FLOATING	42 Mpa	1	21	-	350	350	160	122	295
FLOATING	42 Mpa	1 1/2	32	-	565	565	205	100	-
FLOATING	42 Mpa	2	43	-	652	655	235	125	-
FLOATING	42 Mpa	3	63	-	864	870	305	190	-
FLOATING	42 Mpa	4	88	-	990	1000	355	240	-
FLOATING	42 Mpa	6	131	-	1317	1330	485	280	-
TRUNNION	42 Mpa	8	179	-	1484	1500	550	380	-
TRUNNION	42 Mpa	10	223	-	1905	1941	675	-	-

DBB 2500 RB									
TYPE	PN	INCH	LW	LW1	C RF	C RTJ	G	I	H
FLOATING	42 Mpa	3/4 x 1/2	11,1	15,5	294	294	140	112	225
FLOATING	42 Mpa	1 x 3/4	15,5	21	310	310	160	114	228
FLOATING	42 Mpa	1 1/2 x 1	21	32	370	373	205	122	295
FLOATING	42 Mpa	2 x 1 1/2	32	43	577	580	235	100	-
FLOATING	42 Mpa	3 x 2	43	63	694	700	305	125	-
FLOATING	42 Mpa	4 x 3	63	88	890	900	355	190	-
FLOATING	42 Mpa	6 x 4	88	131	1067	1080	485	240	-
FLOATING	42 Mpa	8 x 6	131	179	1384	1400	675	280	-

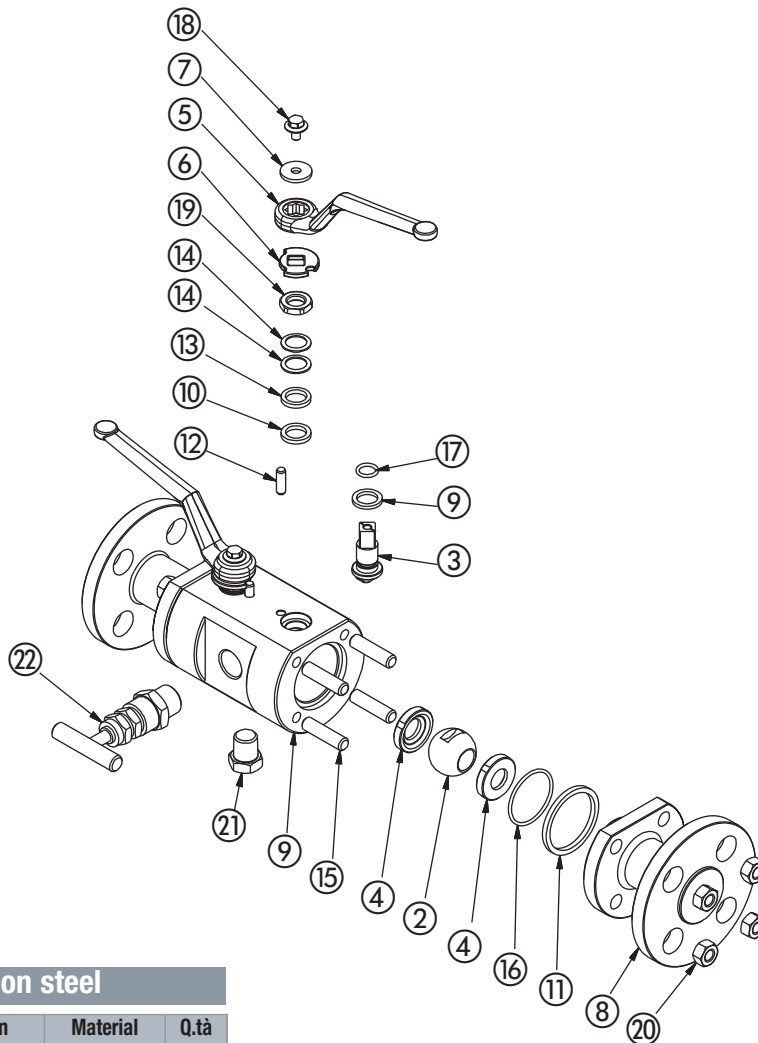


+ DBB

DOUBLE BLOCK AND BLEED

www.gemels.it

2017 - Edition 1



Carbon steel

Pos	Description	Material	Q.tà
1	Body	1,0570	1
2	Ball	1,4462	2
3	Stem	1,4462	2
4	Ball seat	PTFE	4
5	Handle	ZINC	2
6	Washer	1,4301	2
7	Washer	1,4301	2
8	Flange	1,0570	2
9	Stem ring	PTFE	2
10	Stem ring	GRAPHITE	2
11	Flange ring	GRAPHITE	2
12	Pin	1,4301	2
13	Stem ring	1,4301	2
14	Spring	1,4301	4
15	Bolts	ASTM A320 L7	8
16	O-ring	NBR	2
17	O-ring	NBR	2
18	Screw	DIN6921 A2	2
19	Nut	1,4301	2
20	Nut	ASTM A194 Gr.7	8
21	Plug	1,4462	1
22	Bleeder bonnet	1,4462	1
23	Spring	1,4301	2
24	Antistatic ball	1,4462	2

For further special requests please consult our technical/commercial service

Stainless steel

Pos	Description	Material	Q.tà
1	Body	1,4404	1
2	Ball	1,4462	2
3	Stem	1,4462	2
4	Ball seat	PTFE	4
5	Handle	ZINC	2
6	Washer	1,4301	2
7	Washer	1,4301	2
8	Flange	1,4404	2
9	Stem ring	PTFE	2
10	Stem ring	GRAPHITE	2
11	Flange ring	GRAPHITE	2
12	Pin	1,4301	2
13	Stem ring	1,4301	2
14	Spring	1,4301	4
15	Bolts	ASTM A193 B7	8
16	O-ring	NBR	2
17	O-ring	NBR	2
18	Screw	DIN6921 A2	2
19	Nut	1,4301	2
20	Nut	ASTM A194 Gr.H2	8
21	Plug	1,4462	1
22	Bleeder bonnet	1,4462	1
23	Spring	1,4301	2
24	Antistatic ball	1,4462	2