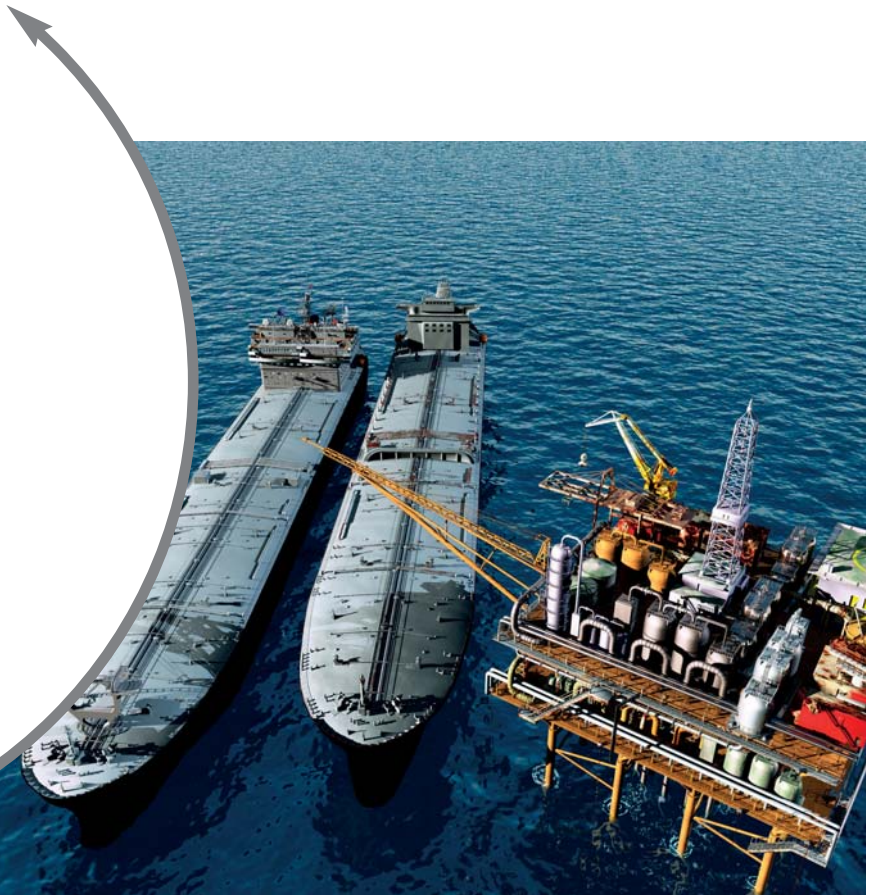





+ SBF-W

2-WAY HIGH PRESSURE BALL VALVES




CARBON STEEL

- Type: ball valve SBF-W 2way 
- Body: round
- Material: 1,0570/1,4404
- Ball seats: from DN13 up to DN150
- O-Rings: NBR, FKM, EPDM, MVQ
- Operating pressure: A150 to 600
- Fire safe BS 6755
- Antistatic device
- Temp range: -30°C to +100°C

SBF-W	A150	DN13	LF2	316L	PTFE	E
Type and way of valve SBF-W 2-way	ASME B16.5 ANSI150 ANSI300 ANSI600	Nominal dimension from DN13 up to DN150	Body and adapter material LF2 1,0570	Stem and ball material 316L 1,4404	Ball seat material A POM D PEEK C PTFE	Adapter and stem seal material B NBR E FKM F EPDM L MVQ

STAINLESS STEEL

- Type: ball valve SBF-W 2way 
- Body: round
- Material: 1,4404
- Ball seats: from DN13 up to DN150
- O-Rings: NBR, FKM, EPDM, MVQ
- Operating pressure: A150 to 600
- Fire safe BS 6755
- Antistatic device
- Temp range: -30°C to +100°C

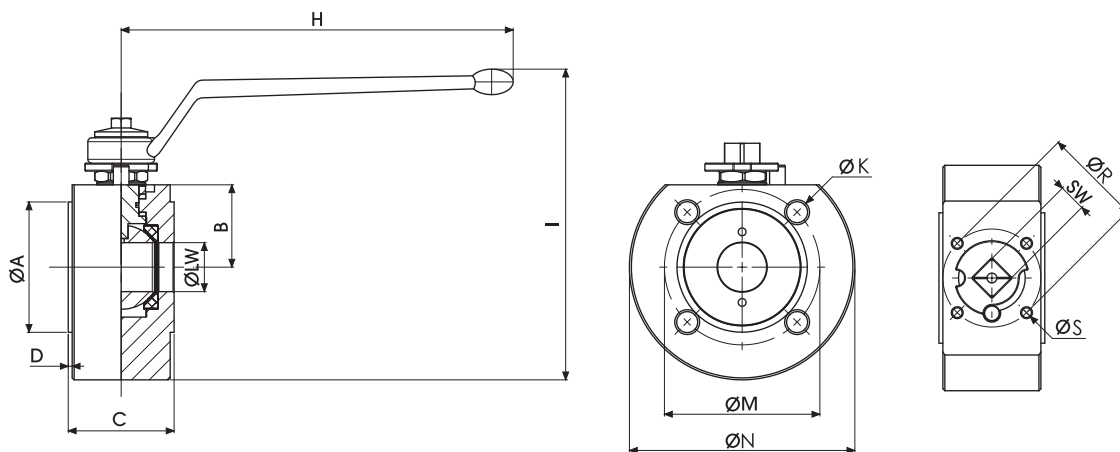
SBF-W	A150	DN13	316L	316L	PTFE	E
Type and way of valve SBF-W 2-way	ASME B16.5 ANSI150 ANSI300 ANSI600	Nominal dimension from DN13 up to DN150	Body and adapter material 316L 1,4404	Stem and ball material 316L 1,4404	Ball seat material A POM D PEEK C PTFE	Adapter and stem seal material B NBR E FKM F EPDM L MVQ

SBF-W



+ SBF-W 2-WAY HIGH PRESSURE BALL VALVES

Specialist in Ball Valves



SBF-W

Standard

*stem with key

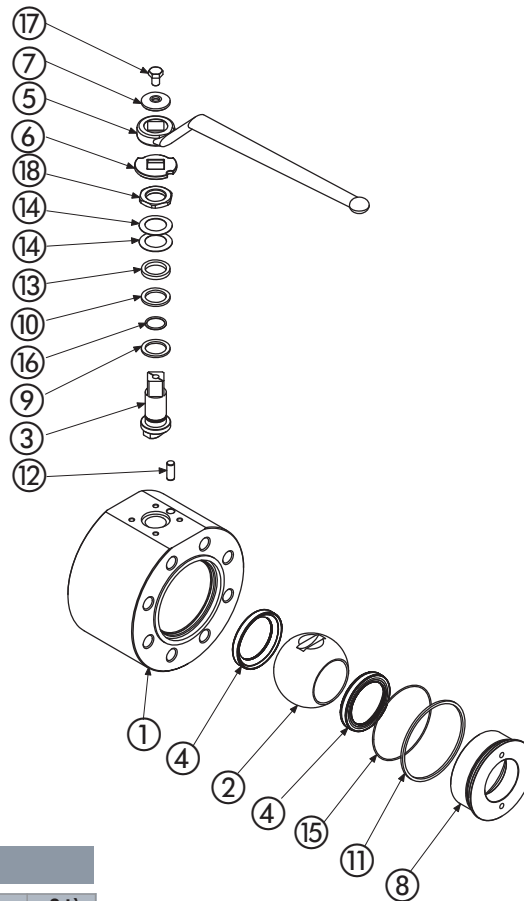
DN	CLASS	LINE ØE	ØM	ØK	n°ØK	ØA	D	B	C	ØN	I	H	ØLW	ØR	ØS	SW/CH	KG	CARBON STEEL	STAINLESS STEEL
																		CARBON STEEL	STAINLESS STEEL
1/2	#150	89	60,3	M12	4	45	2	34	36	95	85	110	13	36	M5	9	1,5	G514404A1505BAA	G514404A2305BAA
3/4	#150	100	69,9	M12	4	57	2	38	46	105	95	200	20	42	M5	14	2,5	G514405A1505BAA	G514405A2305BAA
1"	#150	108	79,3	M12	4	66,5	2	42	54	115	101	200	25	50	M6	14	4	G514406A1505BAA	G514406A2305BAA
1 1/4	#150	115	88,9	M12	4	76	2	48,5	54	140	108	200	32	50	M6	14	5,2	G514407A1505BAA	G514407A2305BAA
1 1/2	#150	125	98,4	M12	4	85	2	57	63	150	136	300	40	50	M6	17	7,3	G514408A1505BAA	G514408A2305BAA
2"	#150	150	120,7	M16	4	102	2	64	83	165	143	300	49	50	M6	17	11,8	G514410A1505BAA	G514410A2305BAA
2 1/2	#150	180	139,7	M16	4	122	2	80	107	185	176	650	63	70	M8	19	17,6	G514412A1505BAA	G514412A2305BAA
3"	#150	190	152,4	M16	4	136	2	88	120	200	184	650	74	70	M8	19	25	G514414A1505BAA	G514414A2305BAA
4"	#150	230	190,5	M16	8	174	2	107	152	230	206	650	100	102	M10	24	38	G514418A1505BAA	G514418A2305BAA
6"	#150	280	241,3	M18	8	216	2	156	255	330	234,5	-	150	165	22	Ø50*	132	G514422A1505BAA	G514422A2305BAA
1/2	#300	95	66,7	M12	4	45	2	34	36	95	85	110	13	36	M5	9	1,5	G514404A1505DAA	G514404A2305DAA
3/4	#300	115	82,6	M16	4	58	2	44	46	115	95	200	20	42	M5	14	2,5	G514405A1505DAA	G514405A2305DAA
1"	#300	125	88,9	M16	4	68	2	48	54	125	101	200	25	50	M6	14	4,6	G514406A1505DAA	G514406A2305DAA
1 1/4	#300	135	98,4	M16	4	78	2	48,5	54	140	108	200	32	50	M6	14	5,2	G514407A1505DAA	G514407A2305DAA
1 1/2	#300	155	114,3	M18	4	88	2	57	63	155	136	300	40	50	M6	17	7,3	G514408A1505DAA	G514408A2305DAA
2"	#300	165	127	M16	8	102	2	78	100	165	160	300	49	50	M6	17	15	G514410A1505DAA	G514410A2305DAA
2 1/2	#300	190	149,2	M18	8	122	2	85	125	190	176	650	63	70	M8	19	21	G514412A1505DAA	G514412A2305DAA
3"	#300	210	168,3	M18	8	138	2	88	150	215	184	650	74	70	M8	19	35	G514414A1505DAA	G514414A2305DAA
4"	#300	255	200	M18	8	174	2	112	185	255	211	650	100	102	M10	24	58	G514418A1505DAA	G514418A2305DAA
6"	#300	320	269,9	M18	12	216	2	156	255	330	234,5	-	150	165	22	Ø50*	132	G514422A1505DAA	G514422A2305DAA
1/2	#600	95	66,7	M12	4	45	2	37	55	105	85	110	13	36	M5	9	3	G514404A1505FAA	G514404A2305FAA
3/4	#600	115	82,6	M16	4	58	2	44	60	130	95	200	20	42	M5	14	5	G514405A1505FAA	G514405A2305FAA
1"	#600	124	88,9	M16	4	68	2	48	65	140	101	200	25	50	M6	14	6,5	G514406A1505FAA	G514406A2305FAA
1 1/4	#600	135	98,4	M16	4	78	2	55	75	155	108	200	32	50	M6	14	9	G514407A1505FAA	G514407A2305FAA
1 1/2	#600	155	114,3	M18	4	88	2	62	85	170	136	300	40	50	M6	17	12,4	G514408A1505FAA	G514408A2305FAA
2"	#600	165	127	M16	8	102	2	78	100	165	160	300	49	50	M6	17	15	G514410A1505FAA	G514410A2305FAA
2 1/2	#600	190	149,2	M18	8	122	2	85	125	190	176	650	63	70	M8	19	21	G514412A1505FAA	G514412A2305FAA
3"	#600	210	168,3	M18	8	138	2	88	150	215	184	650	74	70	M8	19	35	G514414A1505FAA	G514414A2305FAA
4"	#600	275	215,9	M22	8	162	2	125	185	275	218	650	100	102	M10	24	70	G514418A1505FAA	G514418A2305FAA
6"	#600	355	292,1	M24	12	216	2	156	280	355	246,5	-	150	165	22	Ø50*	174	G514422A1505FAA	G514422A2305FAA

The company reserves the right to operate dimensional changes without prior notice.

+ SBF-W 2-WAY HIGH PRESSURE BALL VALVES

www.gemels.it

2017 - Edition 1



Carbon steel

Pos	Description	Material	Q.tà
1	Body	1,0570	1
2	Ball	1,4404	1
3	Stem	1,4404	1
4	Ball seat	RPTFE	2
5	Handle	1,0116	1
6	Washer	1,4301	1
7	Washer	1,4301	1
8	Ring nut	1,0570	1
9	Stem ring	PTFE	1
10	Up ring	GRAPHITE	1
11	Flange ring	GRAPHITE	1
12	Spine	1,4301	1
13	Press ring	1,4301	1
14	Spring	1,4301	2
15	Ring nut o-ring	FKM	1
16	Stem o-ring	FKM	1
17	Screw	DIN6921 A2	1
18	Nut	1,4301	1

Stainless steel

Pos	Description	Material	Q.tà
1	Body	1,4404	1
2	Ball	1,4404	1
3	Stem	1,4404	1
4	Ball seat	RPTFE	2
5	Handle	1,0116	1
6	Washer	1,4301	1
7	Washer	1,4301	1
8	Ring nut	1,0570	1
9	Stem ring	PTFE	1
10	Up ring	GRAPHITE	1
11	Flange ring	GRAPHITE	1
12	Spine	1,4301	1
13	Press ring	1,4301	1
14	Spring	1,4301	2
15	Ring nut o-ring	FKM	1
16	Stem o-ring	FKM	1
17	Screw	DIN6921 A2	1
18	Nut	1,4301	1

For further special requests please consult our technical/commercial service

On request

- Reduced bore
- O-Ring in FKM, EPDM, HNBR, KALREZ
- Seals in PTFE, PEEK, PA612, GEMPTFE, METAL TO METAL
- Pneumatic and electrical actuator
- Locking device

On request

- Reduced bore
- O-Ring in FKM, EPDM, HNBR, KALREZ
- Seals in PTFE, PEEK, PA612, GEMPTFE, METAL TO METAL
- Pneumatic and electrical actuator
- Locking device

SBF-W