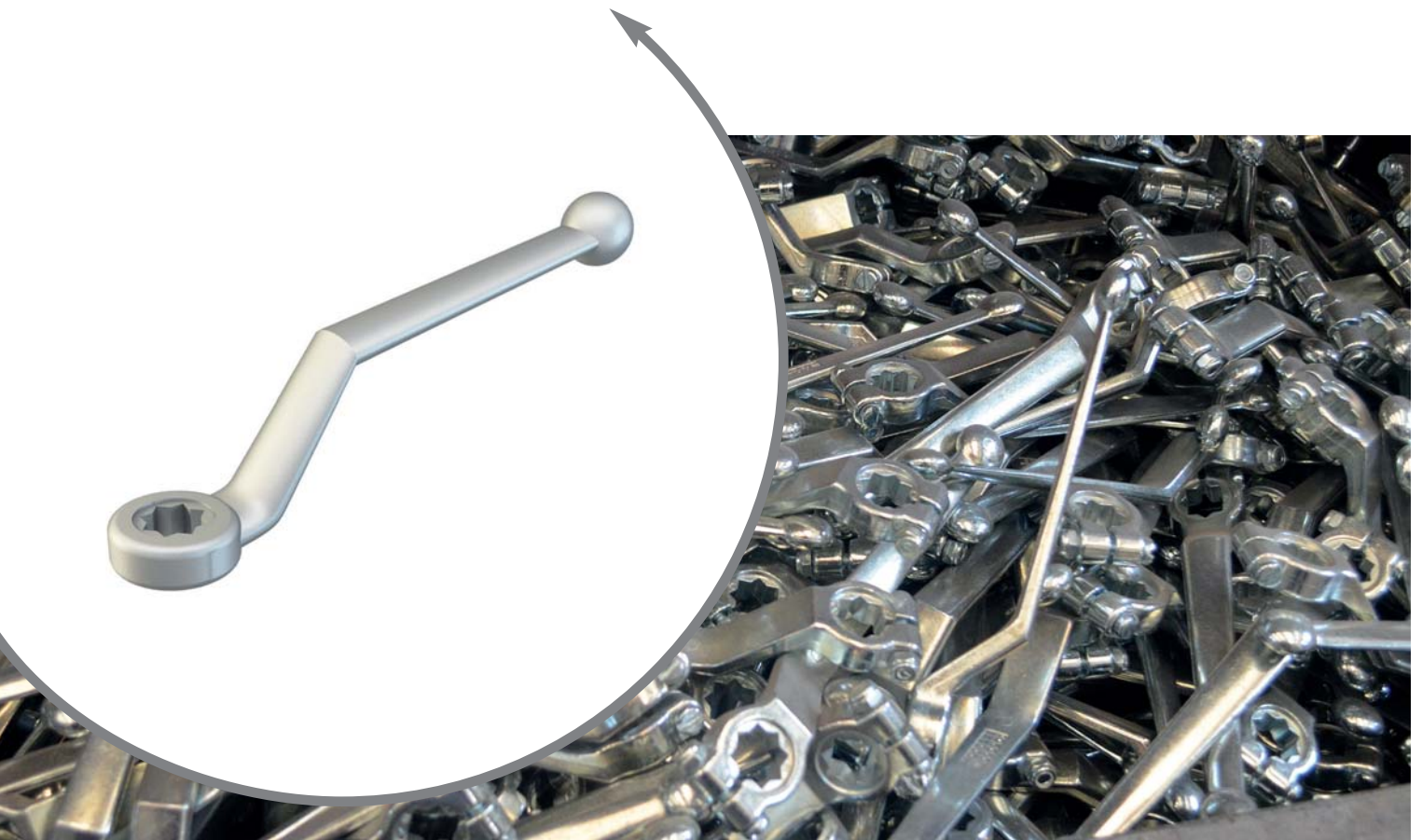




+ Handles



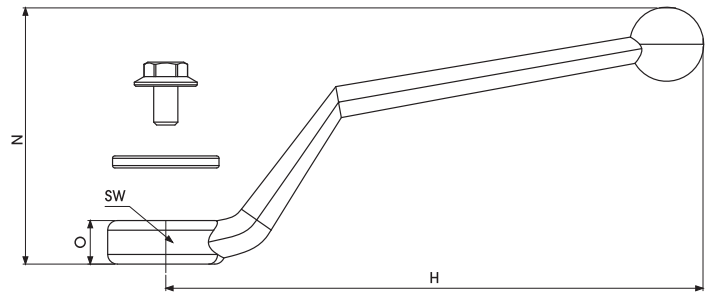
- BENT HANDLES**
- BUTTERFLY HANDLES**
- CUT BENT HANDLES**
- CUT STRAIGHT HANDLES**
- PIPE HANDLES**
- SHORT HANDLES**
- STRAIGHT HANDLES**

Handles



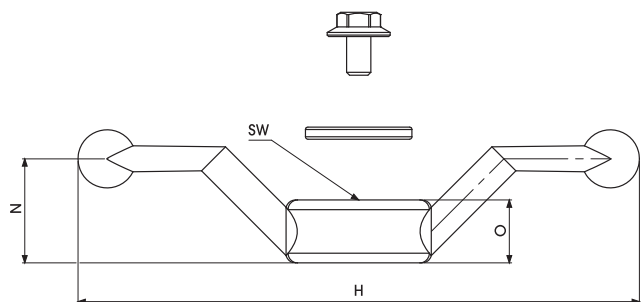
+ Handles

Specialist in Ball Valves



BENT HANDLES

SW	H	N	O	MATERIAL	TREATMENT	WEIGHT Kg	HANDLE CODE	KIT CODE
9	110	53	9	ZAMAK	CHROMING	0,082	C001010ZC	KOL0011ZZ
9	110	53	9	CARBON STEEL	GALVANIZED	0,097	C001010ZZ	KOL0011ZZ
9	110	53	9	STAINLESS STEEL	-	0,098	C0010106H	KOL00116H
14	180	48	13	ZAMAK	CHROMING	0,18	C008550ZC	KOL0016ZZ
14	180	48	14	CARBON STEEL	GALVANIZED	0,248	C006920ZZ	KOL0015ZZ
14	180	48	14	STAINLESS STEEL	-	0,257	C0069206H	KOL00156H
17	300	71	14	CARBON STEEL	GALVANIZED	0,662	C009250ZZ	KBL0013ZZ
17	300	71	14	STAINLESS STEEL	-	0,675	C0092506H	KBL00136H

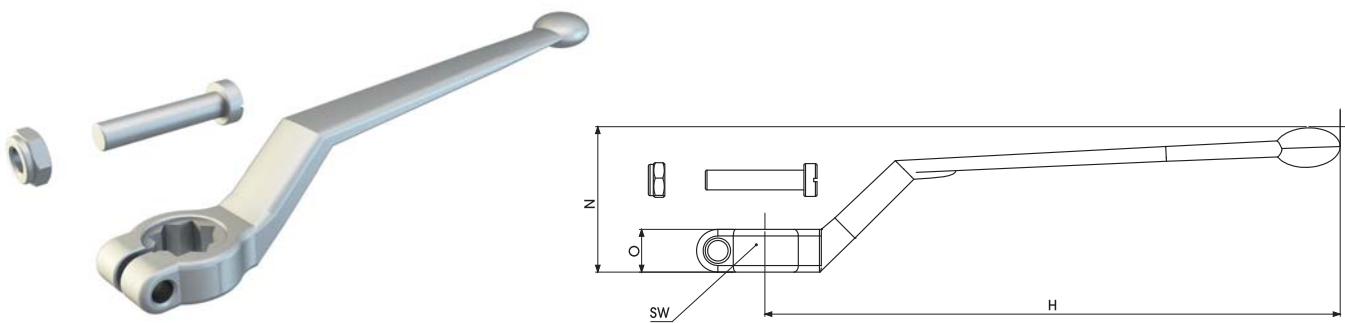


BUTTERFLY HANDLES

SW	H	N	O	MATERIAL	TREATMENT	WEIGHT Kg	HANDLE CODE	KIT CODE
9	116	27,5	13	ZAMAK	GALVANIZED	0,107	C010740ZZ	KOL0018ZZ
14	116	27,5	13	ZAMAK	GALVANIZED	0,097	C010750ZZ	KOL0019ZZ

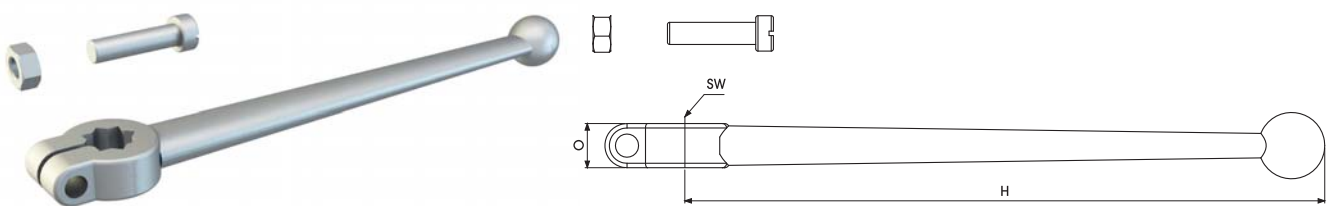
+ Handles

www.gemels.it



CUT BENT HANDLES

SW	H	N	O	MATERIAL	TREATMENT	WEIGHT Kg	HANDLE CODE	KIT CODE
14	180	53	13	ZAMAK	CHROMING	0,195	C001200ZC	KEL007ZZ
14	330	71	14	ALLUMINIUM	RED PAINTED	0,222	C000360AV	KBL0010HV



CUT STRAIGHT HANDLES

SW	H	N	O	MATERIAL	TREATMENT	WEIGHT Kg	HANDLE CODE	KIT CODE
9	145	10	-	ZAMAK	CHROMING	0,042	C000020ZC	KEL006ZZ
14	300	14	-	ALLUMINIUM	RED PAINTED	0,208	C002890AV	KBL009HV



PIPE HANDLES

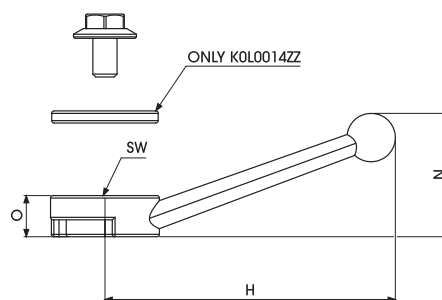
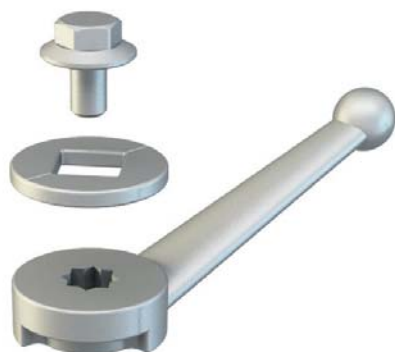
SW	H	N	O	MATERIAL	TREATMENT	WEIGHT Kg	HANDLE CODE	KIT CODE
19	650	73,5	-	CARBON STEEL	GALVANIZED	2,112	C001250ZC	KOL0020ZZ
19	650	73,5	-	STAINLESS STEEL	-	2,312	C0012504H	KOL00206H
24	650	78	-	CARBON STEEL	GALVANIZED	3,912	C001250ZC	KOL0021ZZ

Handles

+ Handles

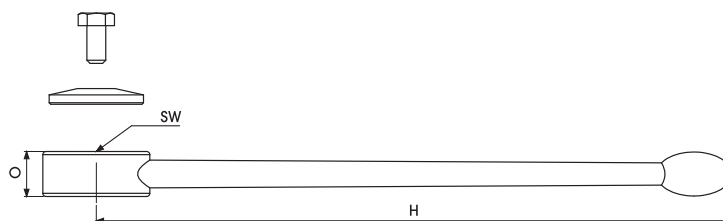
www.gemels.it

2017 - Edition 3



SHORT HANDLES

SW	H	N	O	MATERIAL	TREATMENT	WEIGHT Kg	HANDLE CODE	KIT CODE
6	60	25,50	8,5	ZAMAK	RED PAINTED	0,024	C001490ZV	K1LT117ZV
9	60	25,50	8,5	ZAMAK	GALVANIZED	0,022	C009490ZC	K0L0014ZZ



STRAIGHT HANDLES

SW	H	N	O	MATERIAL	TREATMENT	WEIGHT Kg	HANDLE CODE	KIT CODE
14	200	-	14	ALLUMINIUM	RED PAINTED	0,109	C002950AV	KELO08HV
17	300	-	13	CARBON STEEL	GALVANIZED	0,457	C0081302Z	K0L00122Z
17	300	-	13	STAINLESS STEEL	-	0,467	C0081306H	K0L00126H