



Handlevers

- Lengths from 120 to 400 mm / from 4.72 to 15.75 in with thread M8, M10, M12
- Available with different models of handles

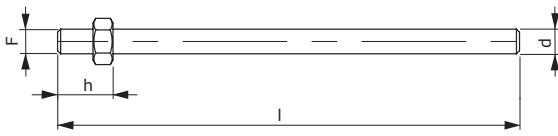
General features

Rod material	zinc-coated steel
Knob material	thermoplastic or thermosetting resins
Ambient temperature	from -20°C to 60°C / from -4°F to 140°F

NOTE - For different conditions, please contact our Sales Dept

Without microswitches

AL00: without handles



F	h (thread)		l	d		Code	
M8	19	0.75	120	4.72	8	0.32	170011214
			150	5.91			170011215
			200	7.87			170011220
			250	9.84			170011225
M10	24	0.94	150	4.72	10	0.39	170012215
			200	7.87			170012220
			250	9.84			170012224
			300	11.8			170012230

AL02: black moulded thermoplastic resin knob with pressure mounting



F	h (thread)		l	Code	
M8	18	0.71	158	6.22	170011216
M10	22	0.87	159	6.26	170012016
			209	8.23	170012022
M12	28	1.10	219	8.62	170013021

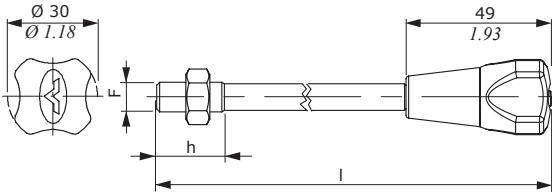
AL01: black cylindrical thermoplastic resin knob with pressure mounting



F	h (thread)		l	d	m		Code		
M8	18	0.71	127	5.00	20	0.79	50	1.97	170011012
			157	6.18					170011015
			206	8.11					170011020
			256	10.08					170011226
M10	22	0.87	256	10.08	22	0.87	60	2.36	170011230
			306	12.05					170011236
			356	14.01					170011241
			406	15.98					170012015
M12	28	0.71	156	6.14	26	1.02	72	2.83	170012015
			206	8.11					170012020
			256	10.08					170012025
			306	12.05					170012030
M10	22	0.87	356	14.01	22	0.87	60	2.36	170012035
			406	15.98					170012040
			206	8.11					170013020
			256	10.08					170013025
M12	28	0.71	306	12.05	26	1.02	72	2.83	170013030
			356	14.01					170013035
			406	15.98					170013040

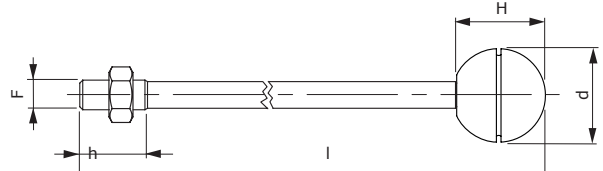
Without microswitches

AL03: red moulded thermoplastic resin knob with pressure mounting



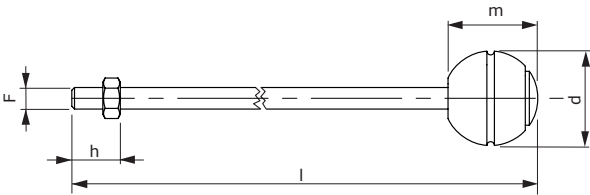
F	h (thread)	l	Code
M8	18 0.71	158 6.22	170011217
M10	22 0.87	158 6.22	170012017
		208 8.19	170012023

AL04: black spherical thermosetting resin knob with pressure mounting



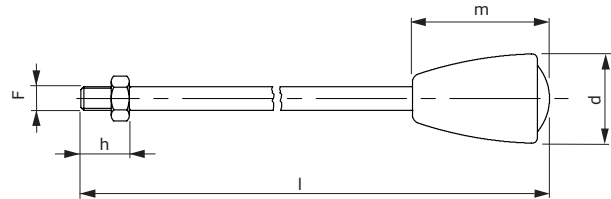
F	h (thread)	l	d	m	Code
M10	22 0.87	210 7.87	30 1.18	28 1.10	170012223
		260 9.84			170012226
M12	28 1.10	220 7.87	40 1.57	38.5 1.52	170013019
		270 9.84			170013027

AL06: black spherical thermosetting resin knob with portlight and pressure mounting



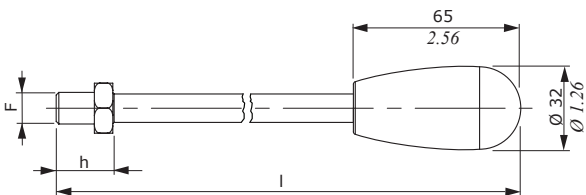
F	h (thread)	l	d	m	Code
M8	19 0.75	220 8.66	35 1.38	33.5 1.32	170011255
M10	22 0.87	220 8.66	40 1.57	38.5 1.52	170012221

AL07: black ogival thermosetting resin knob with portlight and pressure mounting



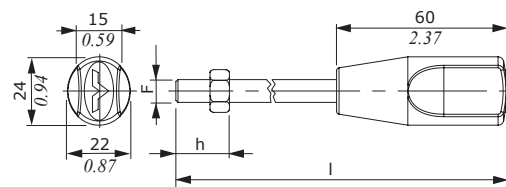
F	h (thread)	l	d	m	Code
M8	19 0.75	163 6.42	32 1.26	45 1.77	170011219
		213 8.38			170011222
M10	22 0.86	224 8.82	32 1.26	49 1.93	170012222

AL08: Black ogival thermosetting resin knob with M10 thread mounting



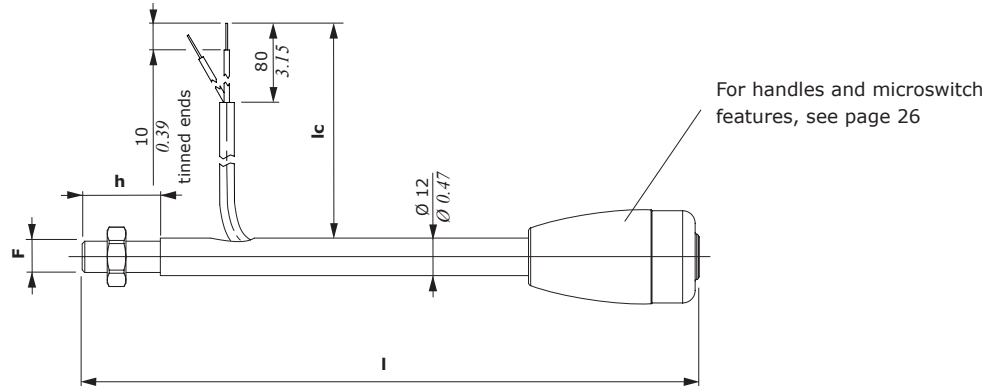
F	h (thread)	l	Code
M12	22 0.87	160 6.30	170013115
		210 8.27	170013120
		260 10.24	170013125
		310 12.20	170013130
		361 14.21	170013135

AL11: black thermoplastic resin knob, injection molded on rod



F	h (thread)	l	Code
M8	19 0.43	162 6.38	170408150
		212 8.35	170408200
		250 9.84	170408250
M10	24 0.94	165 6.50	170410150
		215 8.46	170410200
		265 10.43	170410250

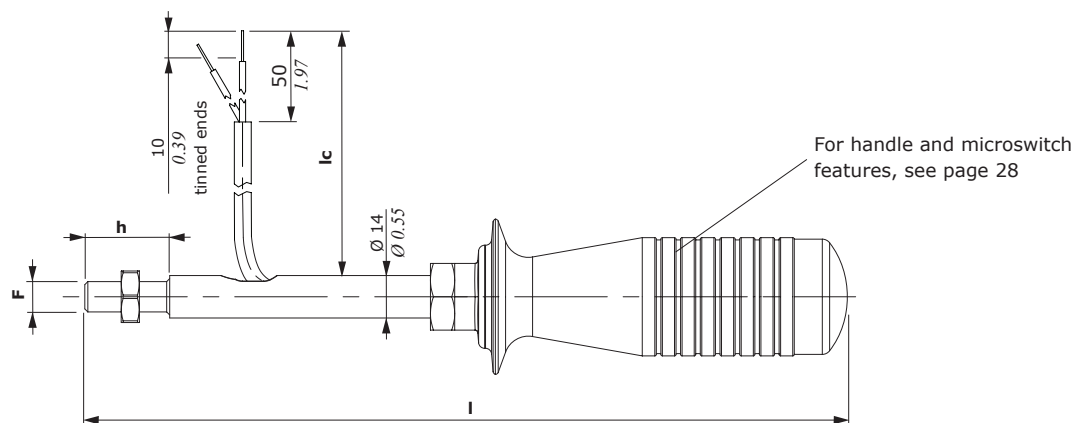
With microswitch and J series handle



Type	knob (page 26)	F=M10							F=M12						
		h (thread)		l	lc		Code	h (thread)		l	lc		Code		
AL24	JJ type	25	0.98	150	5.91	480	18.9	1702J2415	25	0.98	200	7.87	430	16.9	1702J3420
		200	7.87	430	16.9	1702J2420	250	9.84			380	15.0	1702J3425		
AL25	JL type	25	0.98	150	5.91	480	18.9	1702L2415	25	0.98	200	7.87	430	16.9	1702L3420
		200	7.87	430	16.9	1702L2420	250	9.84			380	15.0	1702L3425		
AL26	JM type	25	0.98	150	5.91	480	18.9	1702M2415	25	0.98	200	7.87	430	16.9	1702M3420
		200	7.87	430	16.9	1702M2420	250	9.84			380	15.0	1702M3425		
AL27	JN type	25	0.98	150	5.91	480	18.9	1702N2415	25	0.98	200	7.87	430	16.9	1702N3420
		200	7.87	430	16.9	1702N2420	250	9.84			380	15.0	1702N3425		
AL28	JP type	25	0.98	150	5.91	480	18.9	1702P2415	25	0.98	200	7.87	430	16.9	1702P3420
		200	7.87	430	16.9	1702P2420	250	9.84			380	15.0	1702P3425		
AL29	JQ type	25	0.98	150	5.91	480	18.9	1702Q2415	25	0.98	200	7.87	430	16.9	1702Q3420
		200	7.87	430	16.9	1702Q2420	250	9.84			380	15.0	1702Q3425		

NOTE - For uncoded configurations or cables with no standard length, contact our Sales Dept.

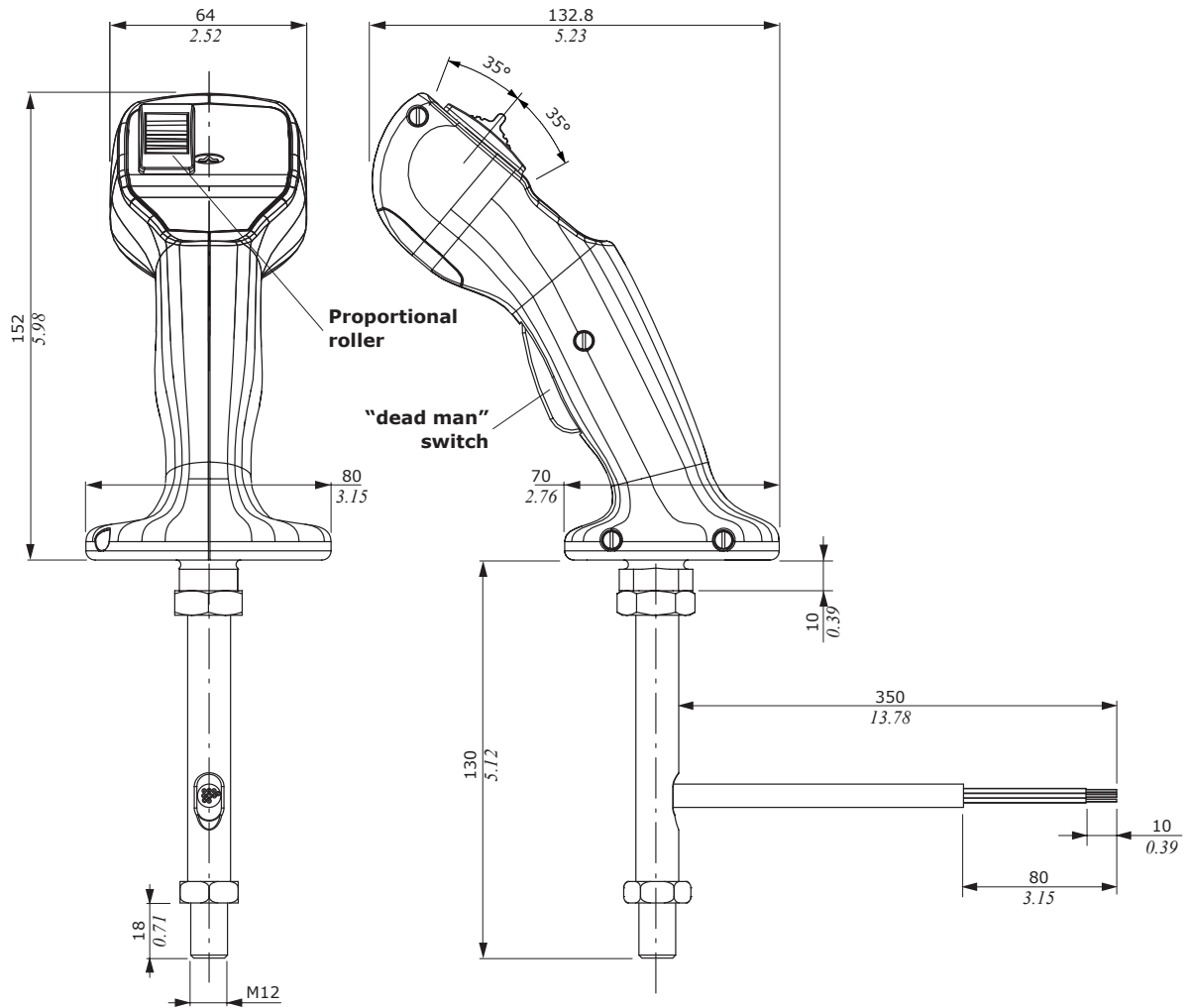
With microswitch and 10 series handle



Type	Handle (page 28)	F=M10						F=M12							
		h (thread)		l	lc	Code	h (thread)	l	lc	Code					
AL14	W type	28	1.10	250	9.84	/	1701W2525	25	0.98	250	9.84	/	1701W3525		
				250	9.84	425	16.7			1701X2525	250	9.84	425	16.7	1701X3525
AL15	X type	25	0.98	300	11.8	375	14.8	1701X2530	25	0.98	300	11.8	375	14.8	1701X3530
				350	13.8	325	12.8	1701X2535			350	13.8	325	12.8	1701X3535
				250	9.84	425	16.7	1701Z2525			250	9.84	425	16.7	1701Z3525
AL16	Z type	25	0.98	300	11.8	375	14.8	1701Z2530	25	0.98	300	11.8	375	14.8	1701Z3530
				350	13.8	325	12.8	1701Z2535			350	13.8	325	12.8	1701Z3535
				250	9.84	425	16.7	1701Y2525			250	9.84	425	16.7	1701Y3525
AL17	Y type	25	0.98	300	11.8	375	14.8	1701Y2530	25	0.98	300	11.8	375	14.8	1701Y3530
				350	13.8	325	12.8	1701Y2535			350	13.8	325	12.8	1701Y3535
				250	9.84	425	16.7	1701K2525			250	9.84	425	16.7	1701K3525
AL18	K type	25	0.98	300	11.8	375	14.8	1701K2530	25	0.98	300	11.8	375	14.8	1701K3530
				350	13.8	325	12.8	1701K2535			350	13.8	325	12.8	1701K3535
				250	9.84	425	16.7	1701T2525			250	9.84	425	16.7	1701T3525
AL19	T type	25	0.98	300	11.8	375	14.8	1701T2530	25	0.98	300	11.8	375	14.8	1701T3530
				350	13.8	325	12.8	1701T2535			350	13.8	325	12.8	1701T3535

NOTE - For uncoded configurations or cables with no standard length, contact our Sales Dept.

Handlever with P series handle

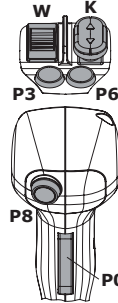
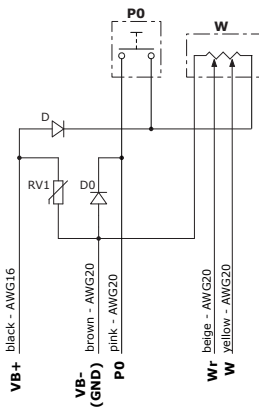


Handlever with P series handle

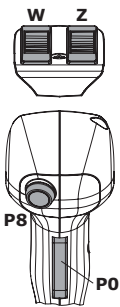
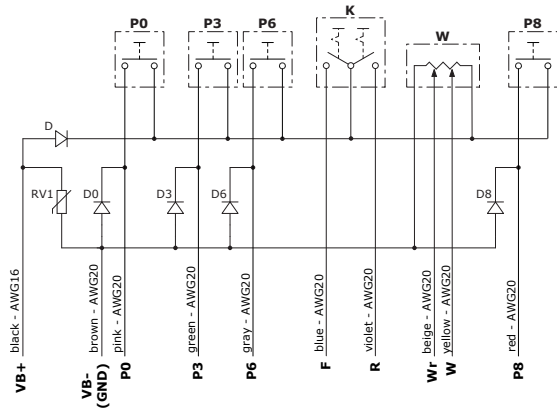
Configurations



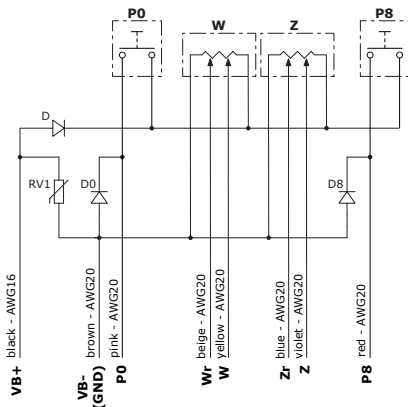
Code	170800068
Description	AL80-PZA0100D0-ORD035-WN130035(RV)-M12x280
Plate	1 proportional roller (W)
Frontal zone	"Dead man" switch (P0)
Lever	M12x280



Code	170800035
Description	AL80-PZTM2110C0-ORD035-3R2D035-6R2D035-8R2D035-WN130035-KRS035(RV)-M12x280
Plate	2 push-buttons with spring return (P3-P6), proportional roller (W), FNR rocker switch (K)
Frontal zone	"Dead man" switch (P0), 1 push-button with spring return (P8)
Lever	M12x280



Code	170800036
Description	AL80-PZMM0200B0-ORD035-8R2D035-WN130035-ZN130035-(D2F12)-(TC-PROT)-M12x280
Plate	2 proportional rollers (W-Z)
Frontal zone	"Dead man" switch (P0), 1 push-button with spring return (P8)
Lever	M12x280



NOTE - For different joint see page 4.

For different handle configurations, contact our Sales Dept.