

MFE2

MULTIFUNCTION ERGONOMIC HANDLE



MULTIFUNCTION ERGONOMIC HANDLES MFE2

INTRODUCTION

The MFE2 handle is fully customizable with a wide range of digital and analog controls, to meet customer needs. Now the free space has been increased to control more function on mobile machines.

Safety functions can be managed with standard safety trigger switch or using the Safe-T Grip® system, with a capacitive sensor that allow to control safety function in comfortable way.

BENEFITS

- Ergonomic design for comfortable usage
- Wide range of controls available
- Rugged construction for long operating life
- Spare parts available for maintenance
- Suitable for arm rest of console mounting
- Compatible with a wide range of product
- Stylish good looks suitable for modern cabs
- Ready for CANBUS applications
- Safety Trigger or Safe-T Grip® available
- Optional electronic card inside for custom functions

CONTROLS AVAILABLE *

Push Button type C

Protection: IP67
 Rating: 5 Amps resistive @ 28VDC
 Color available: Black, White, Blue, Yellow, Orange, Gray, Green, Red
 Options available: Internal Led, Latched action
 Mechanical life: 100000 cycles



Proportional Roller

Protection: IP68S
 Supply voltage: 5 VDC
 Output Voltage: 0.5 -4.5 V with 2.5 V in neutral position
 Options available: Spring return to center, Frictioned, With lever
 Mechanical life: 1000000 cycles



Rocker Switch

Protection: IP68S
 Rating: 10 Amps resistive @ 28VDC
 Colors available: Black, Red
 Options available: Led, Latched or momentary action, 2 or 3 position
 Mechanical life: 100000 cycles



Four Ways switch

Protection: IP6 8S
 Rating: 1 Amp inductive, 10 mA resistive @ 28VDC
 Electrical life: 100000 cycles



Signaling Led

Colors available: White, Red, yellow, Green, Blue
 Supply voltage 12 or 24 VDC
 Mounted on panel with support



Four Ways proportional mini-joystick

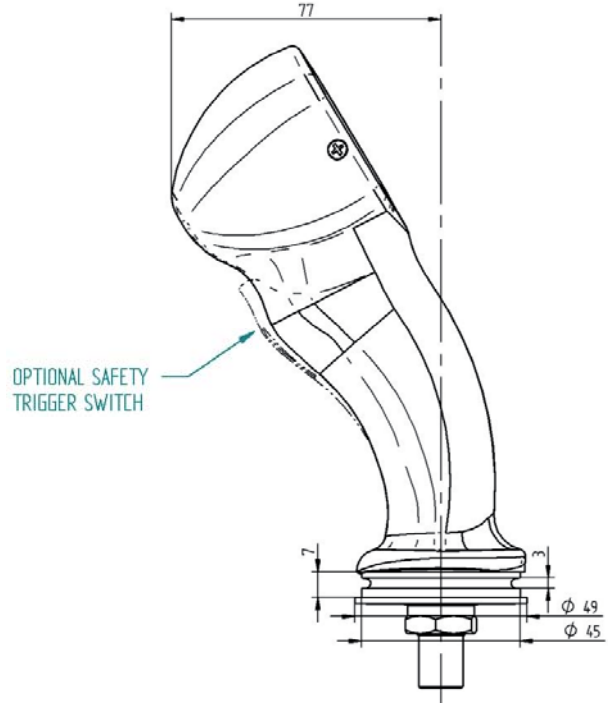
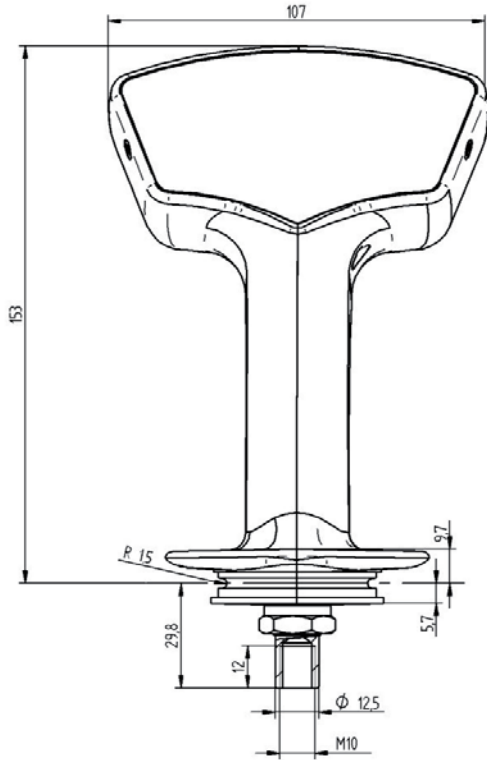
Protection: IP6 8S
 Linear hall effect sensors, 2 Axis
 Supply voltage: 5 VDC
 Output Voltage: 0.5-4.5 V with 2.5 V in neutral, for each axis
 Mechanical life: 100000 cycles



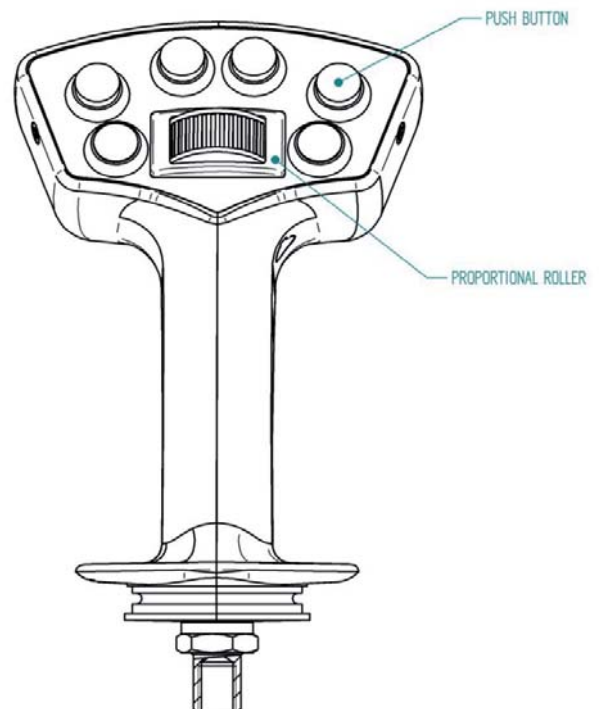
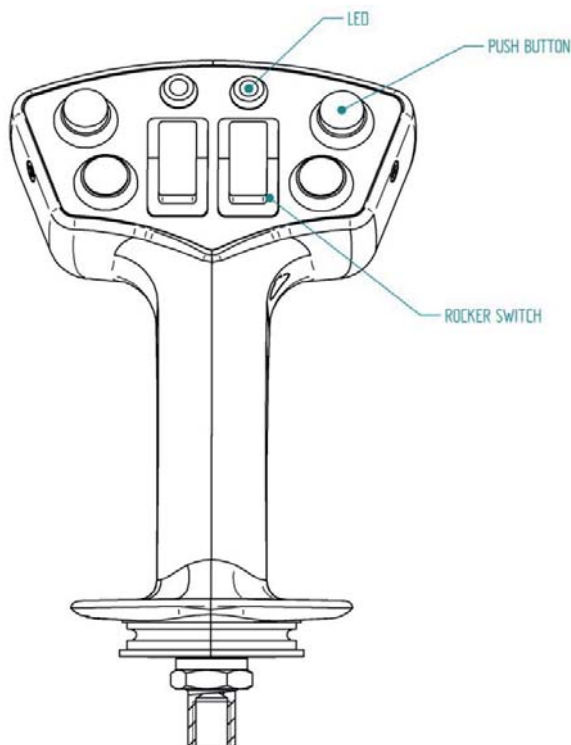
* Other controls available on request .

MULTIFUNCTION ERGONOMIC HANDLES MFE INSTALLATION DRAWING

HANDLE DIMENSION



CONFIGURATION EXAMPLES



MULTIFUNCTION ERGONOMIC HANDLES MFE2 ORDER CODE

MFE2	-	XX	-	XXX	-	X	X
------	---	----	---	-----	---	---	---

Wiring termination

0 = flying leads

2 = with connector (maker and model number to be specified on order)

Safety trigger

X = no safety trigger

T = with standard safety trigger

TCAP = with capacitive safety trigger

Rocker switch or Roller in positions A ÷ L

G R1 = R1 Rocker in position G

First letter= position, other 2 letters: control type. Repeat if necessary.

RL = Proportional Roller with lever; RP = Proportional roller without lever; RF = Proportional roller frictioned without lever; R1 = Latched rocker switch 3 position; R2 = Latched rocker switch 2 position; R3 = Momentary rocker switch 3 position.

Push button/switch in positions 1 ÷ 9

For each control selected, insert position number and ID letter chosen on the following list. Example : For a push button blue in pos 2 and a minijoystick in pos 5, type 2B 5J

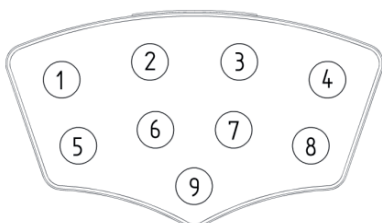
X = no button switch	Y = yellow push button
B = blue push button	A = gray push button
K = black push button	R = red push button
G = green push button	W = white push button
O = orange push button	L = signalling led
D = four ways switch	J = four ways proportional

MFE2 = Multifunction Ergonomic Handle

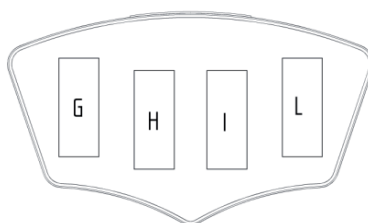
** For special configuration, please contact us

POSITIONS FOR CONTROLS

Standard positions for push button, led, four ways switch and prop. mini joystick



Standard positions for rocker and proportional roller, vertical mounted



Standard positions for rocker and proportional roller, horizontal mounted

