
JMPIAZ - JMPID Electronic remote current control unit

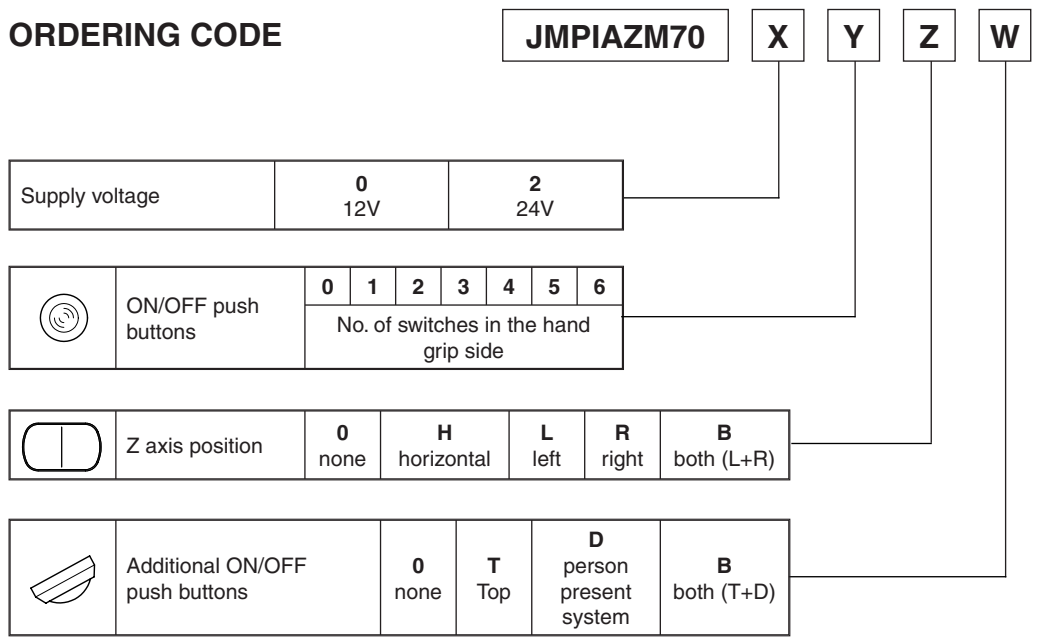


JMPIAZ joystick is a strong and compact device, whose ergonomic shape is handily organised.

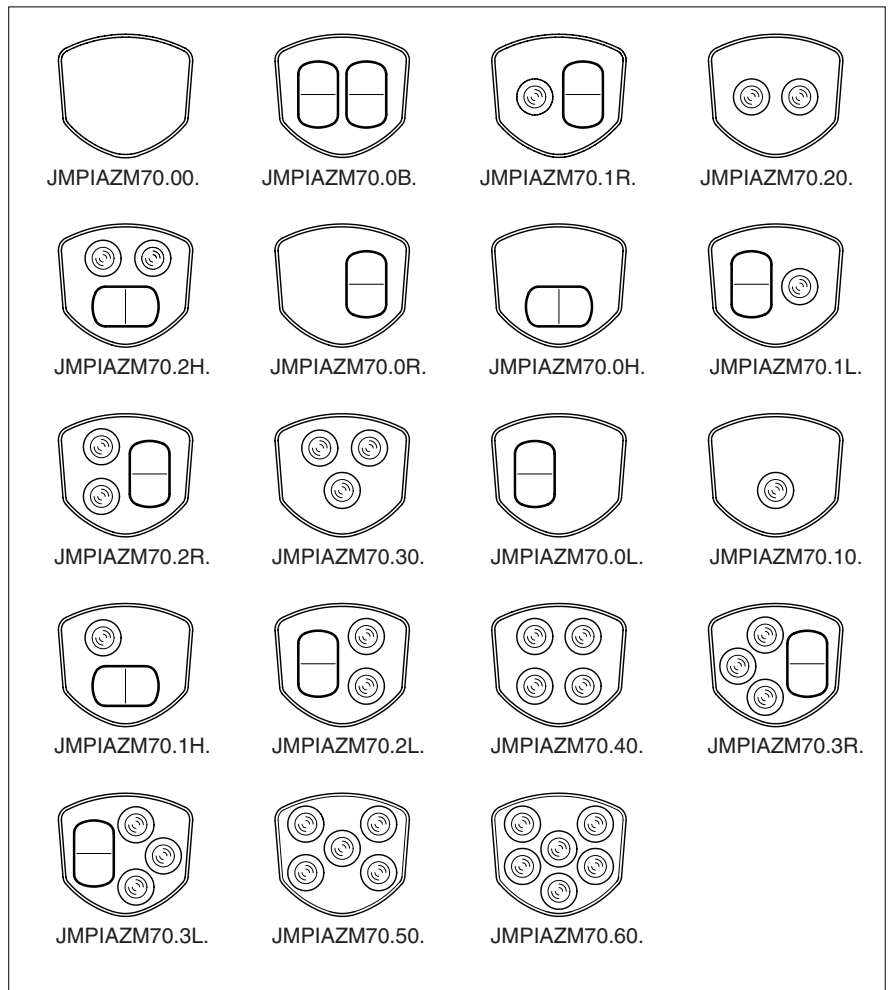
The person present system switch and many other remote control functions can be implemented and operated conveniently. It is developed to meet mobile machinery market requirements, where it is increasingly important to handle the power transmission supply with integrated remote control.

JMPIAZ is simple to fit and replace and is made up of a standard module with two proportional axes and a hand grip that can house several combinations of other proportional axes (up to 4) and ON/OFF outputs.

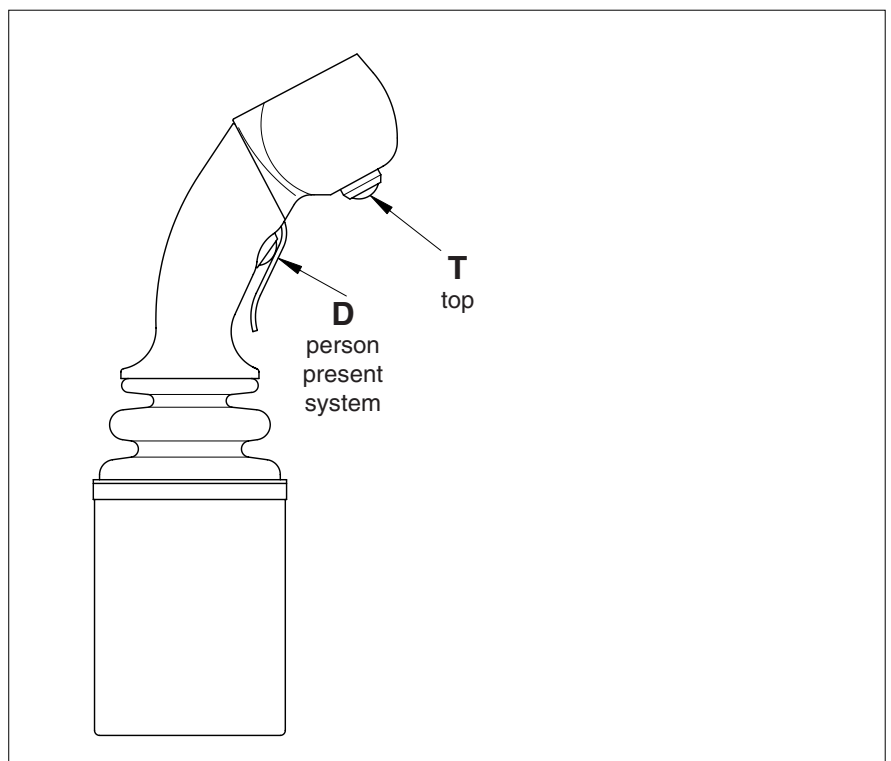
This joystick allows all the electronic features of ramp generator function, electronic flow adjustment, and dead band compensation (only for proportional axes).



ON/OFF push buttons (Y)
and Z axis position (Z)



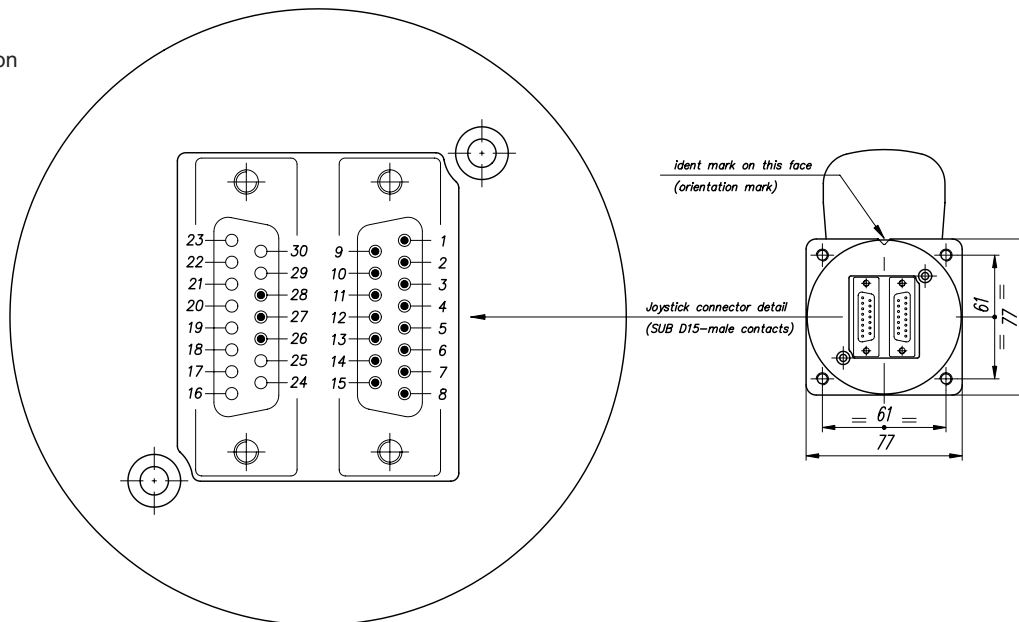
Additional ON/OFF push
buttons (W)



Dimensions and electrical details

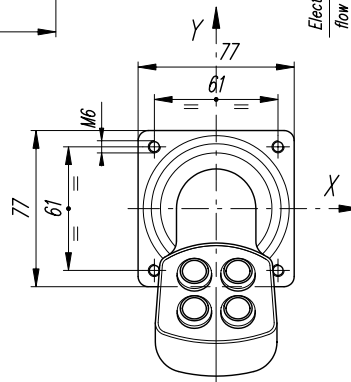
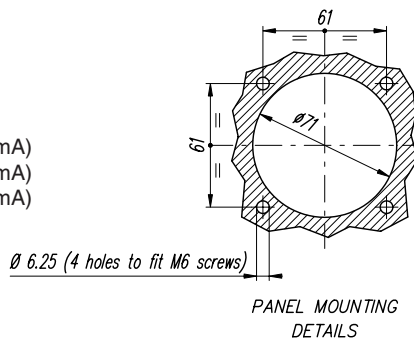
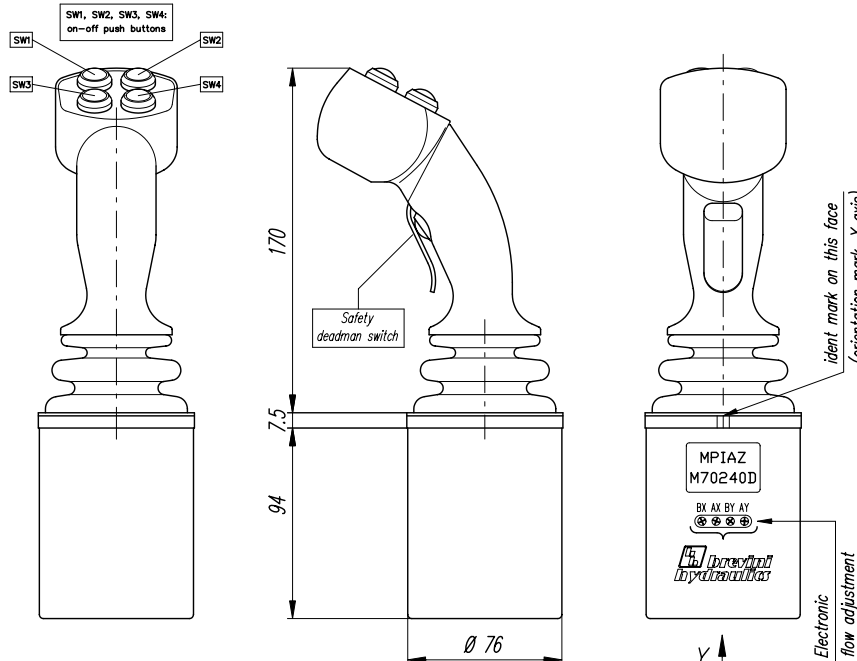
JMPIAZM70240D

- 4 ON/OFF push buttons in hand grip side
- NO Z axis
- deadman push button

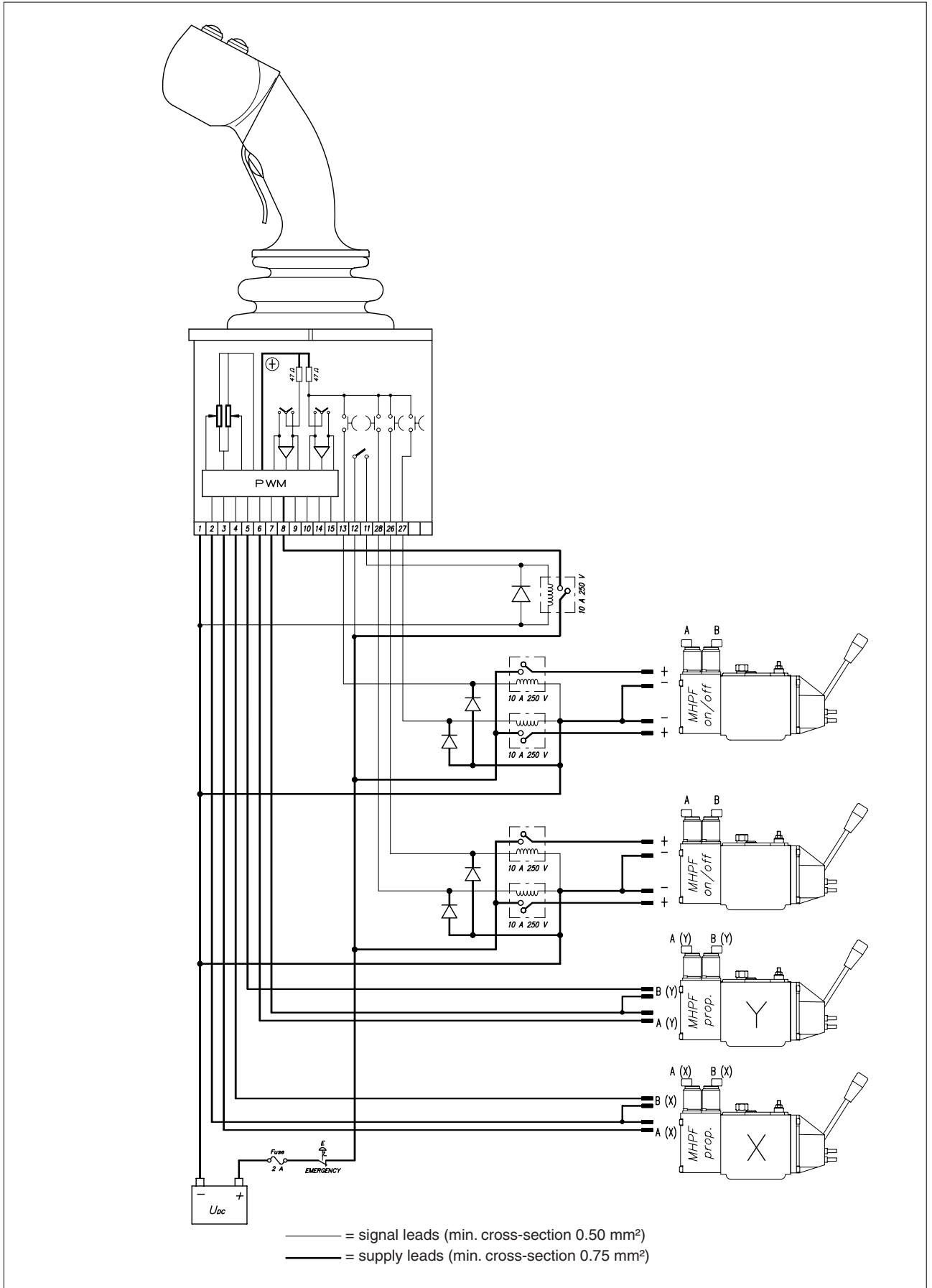


JMPIAZM70040D (12 V)
 JMPIAZM70240D (24 V)

- 1 = U-
- 2 = A / B common X axis
- 3 = A output control, X axis
- 4 = B output control, X axis
- 5 = B output control, Y axis
- 6 = A output control, Y axis
- 7 = A / B common Y axis
- 8 = U+
- 9 = "A" port, directional output (max. load 30 mA)
- 10 = "B" port, directional output (max. load 30 mA)
- 11 = US+ (Safety output)
- 12 = U S+ (Safety in)
- 13 = on-off output (max. load 30 mA)
- 14 = "B" port, directional output (max. load 30 mA)
- 15 = "A" port, directional output (max. load 30 mA)
- 16 = (free)
- 17 = (free)
- 18 = (free)
- 19 = (free)
- 20 = (free)
- 21 = (free)
- 22 = (free)
- 23 = (free)
- 24 = (free)
- 25 = (free)
- 26 = on-off output (max. load 30 mA)
- 27 = on-off output (max. load 30 mA)
- 28 = on-off output (max. load 30 mA)
- 29 = (free)
- 30 = (free)

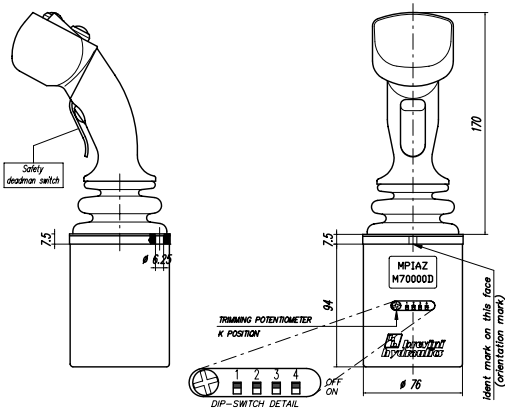
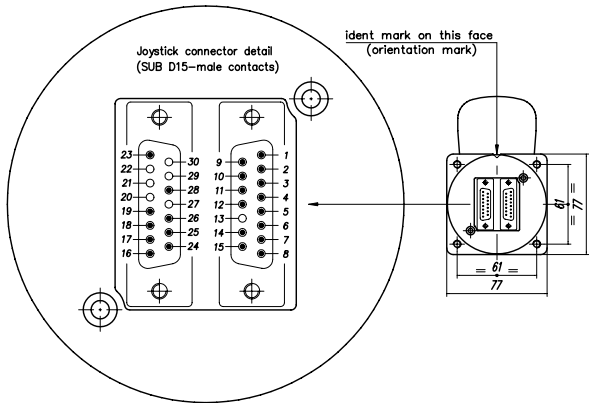


Electrical system

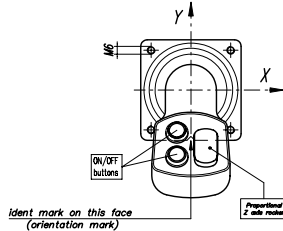


Dimensions and electrical details

JMPIAZM7002LD (12V)
JMPIAZM7022LD (24V)

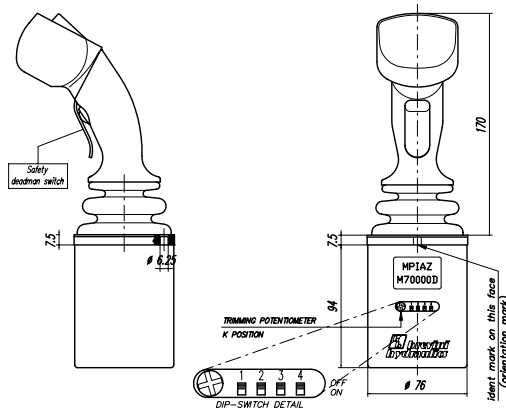
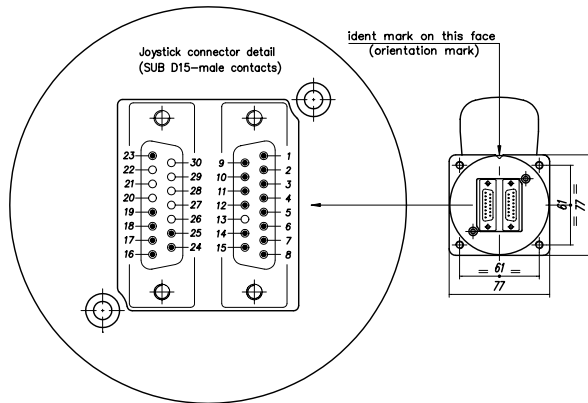


- 2 ON/OFF push buttons in hand grip side
- Z axis in left position
- deadman push button

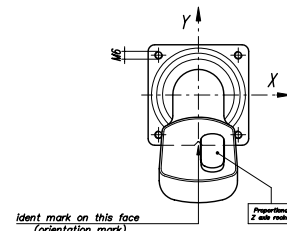


- | | |
|---|---|
| 1 = U- | 16 = U- |
| 2 = A / B common X axis | 17 = A / B common Z axis |
| 3 = A output control, X axis | 18 = A output control, Z axis |
| 4 = B output control, X axis | 19 = B output control, Z axis |
| 5 = B output control, Y axis | 20 = (free) |
| 6 = A output control, Y axis | 21 = (free) |
| 7 = A / B common Y axis | 22 = (free) |
| 8 = U+ | 23 = U+ |
| 9 = "A" port, directional output (max. load 30 mA) | 24 = "A" port, directional output (max. load 30 mA) |
| 10 = "B" port, directional output (max. load 30 mA) | 25 = "B" port, directional output (max. load 30 mA) |
| 11 = Safety switch on | 26 = switch on |
| 12 = Common safety switch | 27 = (free) |
| 13 = (free) | 28 = switch on |
| 14 = "B" port, directional output (max. load 30 mA) | 29 = (free) |
| 15 = "A" port, directional output (max. load 30 mA) | 30 = (free) |

JMPIAZM7000LD (12V)
JMPIAZM7020LD (24V)

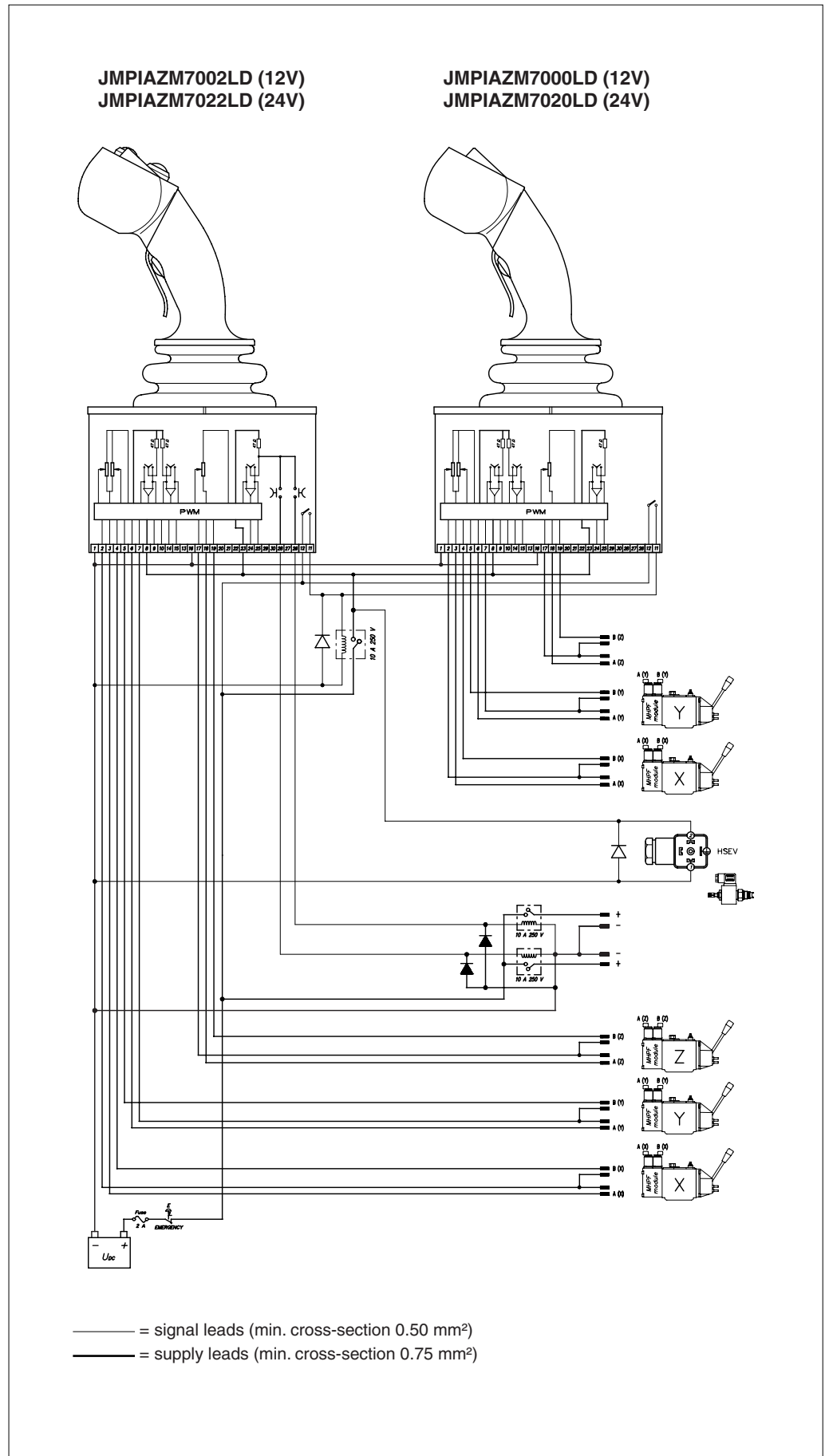


- NO push buttons in hand grip side
- Z axis in left position
- deadman push button



- | | |
|---|---|
| 1 = U- | 15 = "A" port, directional output (max. load 30 mA) |
| 2 = A / B common X axis | 16 = U- |
| 3 = A output control, X axis | 17 = A / B common Z axis |
| 4 = B output control, X axis | 18 = A output control, Z axis |
| 5 = B output control, Y axis | 19 = B output control, Z axis |
| 6 = A output control, Y axis | 20 = (free) |
| 7 = A / B common Y axis | 21 = (free) |
| 8 = U+ | 22 = (free) |
| 9 = "A" port, directional output (max. load 30 mA) | 23 = U+ |
| 10 = "B" port, directional output (max. load 30 mA) | 24 = "A" port, directional output (max. load 30 mA) |
| 11 = Safety deadman switch on | 25 = "B" port, directional output (max. load 30 mA) |
| 12 = Common safety deadman switch | 26 = (free) |
| 13 = (free) | 27 = (free) |
| 14 = "B" port, directional output (max. load 30 mA) | 28 = (free) |
| | 29 = (free) |
| | 30 = (free) |

Electrical system



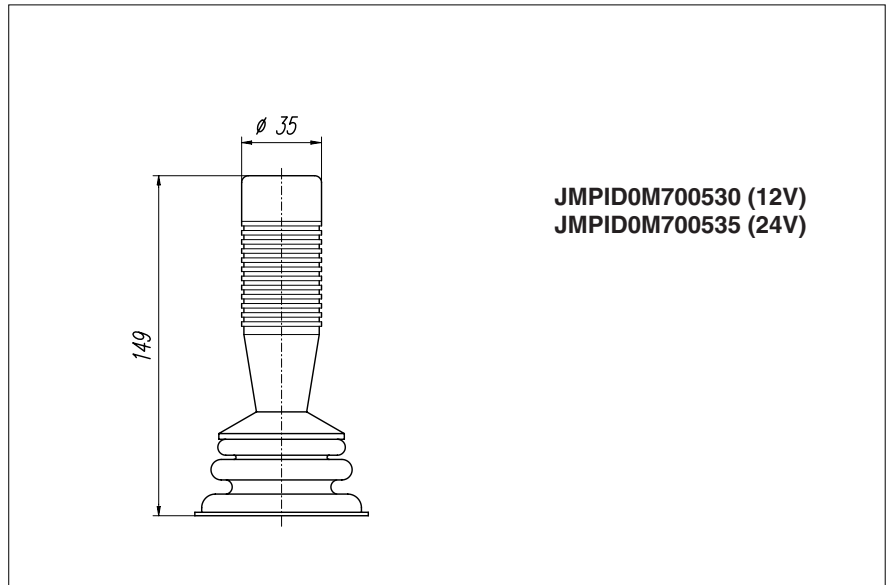
JMPID joystick is a strong and compact device, whose ergonomic shape is handily organised.

The person present system switch and many other remote control functions can be implemented and operated conveniently. It is developed to meet mobile machinery market requirements, where it is increasingly important to handle the power transmission supply with integrated remote control.

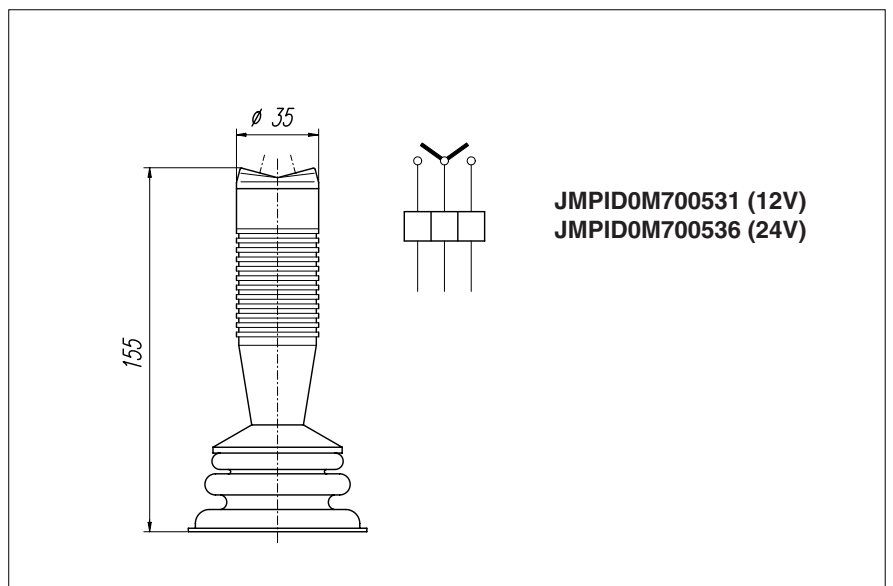
JMPID is simple to fit and replace and is made up of a standard module with two proportional axes and a hand grip that can house several combinations of other ON/OFF outputs.

This joystick allows all the electronic features of ramp generator function, electronic flow adjustment, and dead band compensation (only for proportional axes).

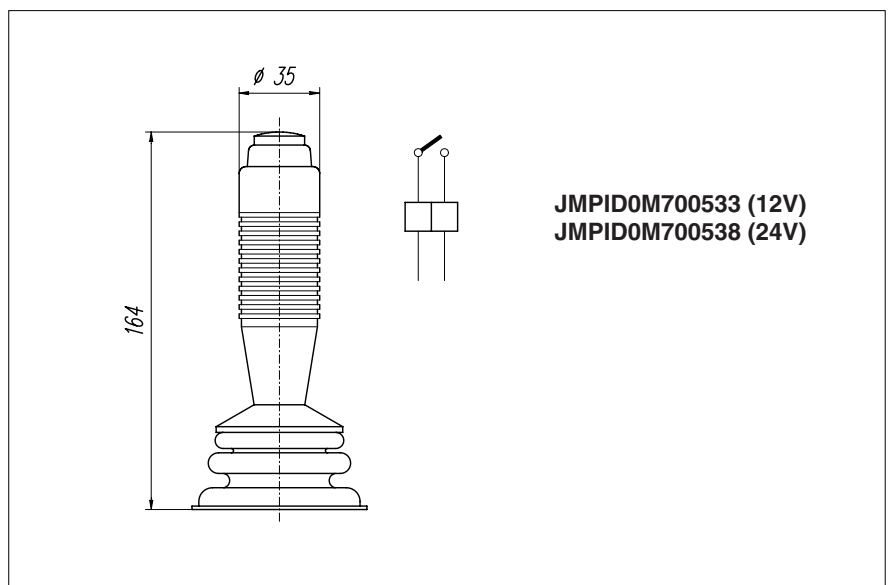
K handle
(no switch)



H handle
(rocker switch)



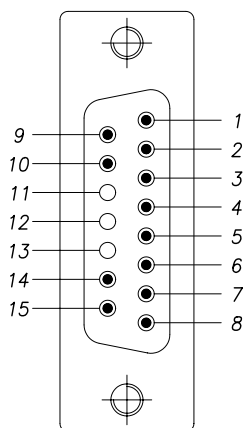
L handle
(deadman switch)



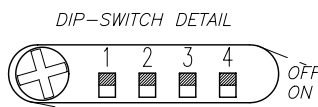
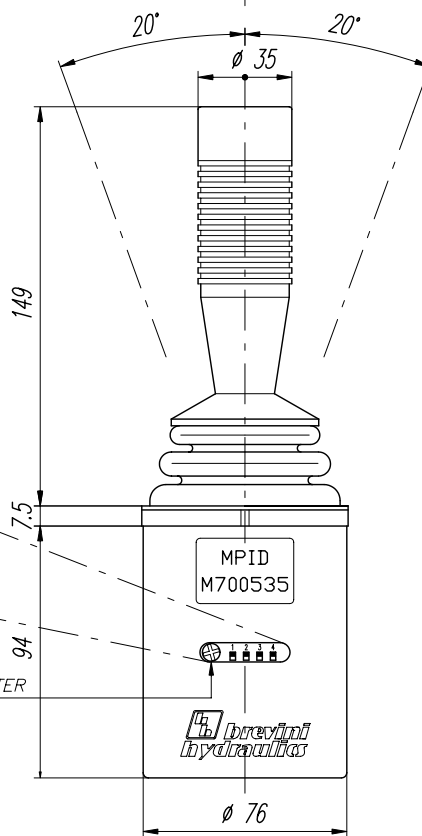
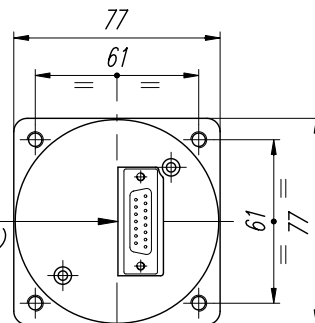
Dimensions and electrical details

“K” Handle (no switch)
JMPID0M700530 (12V)
JMPID0M700535 (24V)

- 1 = U-
- 2 = A / B common X axis
- 3 = A output control, X axis
- 4 = B output control, X axis
- 5 = B output control, Y axis
- 6 = A output control, Y axis
- 7 = A / B common Y axis
- 8 = U+
- 9 = “A” port, directional output (max. load 30 mA), X axis
- 10 = “B” port, directional output (max. load 30 mA), X axis
- 11 = (free)
- 12 = (free)
- 13 = (free)
- 14 = “B” port, directional output (max. load 30 mA), Y axis
- 15 = “A” port, directional output (max. load 30 mA), Y axis

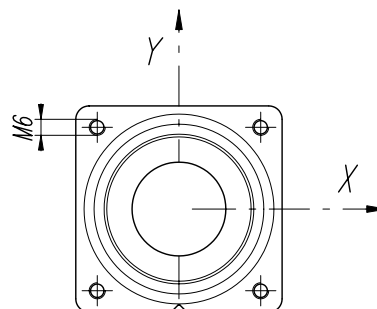
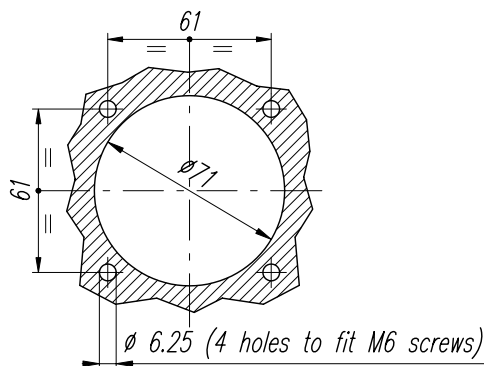


Joystick connector detail
 (SUB D15–male contacts)



TRIMMING POTENTIOMETER
 K POSITION

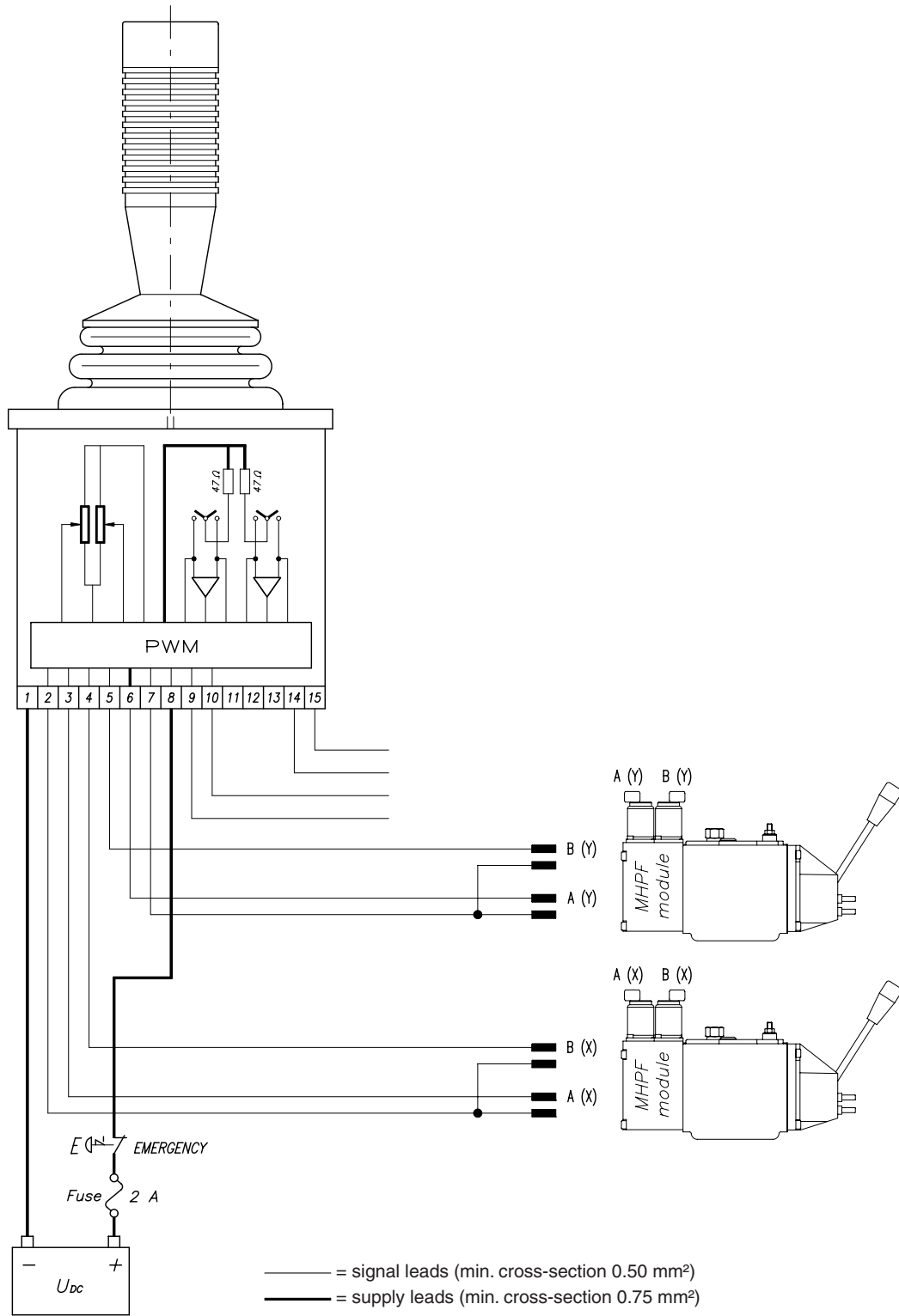
PANEL MOUNTING DETAILS



ident mark on this face
 (orientation mark)

Electrical system

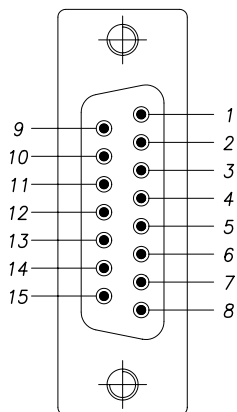
“K” Handle (no switch)
 JMPID0M700530 (12V)
 JMPID0M700535 (24V)



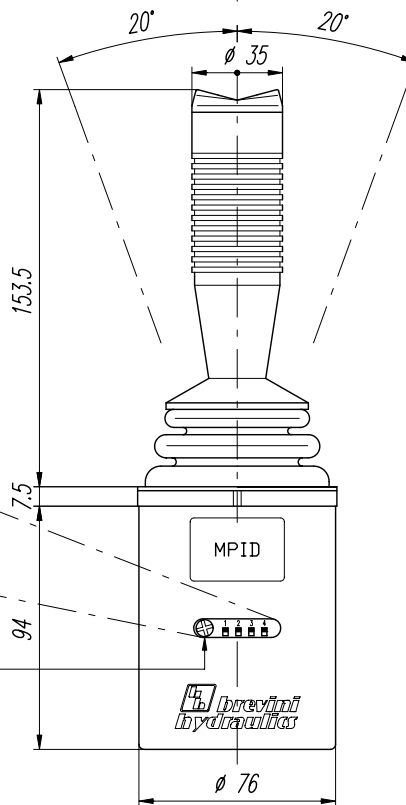
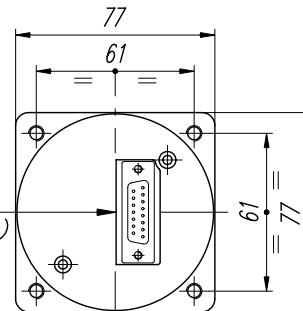
Dimensions and electrical details

“H” Handle (rocker switch)
 JMPID0M700531 (12V)
 JMPID0M700536 (24V)

- 1 = U-
- 2 = A / B common X axis
- 3 = A output control, X axis
- 4 = B output control, X axis
- 5 = B output control, Y axis
- 6 = A output control, Y axis
- 7 = A / B common Y axis
- 8 = U+
- 9 = “A” port, directional output (max. load 30 mA), X axis
- 10 = “B” port, directional output (max. load 30 mA), X axis
- 11 = Switch on (max. load = 30 mA)
- 12 = Common terminal switch on/off/on
- 13 = Switch on (max. load = 30 mA)
- 14 = “B” port, directional output (max. load 30 mA), Y axis
- 15 = “A” port, directional output (max. load 30 mA), Y axis

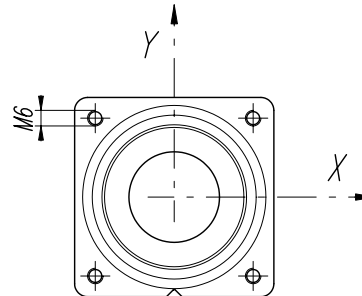
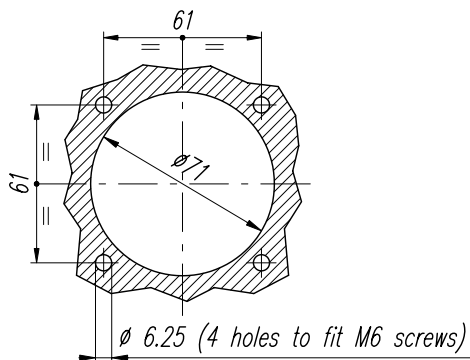


Joystick connector detail
 (SUB D15--male contacts)



TRIMMING POTENTIOMETER
 K POSITION

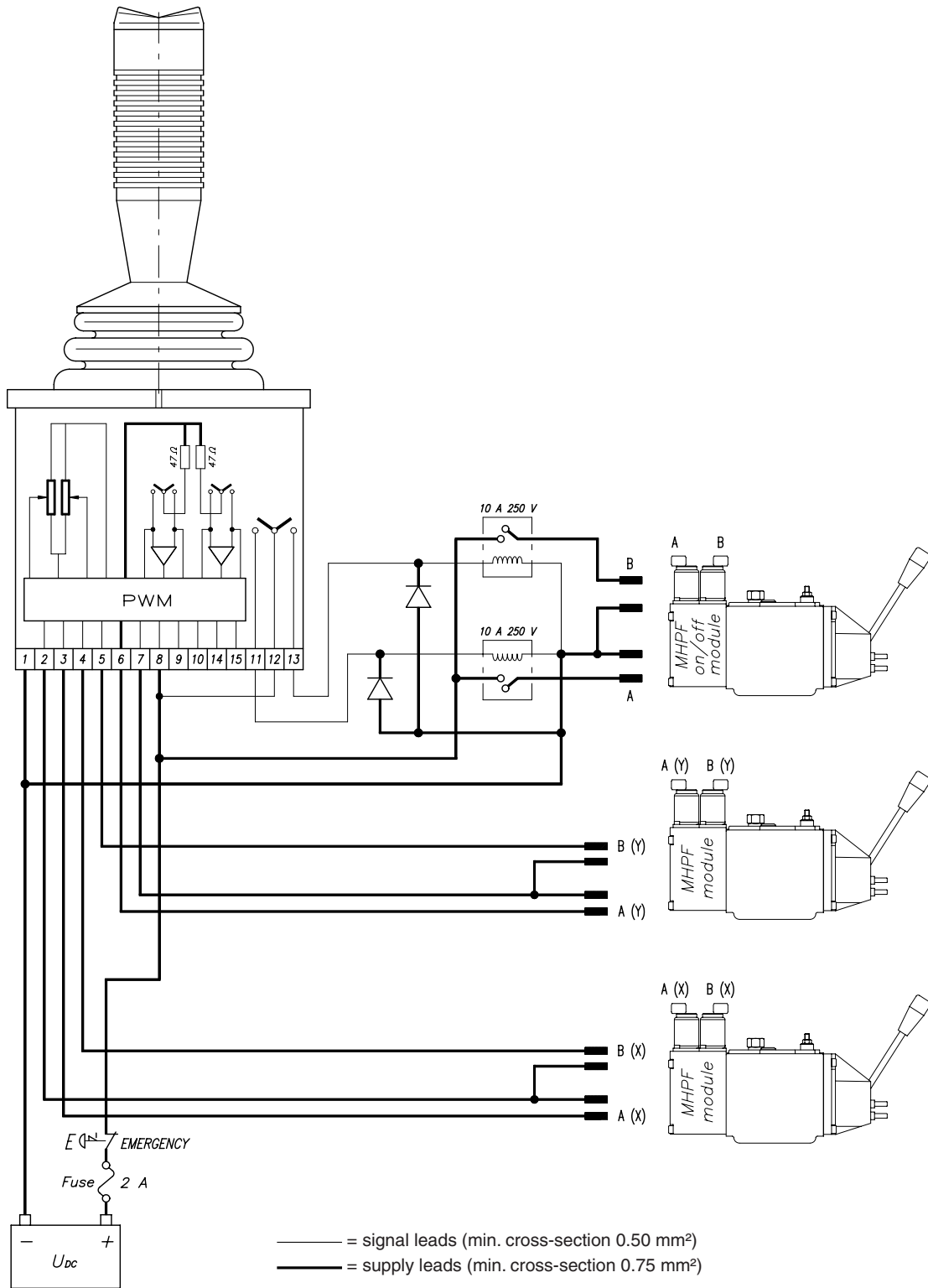
PANEL MOUNTING DETAILS



ident mark on this face
 (orientation mark)

Electrical system

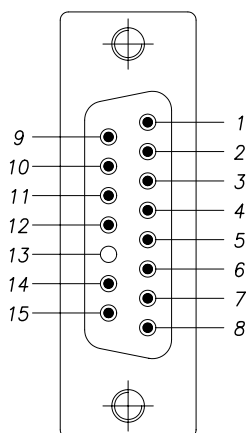
“H” Handle (rocker switch)
 JMPID0M700531 (12V)
 JMPID0M700536 (24V)



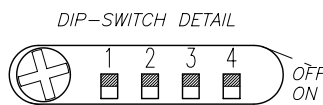
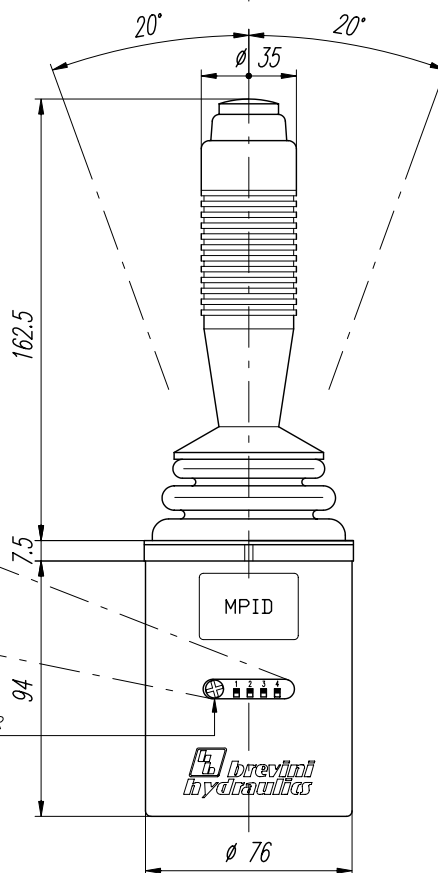
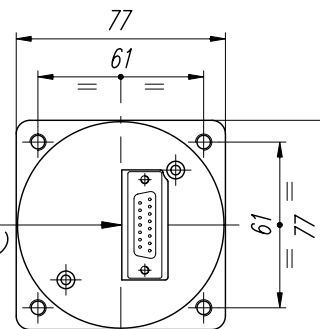
Dimensions and electrical details

“L” Handle (deadman switch)
JMPID0M700533 (12V)
JMPID0M700538 (24V)

- 1 = U-
- 2 = A / B common X axis
- 3 = A output control, X axis
- 4 = B output control, X axis
- 5 = B output control, Y axis
- 6 = A output control, Y axis
- 7 = A / B common Y axis
- 8 = U+
- 9 = “A” port, directional output (max. load 30 mA), X axis
- 10 = “B” port, directional output (max. load 30 mA), X axis
- 11 = Switch on (max. load = 30 mA)
- 12 = Common terminal switch on/off
- 13 = (free)
- 14 = “B” port, directional output (max. load 30 mA), Y axis
- 15 = “A” port, directional output (max. load 30 mA), Y axis

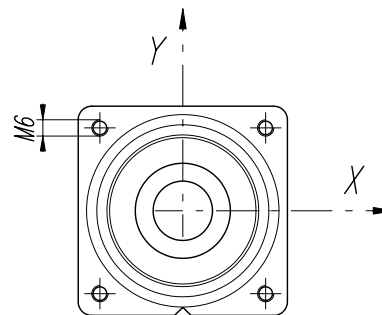
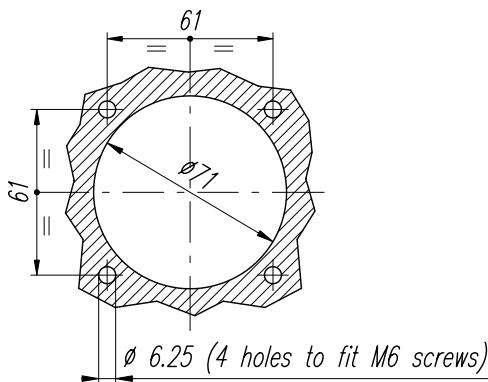


Joystick connector detail
 (SUB D15–male contacts)



TRIMMING POTENTIOMETER
 K POSITION

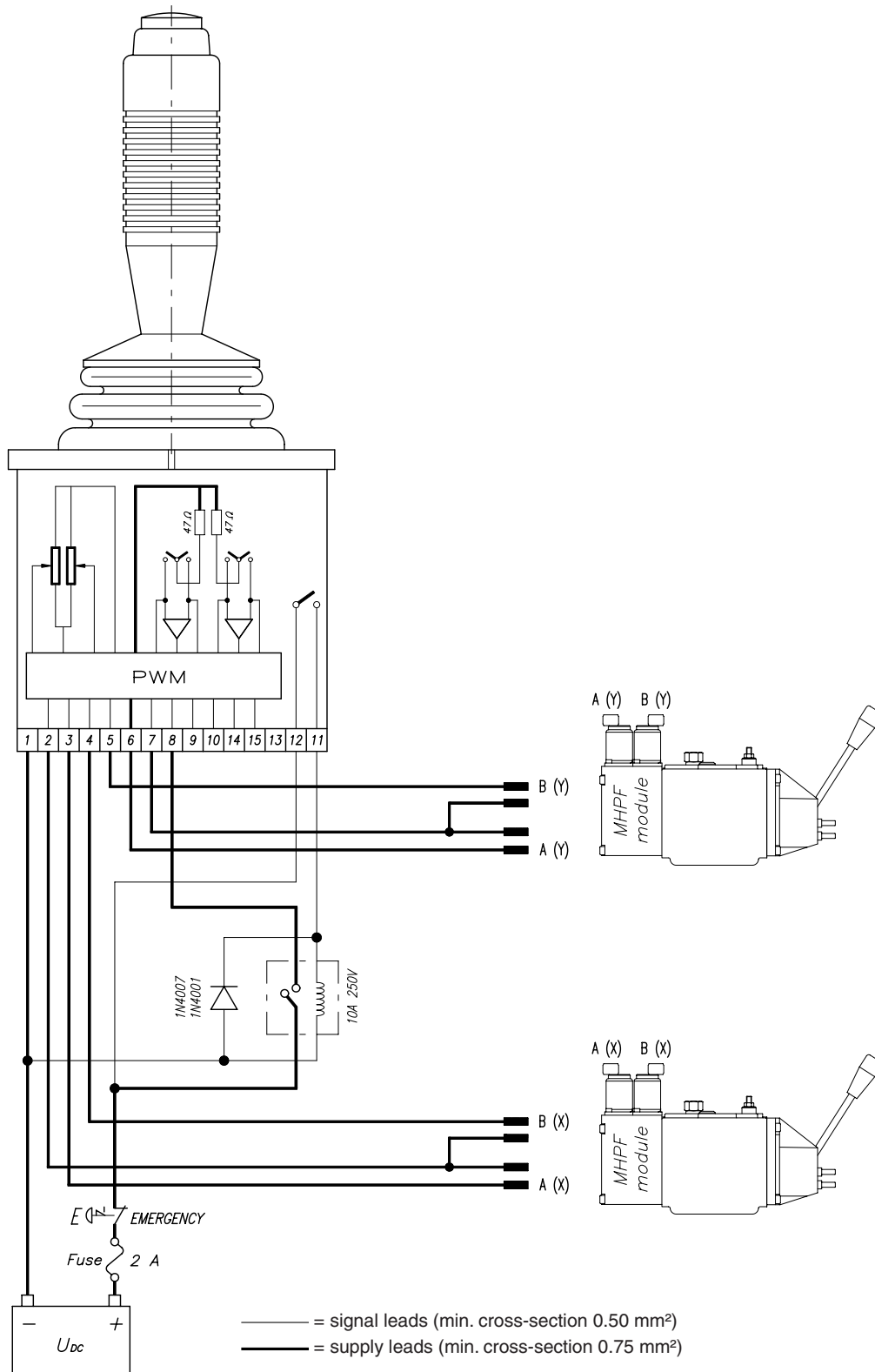
PANEL MOUNTING DETAILS



ident mark on this face
 (orientation mark)

Electrical system

“L” Handle (person present system switch)
 JMPID0M700533 (12V)
 JMPID0M700538 (24V)





Factory:

Via Natta, 1

42100 Reggio Emilia - Italy

Tel. +39 0522 5058

Fax +39 0522 505856

www.aron.it



Via Natta, 1

42100 Reggio Emilia - Italy

Tel. +39 0522 748700

Fax +39 0522 748750

www.brevinifluidpower.com

sales.ind@brevinifluidpower.com



ISO 9001:2000 - Cert. n° 0134
