

STEERING COLUMNS TYPE KK...



The M+S Hydraulic KK Steering Columns transfer the torque from the steering wheel of the vehicle to the HKU, HKUS or other steering units of the same class. The KK steering columns consist of a pipe in which the control shaft is centred.

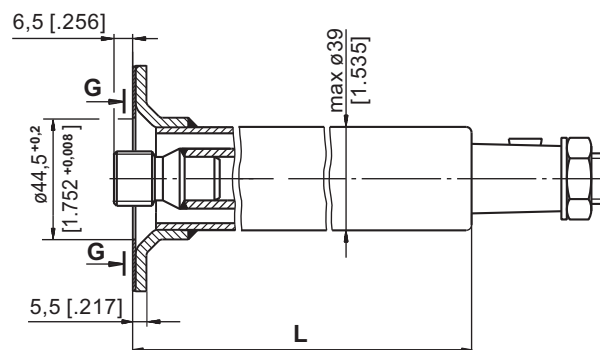
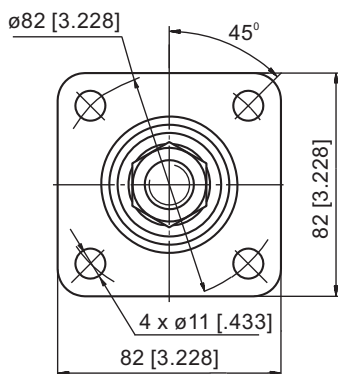
Permissible loads of the steering column are as follows:

Max. torque applied to the steering wheel 24 daNm [2124 lb-in]
 Max. bending moment 20 daNm [1770 lb-in]
 Max. axial load 100 daN [225 lbs]

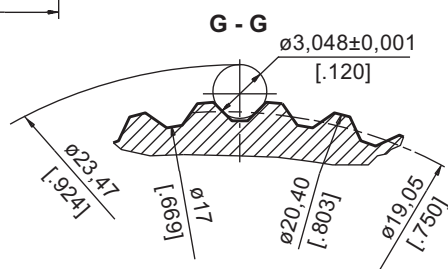
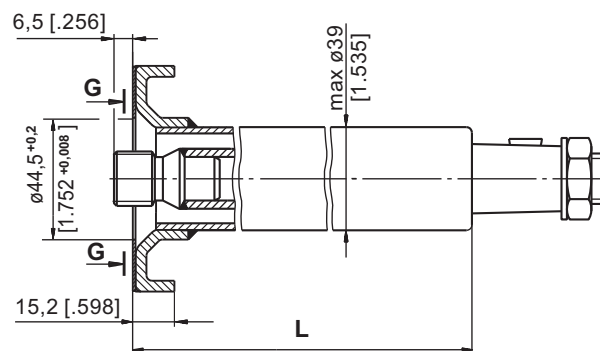
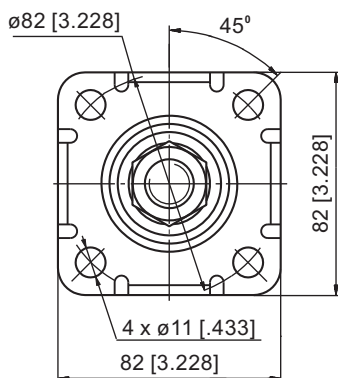
The steering column must be additionally supported when the length L exceeds 150 mm [5.91 in].

DIMENSIONS AND MOUNTING DATA

Type KK



Type KKF



SPECIFICATION DATA

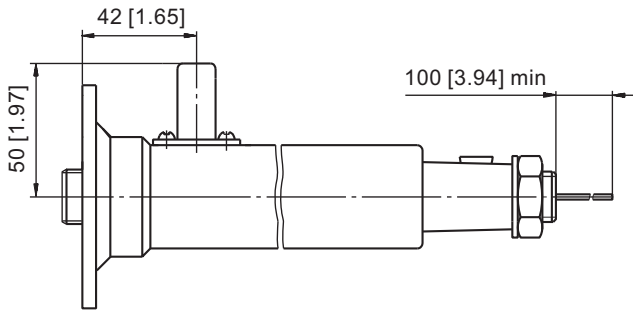
Involute Spline Data		
Modul	m	1.5875
Number of Teeth	z	12
Pressure Angle	α	30°
Diametral Pitch	DP	16/32

Parameters		Type				
		KK 75	KK 150	KK 390	KK 441	KK 750
L	mm	78	168,2	393	441	777,8
	[in]	[3.07]	[6.62]	[15.47]	[17.36]	[30.62]
Weight	kg	0,75	1,1	1,9	5,05	3,3
	[lb]	[1.65]	[2.43]	[4.19]	[11.13]	[7.28]

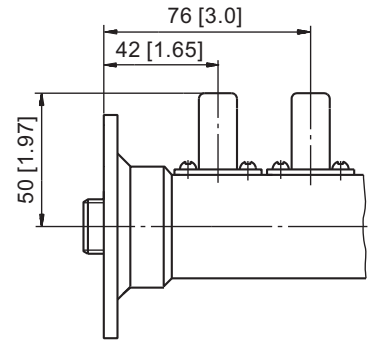
Note: The length L depends on the transport vehicle construction. For more information regarding other lengths and shaft versions, please refer to M+S Hydraulic.

SOUND SIGNAL CONNECTION

E Option



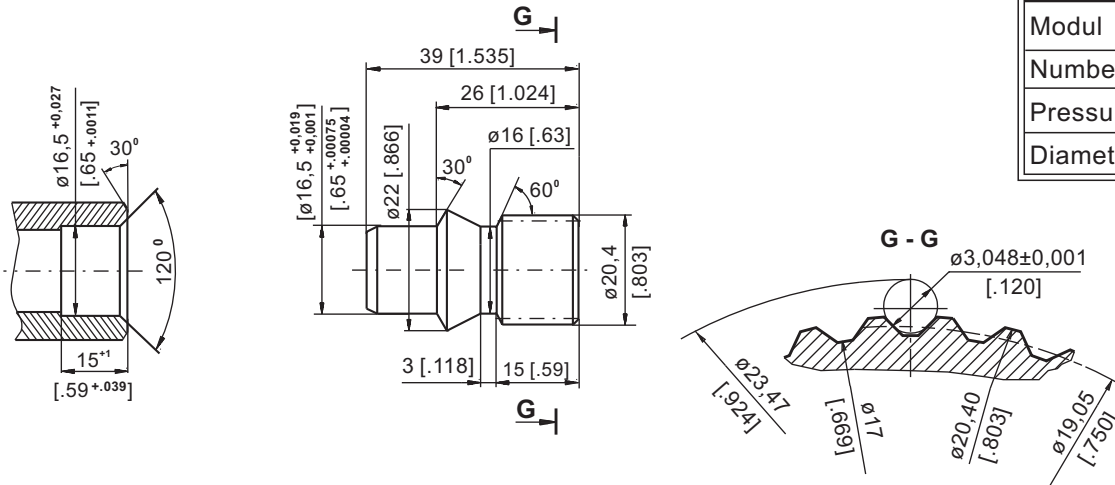
EE Option



Shaft End Part

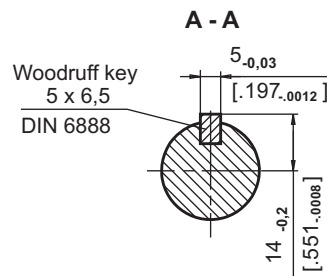
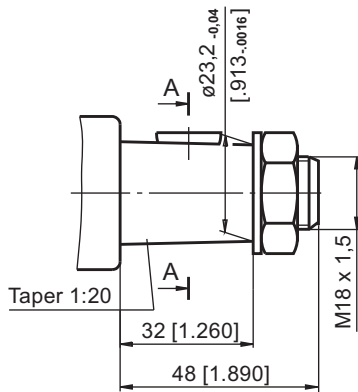
Order No: 46415 001 00

Involute Spline Data		
Modul	m	1.5875
Number of Teeth	z	12
Pressure Angle	α	30°
Diametral Pitch	DP	16/32

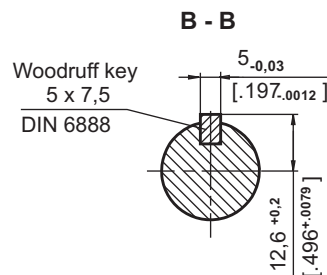
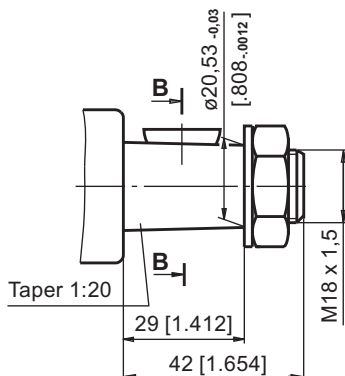


SHAFT VERSIONS

TYPE I

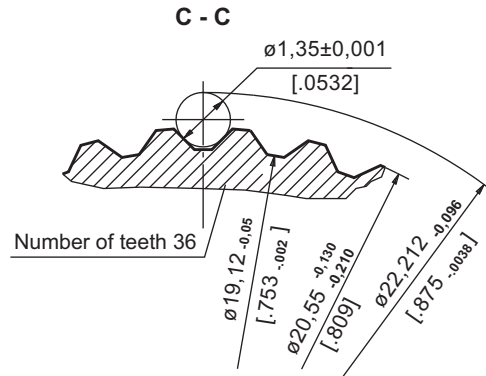
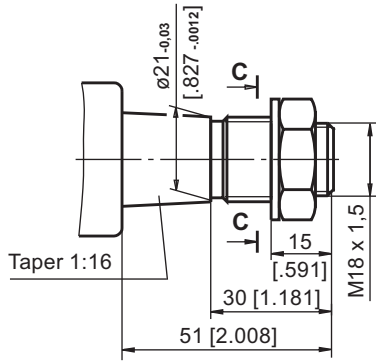


TYPE II

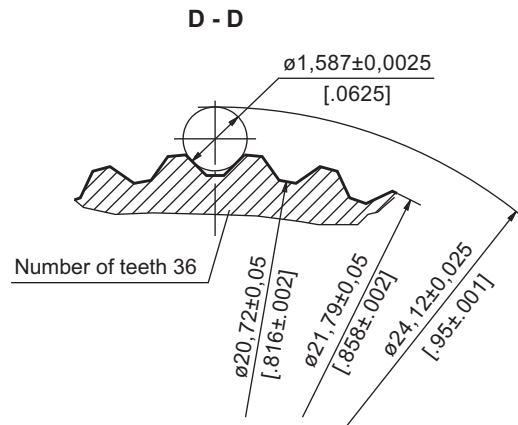
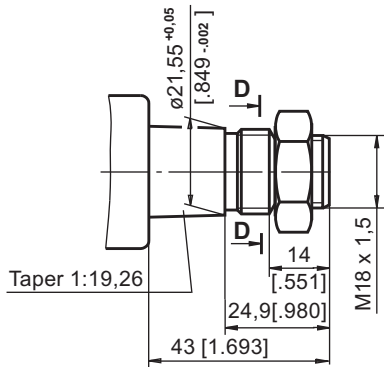


SHAFT EXTENSIONS

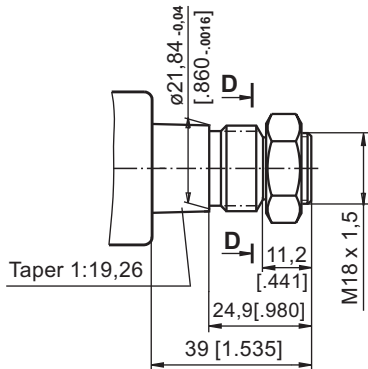
TYPE III



TYPE IV

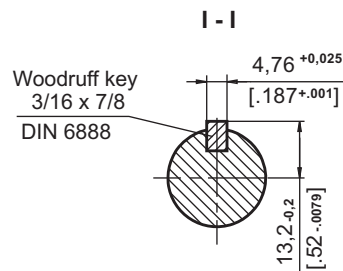
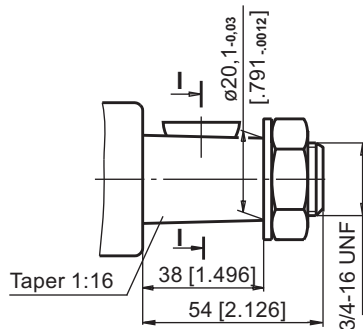


TYPE V

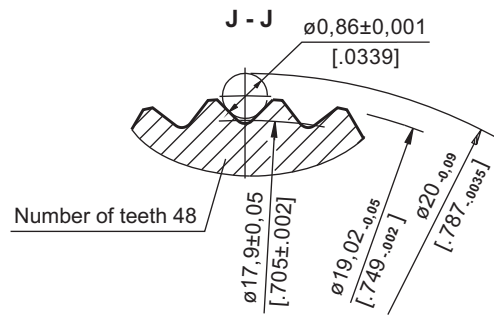
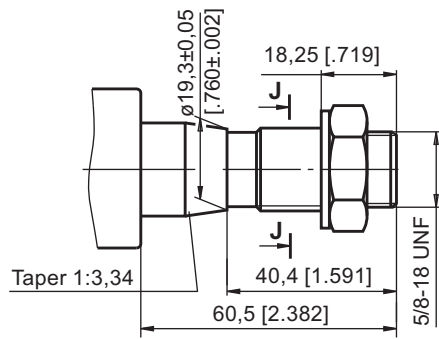


mm [in]

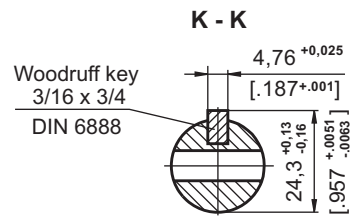
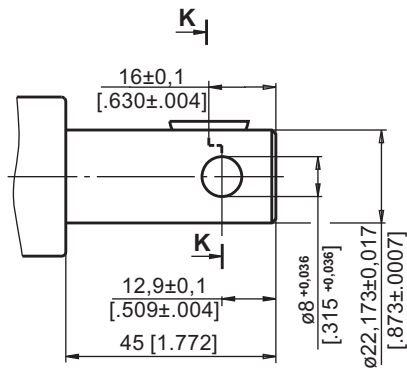
TYPE VI



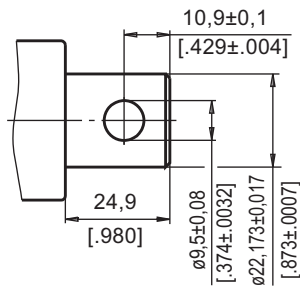
TYPE VII



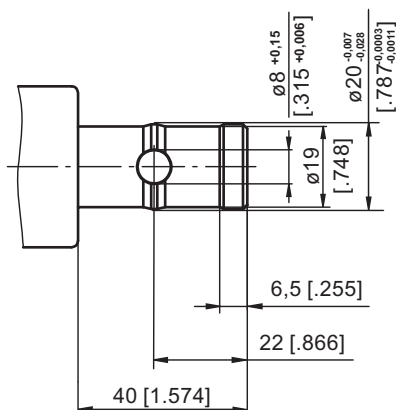
TYPE VIII



TYPE IX



TYPE XIII



ORDER CODE KK

	1	2	3	4	5	6
KK						

Pos.1 - Mounting Flange

omit - Flange without Tabs

F - Flange with Tabs

Pos.2 - Length, mm (acc. to table)

Pos.3 - Shaft Extensions

I, II, III, IV, V, VI, VII, VIII, IX, XIII

Pos.4 - Signal Connection (Option)

omit - without electric signal connection

E - with one electric signal connection

EE* - with two electric signal connection

Pos.5 - Option (Paint)**

omit - No Paint

P - Painted

PC - Corrosion Protected Paint

Pos.6 - Design Series

omit - Factory specified

Notes: * For steering column's length L>150 mm [5.9 in] only.

** Colour at customer's request.

The steering columns are yellow galvanized as standard.

ORDER CODE KKM

	1	2	3	4
KKM				

Pos.1 - Length, mm [in] (acc. to table)

Pos.2 - Shaft Extensions

S1, S2, S3

Pos.3 - Option (Paint)*

omit - No Paint

P - Painted

PC - Corrosion Protected Paint

Pos.4 - Design Series

omit - Factory specified

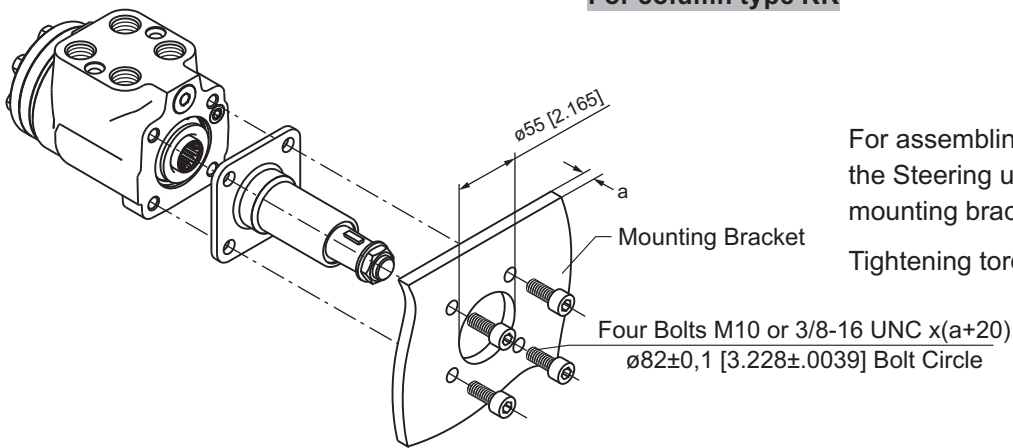
Notes: * Colour at customer's request.

The steering columns are yellow galvanized as standard.

The main technical features correspond to the standard steering columns type KK.

INSTALLING

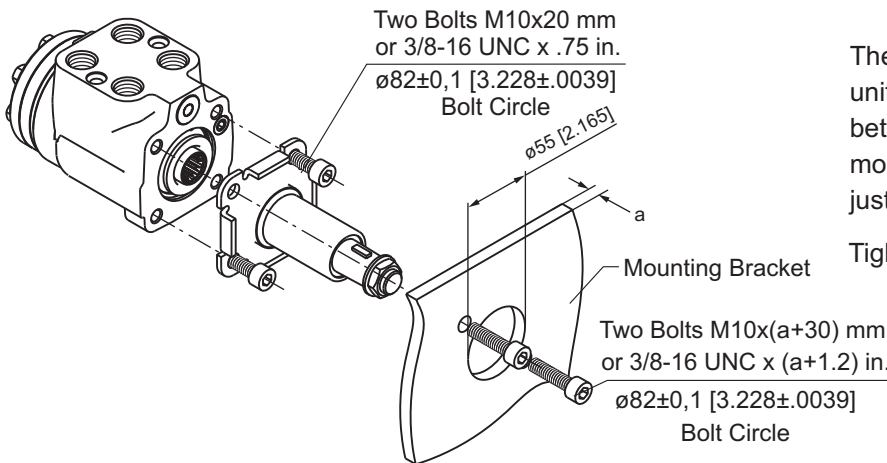
For column type KK



For assembling the Steering column to the Steering units use four bolts through mounting bracket.

Tightening torque for bolts 3 daNm [266 lb-in]

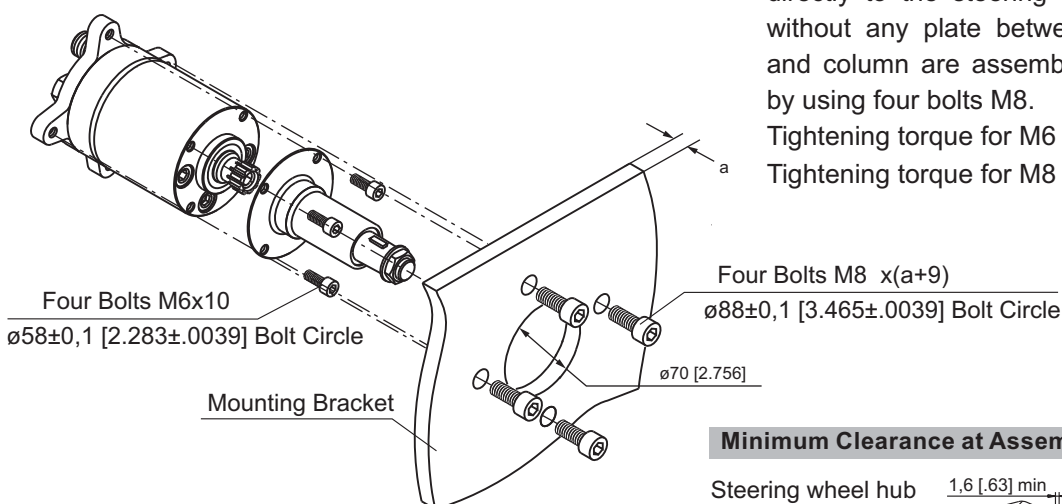
For column type KKF



The steering column type KKF and the steering unit must be assembled with nothing standing between them. Use two bolts through mounting bracket and two bolts through just the steering column.

Tightening torque for bolts 3 daNm [266 lb-in]

For column type KKM

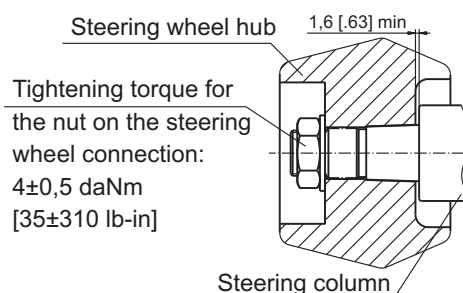


The steering column type KKM must be assembled directly to the steering unit by using four bolts M6 without any plate between them. The steering unit and column are assembled to the mounting bracket by using four bolts M8.

Tightening torque for M6 bolts 1,5 daNm [133 lb-in]

Tightening torque for M8 bolts 2,0 daNm [177 lb-in]

Minimum Clearance at Assembly



GENERAL APPLICATION AND SPECIFICATION INFORMATION

APPLICATION

(SIZING AND STEERING SYSTEM DESIGN PROCESS)

STEP ONE:

Calculate approximate kingpin torque (M_L).

$$M_L = G \cdot \mu \sqrt{\frac{B^2}{8} + \ell^2}$$

Note: Double M_L if steered wheels are powered.

M_L = Kingpin torque in daNm [lb-in].

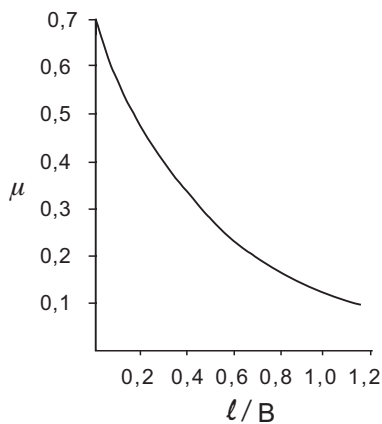
G = Vehicle weight on steered axle daN [lbs] (use maximum estimated overload weight).

μ = Coefficient of friction (use Chart № 1, dimensionless) determined by ℓ/B (see Diagram № 1).

B = Nominal width of tyre print, m [in] (see Diagram № 1).

ℓ = Kingpin offset. The distance between tyre centerline intersection at ground and kingpins centerline intersection at ground in, m [in] (see Diagram № 1).

Chart № 1



Rubber tyres on dry concrete.

Diagram № 1

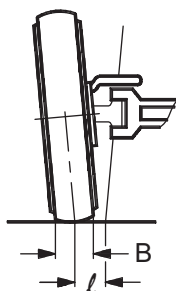
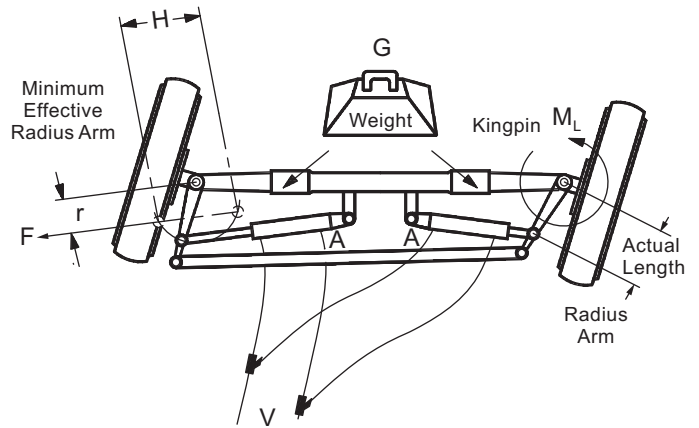


Diagram № 2



STEP TWO:

Calculate approximate cylinder; force-area-stroke-volume.

FORCE
$$F = \frac{M_L}{r}$$

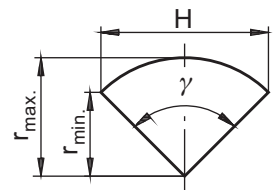
F = Force required daN [lbs] to steer axle.

M_L = Kingpin torque in daNm [lb-in] from step one. Double M_L if steered wheels are powered.

r = Effective radius Arm mm [in] is the minimum distance from the centerline of the cylinders minimum and maximum stroke points parallel to the kingpin center pivot. This is not the physical length of the radius Arm (see Diagram № 2 and Chart № 2).

Chart № 2

$$r_{\min.} = r_{\max.} \cdot \cos \frac{\gamma}{2}$$



STROKE

H = Stroke, cm [in].

Calculate stroke of cylinder using Diagram № 2 and Chart № 2 as shaft.

$$H = 2 r_{\max.} \cdot \sin \frac{\gamma}{2}$$

AREA

$$A = \frac{F}{\Delta P}$$

A = Cylinder area for axle cylinder set, cm^2 [in²].

F = Force required from step two force formula, daN [lbs].

ΔP = Hydraulic pressure bar [PSI] use following percentage of relief valve setting by amount of load on steered axle. Severe load 25% - medium load 55% - no load 75%.

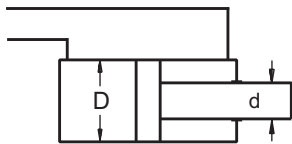
DIAMETER

After the cylinder set area is determined, the cylinder diameter can be calculated.

D = Inside diameter of cylinder, cm [in].
d = Road diameter of cylinder, cm [in].

Choose type of cylinder arrangement and formula shown for that type.

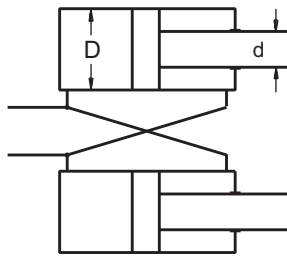
Differential Cylinder



$$D = \sqrt{\frac{4A}{\pi} + d^2}$$

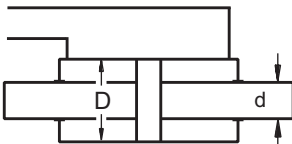
Note: $\left(\frac{d}{D}\right)^2 \leq 0,15$

Cross Connected Cylinders



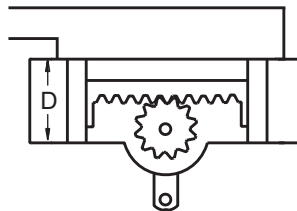
$$D = \sqrt{\frac{2A}{\pi} + \frac{d^2}{2}}$$

Balanced Cylinder



$$D = \sqrt{\frac{4A}{\pi} + d^2}$$

Opposed Cylinder



$$D = \sqrt{\frac{4A}{\pi}}$$

VOLUME $V = H \cdot A$

V = Volume. The total amount of oil required to move the cylinder rod(s) through the entire stroke, cm³ [in³].

H = Stroke, cm [in].

A = Area, cm² [in²].

Note: For differential cylinders it is important to calculate average cylinder volume for step three using below formula.

$$V_{avg.} = H \cdot \frac{\pi}{4} (2 \cdot D^2 - d^2)$$

STEP THREE:

Selecting displacement of hydrostatic steering unit.

At this point determine number of steering wheel revolutions desired for your application to steer the wheels from one side to the other (lock to lock). Depending on the type of vehicle and its use, this will vary from 3 to 5 turns.

DISPLACEMENT $V_D = \frac{V}{n}$

V_D = Displacement, cm³/rev [in³/rev].

V = Volume of oil, cm³ [in³].

n = Steering wheel turns lock to lock.

After completing the above displacement calculation, choose the closest standard hydrostatic steering unit in displacement size that incorporates circuitry you require.

Recalculate the number of steering wheel turns using the displacement of selected standard hydrostatic steering unit outlined above. Use the formula shown below.

$$n = \frac{V}{V_D}$$

V = Volume of oil, cm³ [in³].

n = Steering wheel turns lock to lock.

Note: For differential cylinders applications the cylinder volume will be different for left and right turns - this means the value n (steering wheel turns lock to lock) will vary when turning to the left or right.

STEP FOUR:

Calculate approximate minimum and maximum steering circuit flow requirements.

$$Q = \frac{V_D \cdot N}{\text{Unit Conversion for Imperial or [1000] Metric}}$$

Q = Steering circuit flow, lpm [GPM].

V_D = Unit displacement, cm³/rev [in³/rev]

N = Steering wheel input speed, RPM.

Recommended steering speed is 50 to 100 RPM.

Many variables are involved in sizing the pump. We suggest that the manufacturer should test and evaluate for the desired performance.

GENERAL INFORMATION

FLUID DATA:

To insure maximum performance and life of the Hydrostatic steering units, use premium quality hydraulic oils. Fluids with effective quantities of anti-wear agents or additives are highly recommended. If using synthetic fluids consult the factory for alternative seal materials.

• **Viscosity**

Viscosity at normal operating temperature should be approx. 20 mm²/s [100 SUS]. Viscosity range 10 - 300 mm²/s [60 - 1500 SUS].

• **Temperature**

Normal operating temperature range from +30°C [+85°F] to +60°C [140°F].

Minimum operating temperature -40°C [-40°F].

Maximum operating temperature +80°C [+176°F].

Note: Extended periods of operation at temperature of 60°C and above will greatly reduce the life of the oil due to oxidation and will shorten the life of the product.

Filtration

The maximum degree of contamination per ISO 4406 or CETOP RP is:

- 20/17 open center units
- 19/16 closed center and load sensing
- 16/12 priority valves

Return line filtration of 25 μm nominal (40 - 50 μm absolute) or finer is recommended.

In extremely dusty conditions filtration of 10 μm absolute should be used.

START UP

All air must be purged from system before operating unit. It is extremely important that any external lines or units with load sensing or priority feature be completely bled. Lines going to and from cylinders as well as lines to and from pump be purged of all air. It is recommended that a 10-15 μm filter be used between pump and steering unit before start up.

MOUNTING UNITS

All hydrostatic steering units should be installed for ease of access. It is recommended that the steering unit be located outside the vehicle cabin.

It is important that no radial axial load be applied to the hydrostatic steering unit input shaft. Some or all radial and axial loads must be absorbed by the steering column or other operating devices supplied by the vehicle manufacturer.

Ports on the steering cylinder(s) should face upward to prevent damage.

During installation of the hydrostatic steering unit, cleanliness is of the utmost importance. Pipe plugs should be left in place during mounting and only removed when hydraulic lines are to be connected.

CONVERSIONS

to convert inches and millimeters:

- 1 in = 25,4 mm
- 1 mm = .03973 in

to convert gallons per minute and liters per minute:

- 1 GPM = 3,785 lpm
- 1 lpm = .2642 GPM

to convert pounds per square inch and bar:

- 1 PSI = 0,0689 bar
- 1 bar = 14.51 PSI

to convert pounds-inch and newton-meters:

- 1 lb-in = 0,113 Nm
- 1 Nm = 8.85 lb-in

TORQUE TIGHTENING VALUES

Fluid connections

Fluid connection	Max. tightening torque daNm [lb-in]			
	metal edge	copper washer	aluminum washer	O - ring
G 1/4	4,0 [350]	3,5 [309]	3,5 [309]	
G 3/8	7,0 [620]	4,5 [398]	5,0 [442]	
G 1/2	10,0 [885]	5,5 [486]	8,0 [708]	
G 3/4	18,0 [1593]	9,0 [796]	13,0 [1150]	
M 10 x 1	4,0 [350]	2,0 [180]	3,0 [265]	
M 18 x 1,5	8,0 [708]	5,5 [486]	7,0 [620]	
M 22 x 1,5	10,0 [885]	6,5 [575]	8,0 [708]	
7/16 - 20 UNF				2,0 [180]
9/16 - 18 UNF				5,0 [442]
3/4 - 16 UNF				6,0 [531]
7/8 - 14 UNF				9,0 [796]
1 1/16 - 12 UN				12,0 [1062]

Mounting bolts

Mounting bolts	Tightening torque daNm [lb - in]
3/8 - 16 UNC	3,0 ± 0,5 [230 ÷ 310]
M 10 x 1	6,5 ± 0,5 [540 ÷ 620]
M 10	3,0 ± 0,5 [230 ÷ 310]