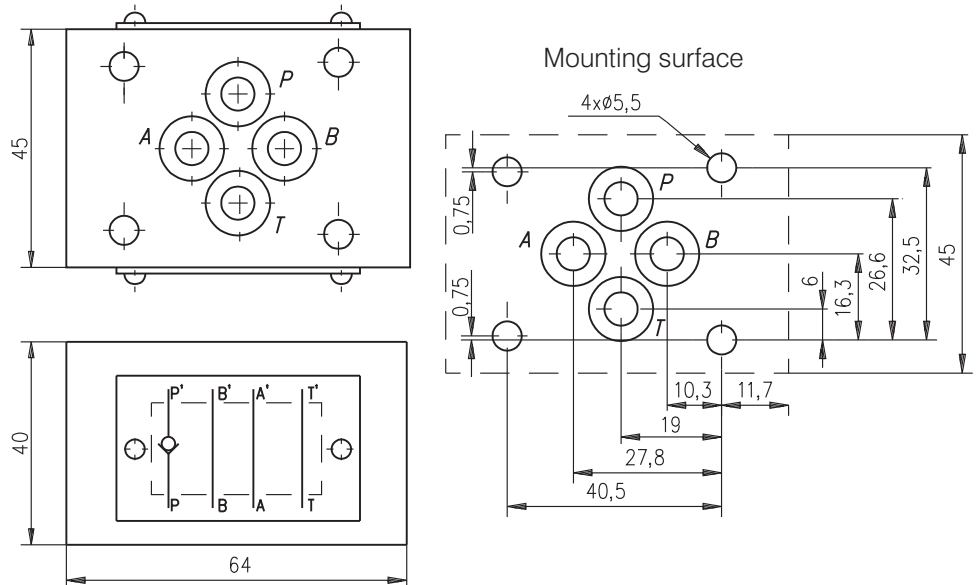


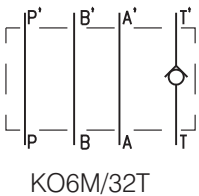
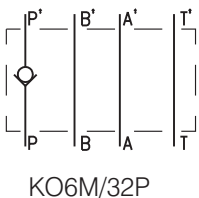
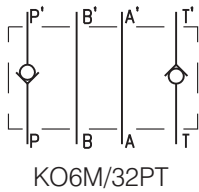
DESCRIPTION

- ✓ Check valves for modular mounting-KO6M/32...
- ✓ Check valves give leak free closure in one direction and allow free passing in the other.
- ✓ Mounting surface CETOP3 (NG6)

DIMENSIONS



SYMBOL



ORDERING CODE

KO 6 M / 32 ***

Check valve

Nominal bore 6mm.

Modular mounting

Rated pressure: up to 320 bar.-32

Function

- at line P to P' - P
- at line T' to T - T
- at line P to P' & T' to T - PT

TECHNICAL DATA

Weight	0,800 kg
Max. Pressure	320 bar
Rated flow ($\Delta p=5$ bar.)	30 l/min
Cracking pressure	0,5 bar
Working liquid-hydraulic oils with characteristics:	
-viscosity	10...400 cSt
-degree of filtration	0,025 mm
-temperature	-20...+80°C