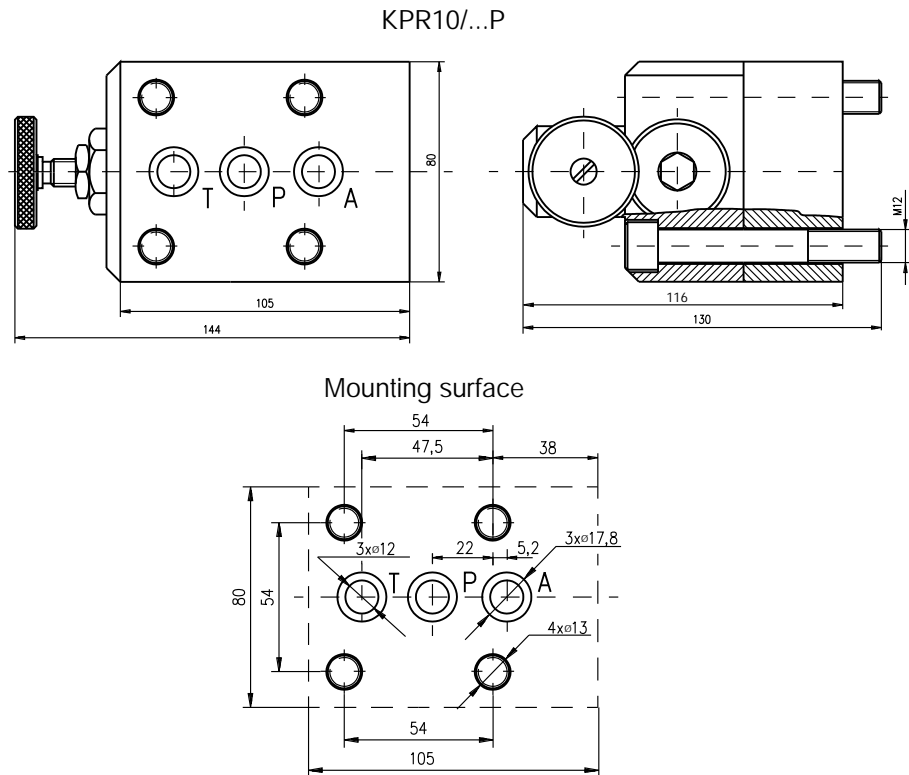
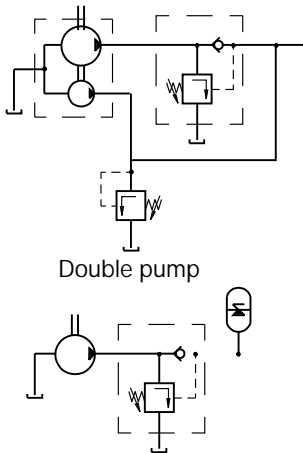


**DESCRIPTION**

- ✓ Unloading relief valves for plate mounting-KPR-10/...P
- ✓ Unloading relief valves are designed to switch on or switch off automatically the pump in the hydraulic system, depending on the pressure range at the pressure line (at the point after the check valve).

**DIMENSIONS**

**APPLICATIONS**


Double pump

Single pump / accumulator system

**ORDERING CODE**

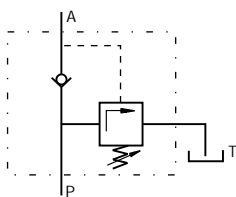
KPR	-	10	/	...	P
-----	---	----	---	-----	---

Unloading relief valve

Nominal bore 10mm.

 Rated pressure:                      up to 63 bar.-6,3  
    up to 160 bar.-16

Valve position - at line P

**SYMBOL**

**TECHNICAL DATA**

Weight		5,440 kg
Max. unloading pressure	KPR-10/6,3P	63 bar
	KPR-10/16P	160 bar
Rated flow (Dp=2,5 bar.)		40 l/min
Working liquid-hydraulic oils with characteristics:		
-viscosity		10...400 cSt
-degree of filtration		0,025 mm
-temperature		-20... +80°C