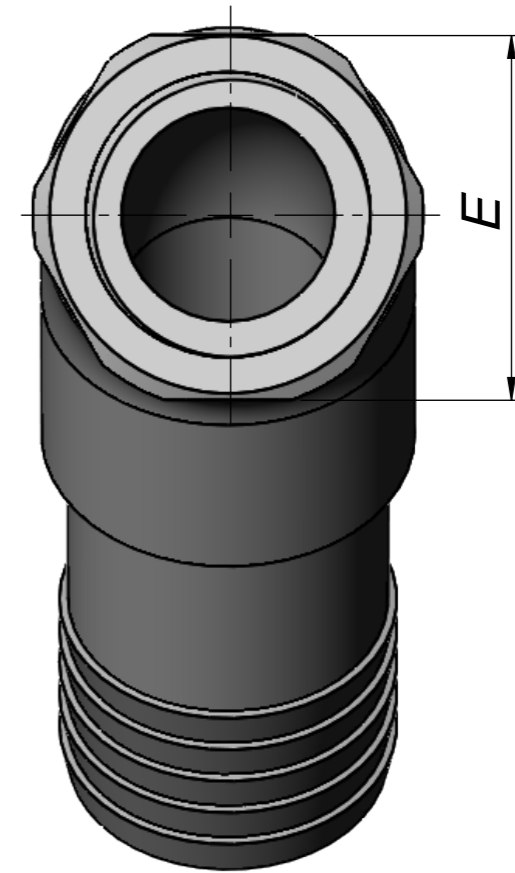
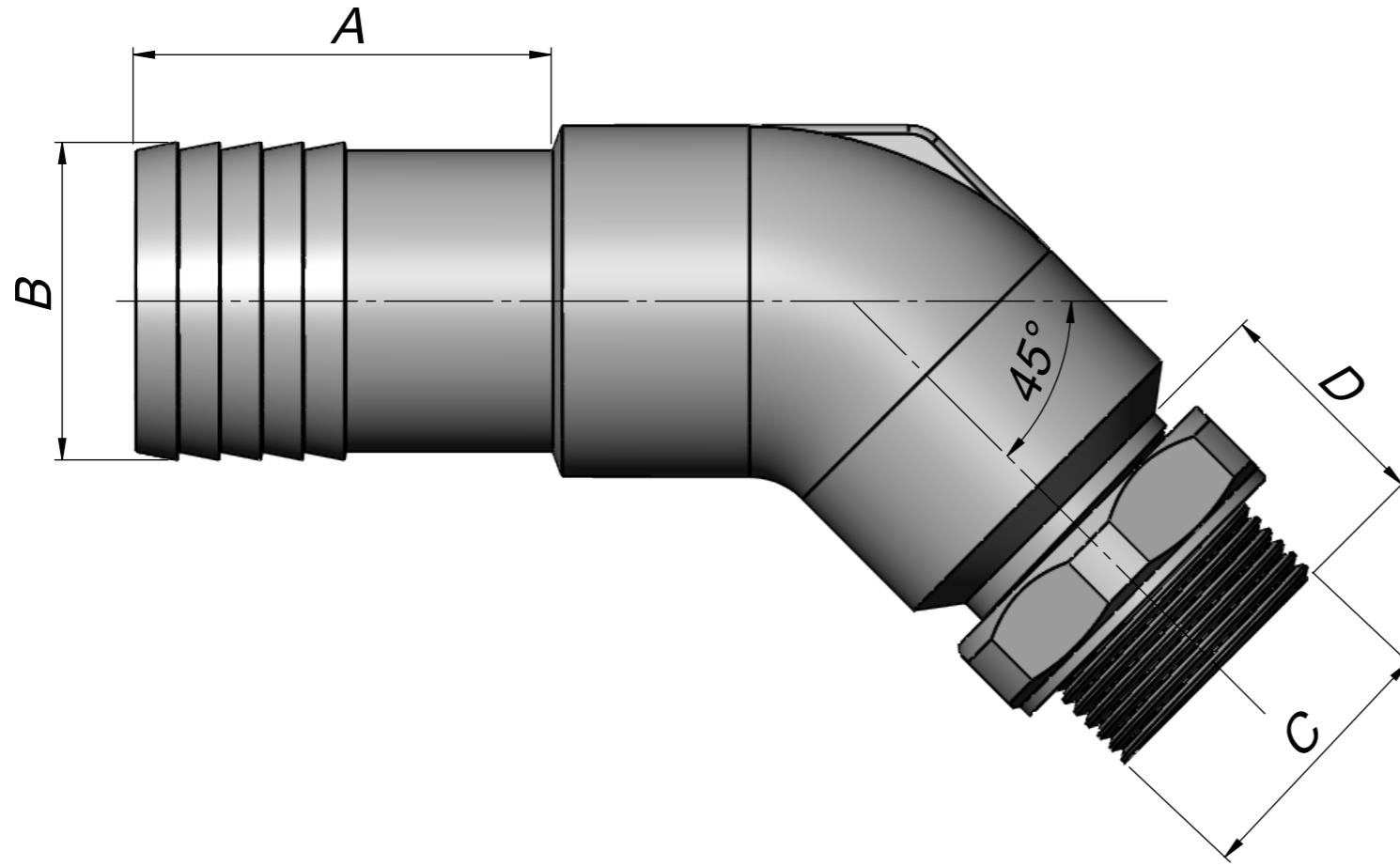


REV	REV DATE	DESCRIPTION



	A	B	C	D	E		NAME-SURNAME	DATE	SIGNATURE
HOSE PILLAR 45° G1"x38	51	38	G1"-11	27	41	DRAWER	A.AKGÖZ	08.06.2020	
HOSE PILLAR 45° G1 1/4"x38	51	38	G1 1/4"-11	27	50	CONTROL	M.KAZEL	08.06.2020	
HOSE PILLAR 45° G1 1/4"x51	51	51	G1 1/4"-11	32	50	APPROVAL	M.KAZEL	08.06.2020	
HOSE PILLAR 45° G1 1/2"x51	53	51	G1 1/2"-11	32	55	SCALE	2:1.7 PRODUCT NAME:RAKOR		

