

## Technical data

### Visual Oil Level Indicators

#### Visual oil level indicator - round shape

LCC is a range of plastic compact fluid level indicators, usually called spy eyes, for monitoring of the fluid level into the tank. They are directly fitted on the tank side.

The special shape of the screen allows the monitoring of the fluid level from every position.

#### Available features:

- Male threaded connections up to G 2"
- Expansion kit, for reliable sealing even in tanks with thin walls

#### Common applications:

- Hydraulic systems
- Mobile machines
- Industrial equipment

### N Series

#### Weight

LCCG26	7 g
LCCG42	20 g
LCCG60	40 g

#### Materials

- Body: Polyamide
- Lens: Polyamide
- Contrast screen: Polyamide
- Seals: Inorganic fibre, NBR
- Expansion kit: Brass / NBR

### T Series

#### Weight

LCCG16	2 g
LCCG20	4 g
LCCG33	9 g

#### Materials

- Body: Polyamide
- Seals: NBR

#### Temperature

From -20 °C to + 80 °C

#### Quantity

25 pcs/pack



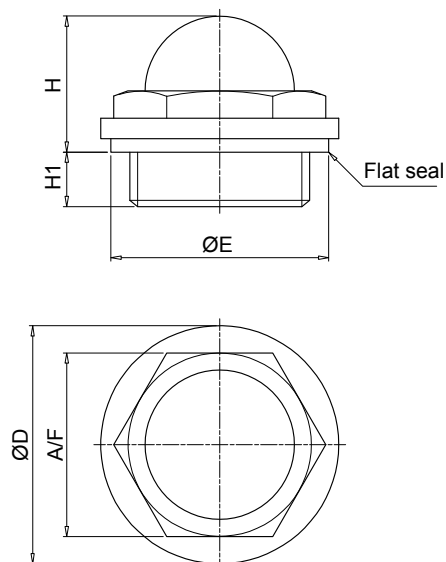
## Designation & Ordering code

### COMPLETE VISUAL OIL LEVEL INDICATORS

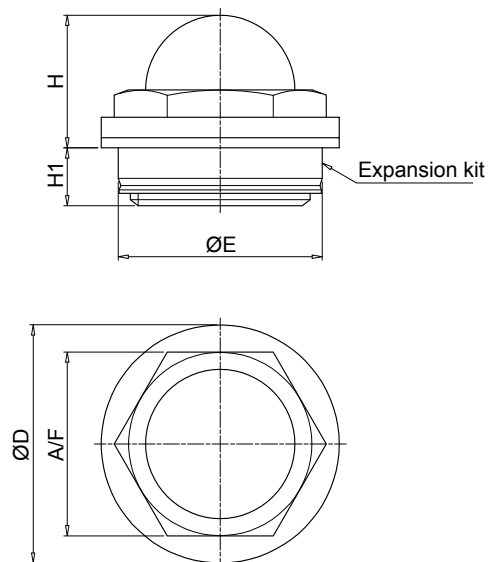
Series	Configuration example 1 :							
<b>LCC</b>	LCC	G20	N	A	K	P01		
	Configuration example 2 :							
	LCC	G33	T	A		P01		
Connections	Material:	N	T					
<b>G13</b> G 1/4"								
<b>G16</b> G 3/8"			•					
<b>G20</b> G 1/2"		•	•					
<b>G26</b> G 3/4"		•	•					
<b>G33</b> G 1"		•	•					
<b>G42</b> G 1 1/4"		•						
<b>G48</b> G 1 1/2"		•						
<b>G60</b> G 2"		•						
Material								
<b>N</b> Black polyamide		<b>T</b> Transparent polyamide						
Seals	Material:	N			T			
<b>A</b> NBR	Expansion kit:	S	K		•			
<b>B</b> Inorganic fiber		•						
Expansion kit	Material:	N					T	
<b>S</b> Without expansion kit	Connection:	G20	G26	G33	G42	G48	G60	
<b>K</b> With expansion kit		•	•	•	•	•	•	
		•	•	•	•	•		
Execution								
<b>P01</b>	MP Filtri standard							
<b>Pxx</b>	Customized							

### LCC - N

without expansion kit



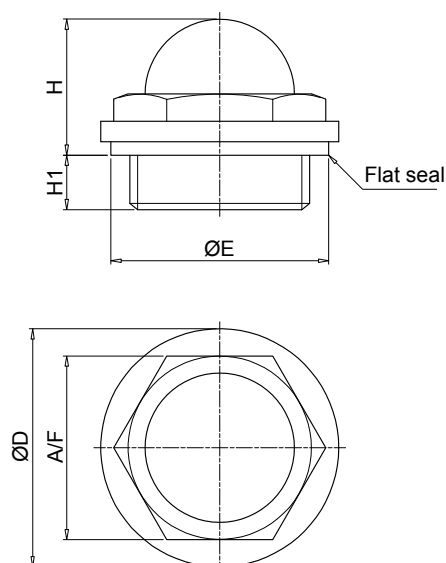
with expansion kit



Connections	ØD [mm]	ØE [mm]	A/F [mm]	H [mm]	H1 [mm]
<b>G20</b>	28	26	22	17.5	17.5
<b>G26</b>	35	32	27	20	8
<b>G33</b>	42	41	34	24	10
<b>G42</b>	52	51	44	30	11
<b>G48</b>	58	53.5	50	33	11.5
<b>G60</b>	74	72	64	39	18

Connections	ØD [mm]	ØE [mm]	A/F [mm]	H [mm]	H1 [mm]
<b>G20</b>	28	26	22	16.5	8.5
<b>G26</b>	35	30	27	19.5	8.5
<b>G33</b>	42	40	34	23.5	10.5
<b>G42</b>	52	50	44	29.5	11.5
<b>G48</b>	58	55	50	32.5	12

### LCC - T



Connections	ØD [mm]	ØE [mm]	A/F [mm]	H [mm]	H1 [mm]
<b>G13</b>	19	18.5	15	12.5	5
<b>G16</b>	21.5	21.5	17	14	5.5
<b>G20</b>	27	26	21	16.5	6
<b>G26</b>	33	32	26	19	7
<b>G33</b>	40	41	32	22.5	8