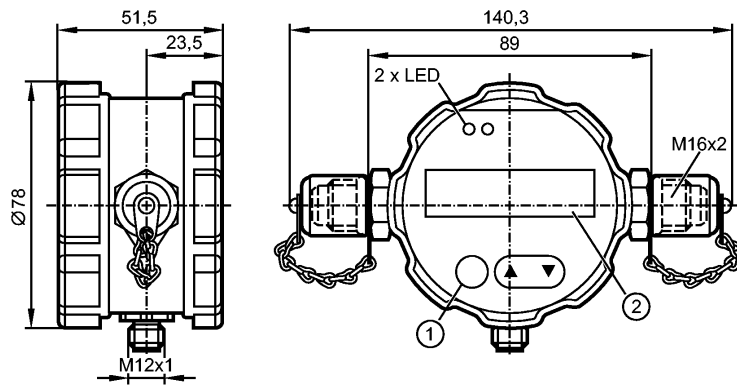


LDP100

OIL PARTICLE MONITOR

Diagnostic systems



1: Programming buttons
2: display



Product characteristics

Photoelectric particle monitor

Quick disconnect

Process connection: Minimes M16 x 2

Measuring principle: light extinction principle

Cleanliness level to ISO 4406:99 / SAE AS4059E 1)

Größenkanäle [µm]: 4, 6, 14, 21

CAN interface

Out 1: analogue (4...20 mA); Out 2: switching output (open collector output)

Application

Application Mineral oils (e.g. HLP), ester oils (e.g. HEES), biodegradable oils (e.g. HETG)

Medium temperature oil [°C] -10...80

Electrical data

Electrical design DC

Operating voltage [V] 9...33 DC

Current consumption [mA] < 180 (9 V DC) / < 50 (33 V DC)

Protection class III

Inputs

Trigger In: external, low level activates measuring cycle

Outputs

Output Out 1: analogue (4...20 mA); Out 2: switching output (open collector output)

Output function 4...20 mA (can be configured); digital alarm output

Current rating [mA] 500

Short-circuit proof no

Overload protection no

Analog output 4...20 mA

Max. load [Ω] (U_b - 4 V) / 20 mA; 1000 at U_b = 24 V

Measuring / setting range

Measuring range 10...22 Range number

Display range 0...24 Range number

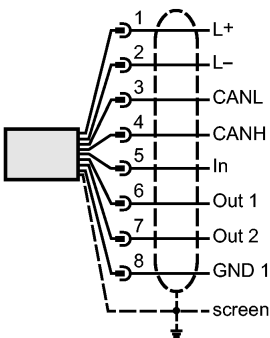
Accuracy / deviations

Accuracy ± 1 range number 2)

LDP100

OIL PARTICLE MONITOR

Diagnostic systems

Software / programming	
Storage capacity	3000 data sets
Programming options	via buttons, PC or digital I/O
Environment	
Operating pressure [MPa]	0...42 dynamic / 0...60 static
Flow rate [ml/min]	50...400
Ambient temperature [°C]	-10...60
Storage temperature [°C]	-20...60
Protection	IP 67
Tests / approvals	
Pressure equipment directive	article 3, section 3 - sound engineering practice
MTTF [Years]	129
Mechanical data	
Process connection	Minimess M16 x 2
Materials (wetted parts)	stainless steel (1.4028); sapphire; NBR; chromium
Weight [kg]	0.85
Displays / operating elements	
Display	LC display displayed value conforms to the cleanliness level to ISO 4406:99 and SAE AS4059E
Electrical connection	
Connection	M12 connector
<p>Wiring</p>  <p>CANL/CANH: CAN bus In: Switching input (low level activates measuring cycle) Out 1: Analog output Out 2: Switching output GND 1: Signal ground Out 1 L-/screen: screen (connected to the housing)</p>	
Remarks	
Remarks	1) SAE AS4059E: No separate evaluation of the size classes 38 µm and 70 µm. 2) In the calibrated range (range numbers 10...22).
Pack quantity [piece]	1