

Technical data

Electrical oil level indicators

LEN is a range of electrical fluid level indicators for monitoring of the fluid level into the tank.

They are directly fitted on the tank.

The float moves through the rod while the fluid level changes.

A magnet, fitted into the float, turns a reed sensor fixed into the rod.

Available features:

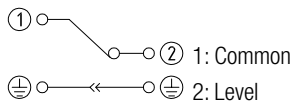
- G 1" male threaded or flanged connections
- Adjustable size on request, to meet every size of tank
- 1 or 2 floats, to monitor the minimum level, the maximum level or both of them.

Common applications:

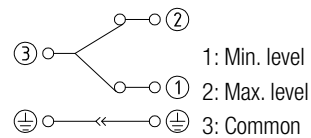
- Hydraulic systems
- Mobile machines
- Industrial equipment

Electrical symbol:

LEN 1 Float



LEN 2 Floats



Note: to invert the contact status from NC to NO and vice versa, simply invert the float.

Materials

- Flange/Threaded body: Aluminium
- Tube: Brass, AISI 304 (on request)
- Float: Nylon foam, AISI 316 (on request)
- O-Ring: NBR
- Circlip: Phosphor bronze
- Contact: N.C. reed, N.O. (on request)

Electrical data

- Protection rating: IP65
- Max switching capacity: 80 W
- Max switching current: 1 A
- Max switching voltage: 250 Vac
- Fluid specific gravity: > 0.75

Temperature

From -15 °C to + 80 °C

Weight

- LEN 1 float 0.185 kg
- LEN 2 floats 0.230 kg

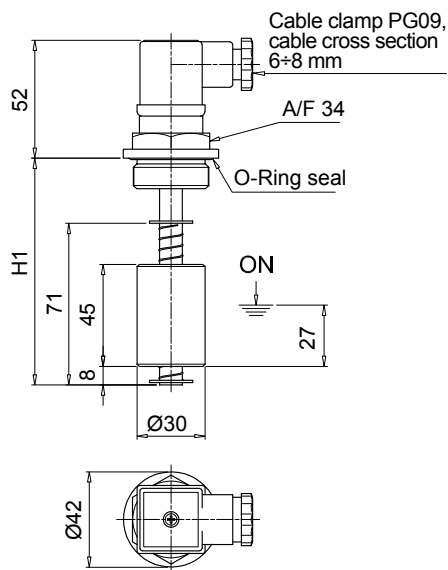


Designation & Ordering code

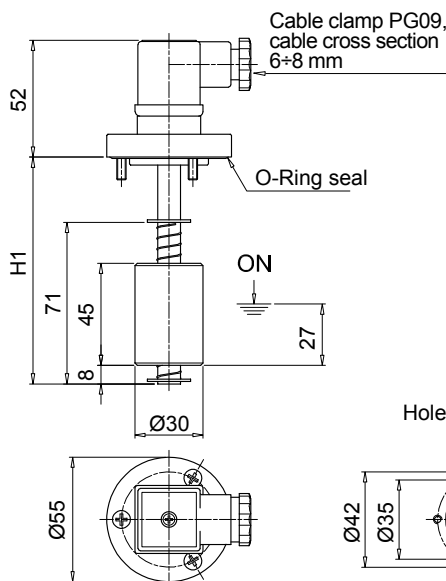
LEN

Series	Configuration example :									
LEN	LEN	A	350	2	A	1	A	G	S	P01
Tube material										
A Brass										
Length										
150 200 250 350 400 500										
Number of floats	Length									
	150	200	250	350	400	500				
1 Nr. 1 float	•	•	•	•	•	•				
2 Nr. 2 floats		•	•	•	•	•				
Float material										
A Nylon foam										
Electrical switch										
1 N.C. (Normally Closed)										
Seals										
A NBR										
Connections to the tank										
G Thread G 1"										
F Nr. 3 holes flange										
Electrical connection										
S DIN 43650 connector										
Execution										
P01 MP Filtri standard										
Pxx Customized										

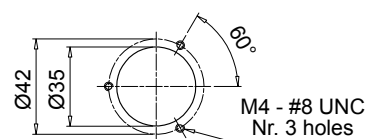
Connection "G"



Connection "F"



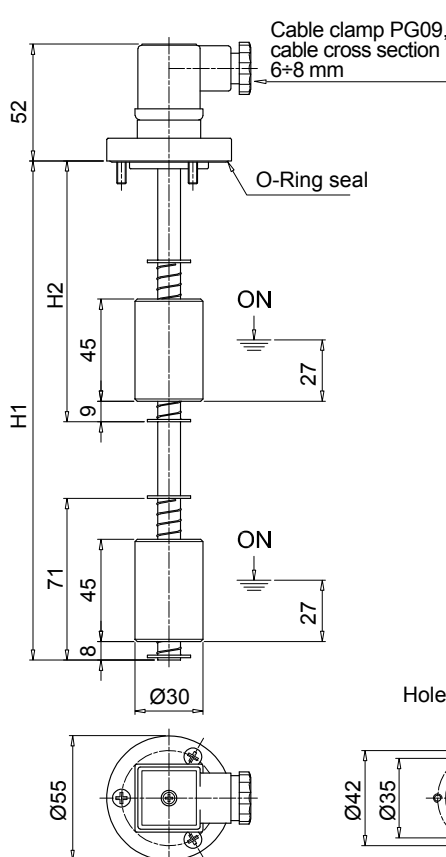
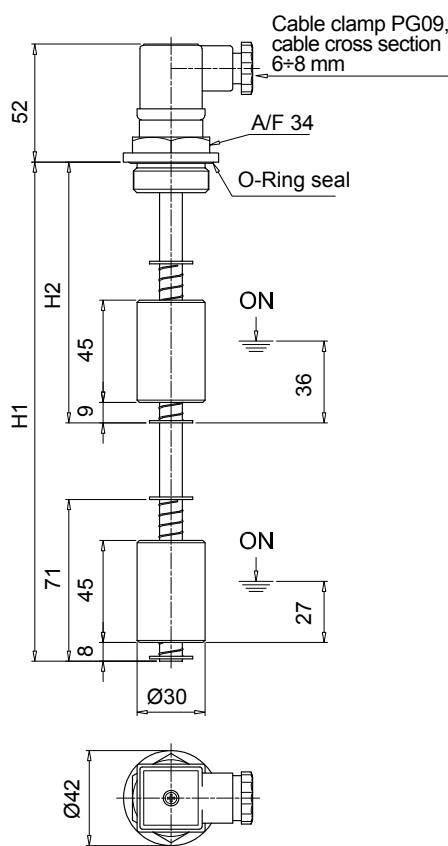
Holes on the tank



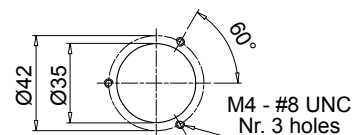
LEN

Nr. 1 float

Length	H1 [mm]
150	150
200	200
250	250
350	350
400	400
500	500



Holes on the tank



LEN

Nr. 2 floats

Length	H1 [mm]	H2 [mm]
200	200	95
250	250	105
350	350	115
400	400	115
500	500	125

Optional

DIN 43650 CONNECTOR

Materials

- Flange: aluminum
- Rod: brass
- Float: nylon foam
- Seals: A= NBR - V= FPM

Temperature

From -15 °C to +80 °C

For temperatures outside this range, contact MP Filtri Technical and Sales Department