

Technical data

Electrical oil level indicators

LET is a range of electrical fluid level indicators for monitoring of the fluid level into the tank. They are directly fitted on the tank.

The float moves through the rod while the fluid level changes.

A magnet, fitted into the float, turns a reed sensor fixed into the rod.

The integrated thermostat allows to get a remote monitoring of the temperature.

Available features:

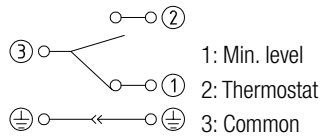
- G 1" male threaded or flanged connections
- Adjustable size on request, to meet every size of tank
- 1 float, to monitor the minimum level or the maximum level.

Common applications:

- Hydraulic systems
- Mobile machines
- Industrial equipment

Electrical symbol:

LET 2 Floats with thermostat



Note: to invert the contact status from NC to NO and vice versa, simply invert the float.

Materials

- Flange/Threaded body: Aluminium
- Tube: Brass, AISI 304 (on request)
- Float: Nylon foam, AISI 316 (on request)
- O-Ring: NBR
- Circlip: Phosphor bronze
- Contact: N.C. reed, N.O. (on request)

Electrical data

- Protection rating: IP65
- Max switching capacity: 80 W
- Max switching current: 1 A
- Max switching voltage: 250 Vac
- Fluid specific gravity: > 0.75

Temperature

From -15 °C to + 80 °C

Weight

LET A 200	0.20 kg
LET A 300	0.23 kg
LET A 400	0.28 kg



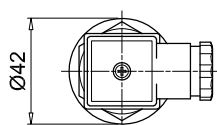
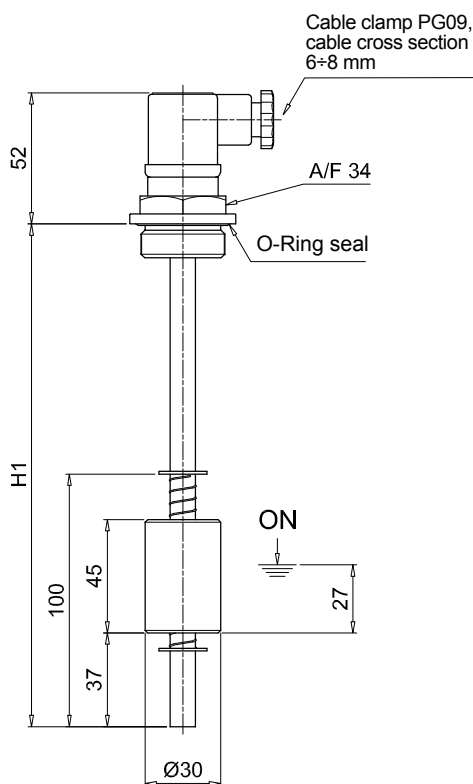
Designation & Ordering code

LET

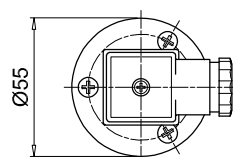
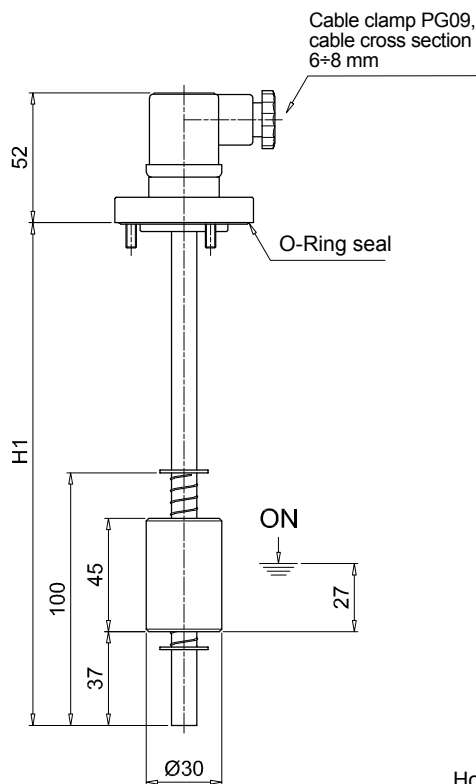
Series	Configuration example :	LET	A	300	1	A	1	A	F	S	50	P01
LET												
Tube material			A									
A Brass												
Length				300								
200 300 400												
Number of floats					1							
1 Nr. 1 float												
Float material						A						
A Nylon foam												
Electrical switch							1					
1 N.C. (Normally Closed)												
Seals								A				
A NBR												
Connections to the tank									F			
G Thread G 1"												
F Nr. 3 holes flange												
Electrical connection										S		
S DIN 43650 connector												
											Thermostat setting	
											50 50°C N.O. (Normally Open)	
												Execution
												P01 MP Filtri standard
												Pxx Customized

LET	
Length	H1 [mm]
200	200
300	300
400	400

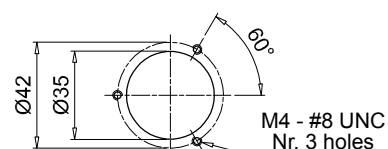
Connection "G"



Connection "F"



Holes on the tank



Optional

DIN 43650 CONNECTOR

Materials

- Flange: aluminum
- Rod: brass
- Float: nylon foam
- Seals: A= NBR - V= FPM

Temperature

From -15 °C to +80 °C

For temperatures outside this range, contact
MP Filtri Technical and Sales Department