

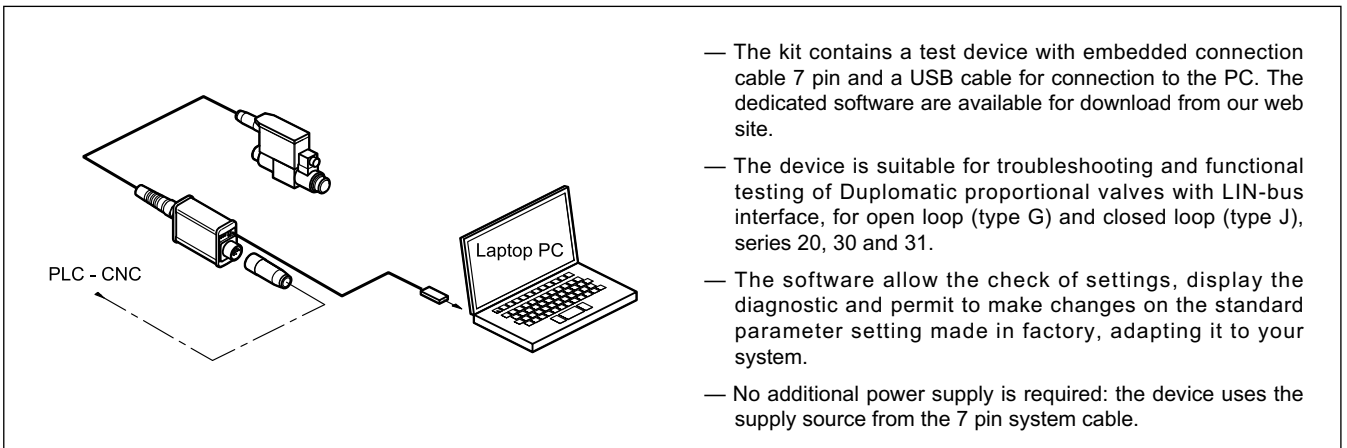


LINPC-USB

TEST DEVICE FOR PROPORTIONAL VALVES WITH INTEGRATED ELECTRONICS

SERIES 30

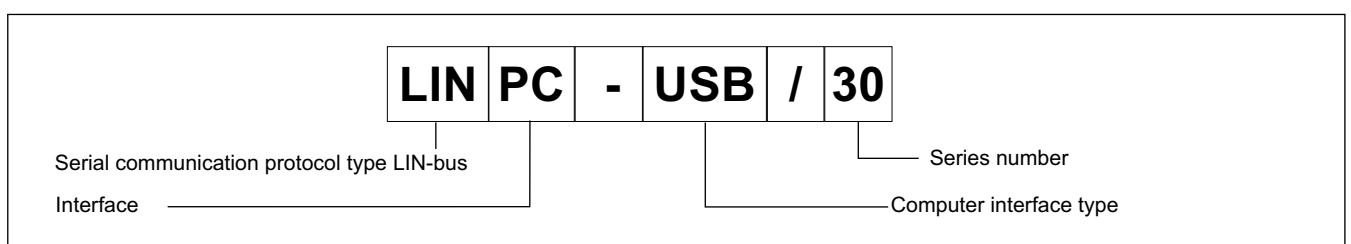
OPERATING PRINCIPLE



TECHNICAL CHARACTERISTICS

| | | |
|---------------------------------------|------|------------------------------------------------------------------------------|
| Power supply | V CC | 24 (19 + 30) |
| Current consumption | mA | 50 |
| Connector to the valve | | 7 - pin MIL-C-5015-G (DIN 43563) |
| Connection cable | | USB 2.0 |
| Electromagnetic compatibility (EMC) : | | according to 2004/108/EC EN 61000-6-4 (emissions) EN 61000-6-2 (immunity) |
| Housing dimensions | mm | 104x63x38 + 2000 outgoing cable |
| Operating temperature range | °C | -20 / +60 |
| Protection degree | | IP 20 |

1 - IDENTIFICATION CODE





LINPC-USB

SERIES 30

2 - DESCRIPTION

The device acts as interface between the PC and the valve on-board electronics. It allows the customization of the parameters via software and diagnostics and troubleshooting, by means of the internal monitors available in the software (EBC for series 30, EWMPc for series 20).

The kit contains:

- test device with integrated 7-pin cable to be connected to the valve
- USB Cable 2.0 A - Male to Micro B (3 m).

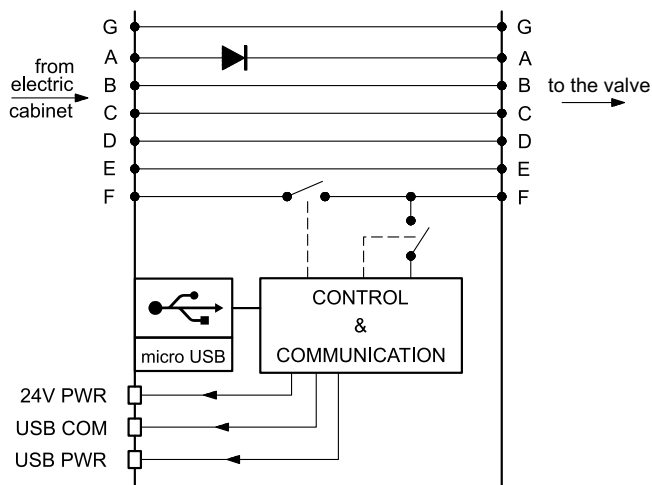
! The USB cable cannot be longer than 3 m, in order to maintain the communication quality.

Software and customization Guide are available for download at www.duplomatic.com, 'Documents & downloads'.

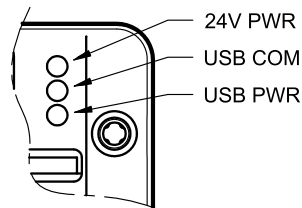
The EBC software is compliant with Windows OS 7, 8 and 10.

More details on device operation are available in the Software Guide.

3 - BLOCK DIAGRAM



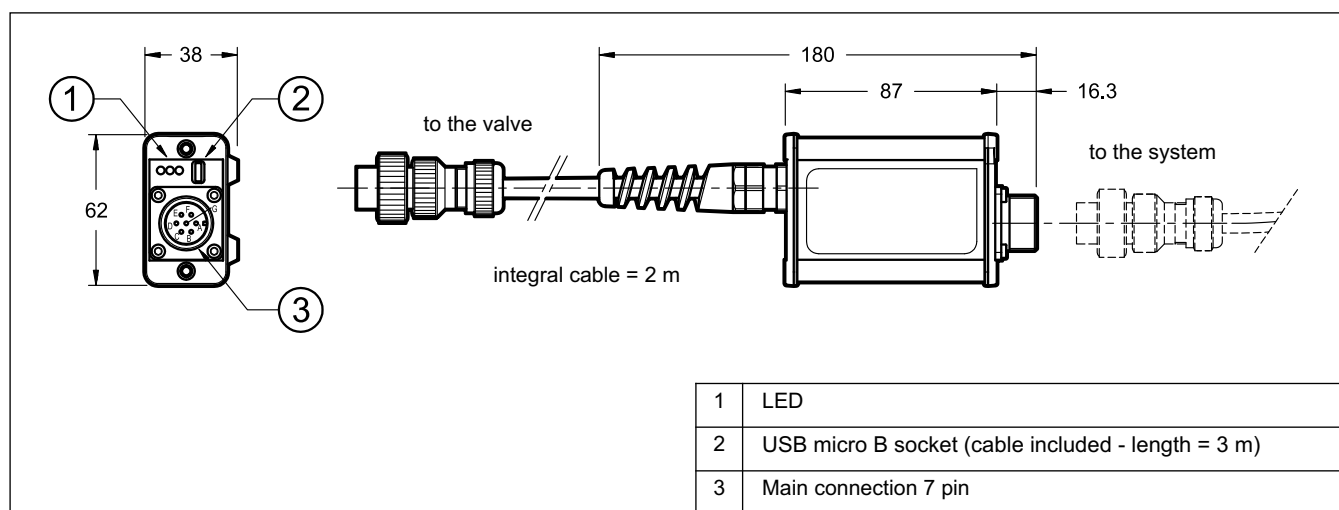
4 - LED



| function | description |
|-----------------------|-----------------------------------------------------------------------------------------------------------------------------------|
| 24V PWR (24V powered) | Main power supply via 24V (pin A) green LED indicates the device is powered by 24 V source on pin A of the 7-pin connector. |
| USB COM | USB communication red = [TX] transmission green = [RX] receiving |
| USB PWR (USB powered) | USB supply yellow indicates that the USB section is powered. |

! **WARNING!** Connecting the device will cut off the pin F monitor signal from the valve, in order to allow the LINbus communication. This behaviour can be managed via software.

5 - OVERALL DIMENSIONS



DIPLOMATIC OLEODINAMICA S.p.A.

20015 PARABIAGO (MI) • Via M. Re Depaolini 24

Tel. +39 0331.895.111

Fax +39 0331.895.339

www.duplomatic.com • e-mail: sales.exp@duplomatic.com