

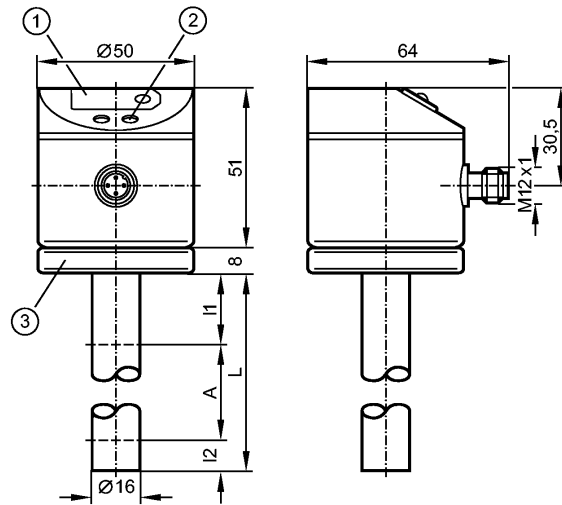


LK1222

LK0264A-A-00KUPKG/US/WHG



Level sensors



- 1: 7-segment LED display
- 2: Programming buttons
- 3: Housing connection with cable lug for cable 1.5 - 2.5 mm²



Product characteristics

Electronic level sensor

Quick disconnect

WHG § 19 approved

Probe length: L = 264 mm

1 operating output (OUT1)

1 overflow output (OUT-OP)

7-segment LED display

Application

Application	Hydrous coolants, oils, water, media similar to water
Cannot be used for:	extremely conductive and adhering media, granulates and bulk materials, acids and alkalis, food and electroplating applications
Dielectric constant medium	> 2
Medium temperature oil [°C]	0...65
Medium temperature water and hydrous media [°C]	0...35
Medium temperature coolant emulsions [°C]	0...35
Maximum speed of the change of level [mm/s]	100

Electrical data

Electrical design	DC PNP
Operating voltage [V]	12...30 DC
Current consumption [mA]	< 60
Protection class	III
Reverse polarity protection	yes

Outputs

Output	1 operating output (OUT1) 1 overflow output (OUT-OP)
Output function	1 x normally open / closed programmable (OUT1) 1 x normally closed (OUT-OP, overflow output)



LK1222

LK0264A-A-00KUPKG/US/WHG



Level sensors

Current rating	[mA]	200
Voltage drop	[V]	< 2.5
Short-circuit protection		yes (non-latching)
Overload protection		yes

Measuring / setting range

Probe length L	[mm]	264
Active range A	[mm]	195
Inactive range I1 / I2	[mm]	53 / 15
Setting range		
Set point, SP	[mm]	25...190
Reset point, rP	[mm]	20...185
in steps of	[mm]	5
Hysteresis	[mm]	5
Overflow switch point OP	[mm]	69 - 82 - 94 - 106 - 118 - 130 - 143 - 155 - 167 - 179 - 191 - 204
Hysteresis OP	[mm]	2

Accuracy / deviations

Deviations (% of value of measuring range)		
Switch point accuracy		± 5
Repeatability		± 2

Reaction times

Power-on delay time	[s]	3
---------------------	-----	---

Software / programming

Programming options	hysteresis / window function; N.O. / N.C; position of SP/rP; position of OP; OP adjustment; medium adjustment; offset; display unit
---------------------	---

Environment

Ambient temperature	[°C]	0...60
Storage temperature	[°C]	-25...80
Maximum vessel pressure	[bar]	0.5 (only for applications without pressure)
Protection		IP 67

Tests / approvals

Approval	WHG § 19
EMC	EN 61000-4-2 ESD: 4 kV CD / 8 kV AD EN 61000-4-3 HF radiated: 10 V/m EN 61000-4-4 Burst: 2 kV EN 61000-4-5 Surge: 500 V / 1 kV EN 61000-4-6 HF conducted: 10 V
Shock resistance	DIN EN 60068-2-29: 12 g (11 ms)
Vibration resistance	DIN EN 60068-2-6 2.5 g (10...2000 Hz)
MTTF	[Years] 278

Mechanical data

Materials (wetted parts)	PP (polypropylene)
Housing materials	EPDM/X (Santoprene); FPM (Viton); brass white bronze coated; NBR (Buna N); PBT (Pocan); PC (Makrolon); PP (polypropylene); PA (polyamide)
Weight	[kg] 0.508

Displays / operating elements

Display	Switching status 2 x LED red
---------	------------------------------



LK1222

LK0264A-A-00KUPKG/US/WHG



Level sensors

Measured values	7-segment LED display
Programming	7-segment LED display

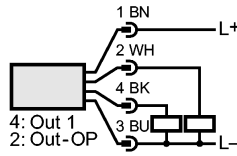
Electrical connection

Connection

M12 connector; gold-plated contacts

Wiring

OUT1 = operating output
OUT-OP = overflow output



Remarks

Pack quantity

[piece]

1