

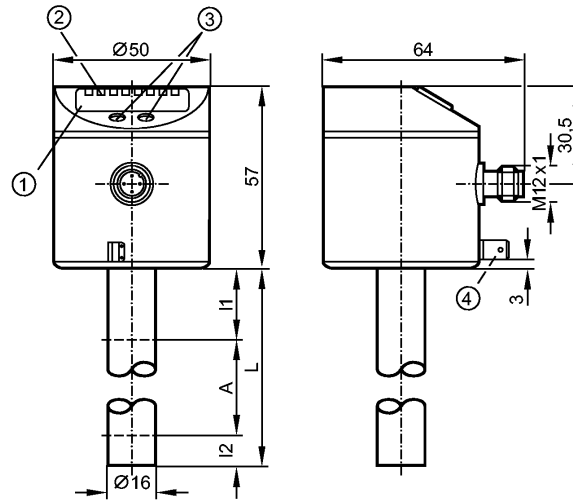


# LK3122

LK0264B-B-00KLPKG/US



Level sensors



- 1: 4-digit alphanumeric display
- 2: status LEDs
- 3: Programming buttons
- 4: Housing connection (flat-pin connector 6.3 mm following DIN 46244)



## Product characteristics

Electronic level sensor
Quick disconnect
Probe length: L = 264 mm
1 analog output (OUT2)
1 overflow output (OUT-OP)
4-digit alphanumeric display

## Application

Application	Hydrous coolants, oils, water, media similar to water
Cannot be used for:	extremely conductive and adhering media, granulates and bulk materials, acids and alkalis, food and electroplating applications
Dielectric constant medium	> 2
<b>Medium temperature oil</b>	
- Continuous [°C]	0...70
- Short time [°C]	0...90
Medium temperature water and hydrous media [°C]	0...35 (LK3122 + E43100: 0...65) **)
Medium temperature coolant emulsions [°C]	0...35 (LK3122 + E43100: 0...65) **)
Maximum speed of the change of level [mm/s]	100

## Electrical data

Electrical design	DC PNP
Operating voltage [V]	18...30 DC
Current consumption [mA]	< 60
Protection class	III
Reverse polarity protection	yes

## Outputs

Output	1 analog output (OUT2) 1 overflow output (OUT-OP)
--------	--



# LK3122

LK0264B-B-00KLPKG/US



Level sensors

Output function		1 x analog 4...20 mA / 0...10 V (OUT2); 1 x normally open / closed programmable (OUT-OP)
Current rating	[mA]	200
Voltage drop	[V]	< 2.5
Short-circuit protection		thermal, pulsed
Overload protection		yes
Analog output		I: 4...20 mA / U: 0...10 V
Max. load	[Ω]	I: max. 500 / U: min. 2000

Measuring / setting range		
Probe length L	[mm]	264
Active range A	[mm]	195
Inactive range I1 / I2	[mm]	53 / 15
Overflow switch point OP	[mm]	69 - 82 - 94 - 106 - 118 - 130 - 143 - 155 - 167 - 179 - 191 - 204
Hysteresis OP	[mm]	2

Accuracy / deviations		
Deviations (% of value of measuring range)		
Repeatability		± 2
Characteristics deviation		± 2
Offset error	[mm]	± 4
Measuring sensitivity		0.08 mA / mm 0.05 V / mm
Resolution	[mm]	2
Zero signal [mA] / [V]		3.6...4.0 / 0...0.2
Full signal [mA] / [V]		20...20.8 / 9.8...10.2

Reaction times		
Power-on delay time	[s]	3

Software / programming		
Programming options		Current / voltage output; position of OP; OP adjustment; medium adjustment; offset; display unit

Environment		
Ambient temperature	[°C]	0...60
Storage temperature	[°C]	-25...80
Maximum vessel pressure	[bar]	0.5 (mounted with mounting accessories E43001 - E43007)
Protection		IP 67

Tests / approvals		
EMC		EN 61000-4-2 ESD: 4 kV CD / 8 kV AD EN 61000-4-3 HF radiated: 10 V/m EN 61000-4-4 Burst: 2 kV EN 61000-4-6 HF conducted: 10 V
Shock resistance		DIN EN 60068-2-29: 15 g (11 ms)
Vibration resistance		DIN EN 60068-2-6: 5 g (10...2000 Hz)
MTTF	[Years]	224

Mechanical data		
Materials (wetted parts)		PP
Housing materials		stainless steel (304S15); FKM; NBR; PBT; PC; PEI; PP; TPE / V
Weight	[kg]	0.322



# LK3122

LK0264B-B-00KLPKG/US



Level sensors

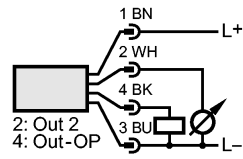
## Displays / operating elements

Display	Display unit / status 2 x LED green Switching status 1 x LED yellow Measured values 4-digit alphanumeric display Programming 4-digit alphanumeric display
---------	--

## Electrical connection

Connection	M12 connector (according to EN 61076-2-101); gold-plated contacts
------------	---

### Wiring



## Remarks

Remarks	cULus - Class 2 source required **) for water and hydrous media with temperatures > 35 °C install the unit into a climatic tube (order no. E43100)
---------	---

Pack quantity	[piece]	1
---------------	---------	---