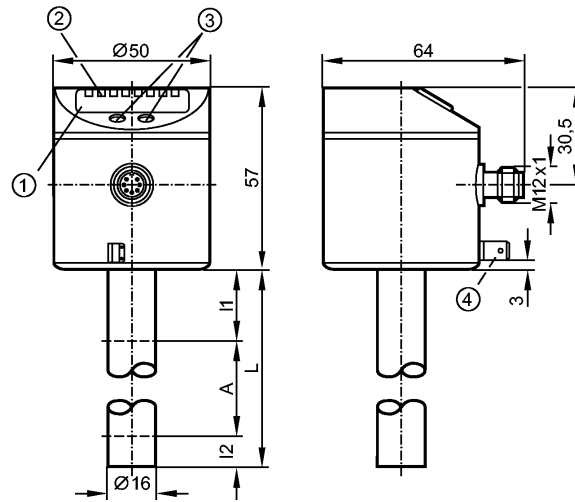


LK8122

LK0264B-B-00KVPKG/US

Level sensors

Please note the wiring of the sensor and the sockets (see data sheet) as for 8-pole sockets the core colours are not standardised.



- 1: 4-digit alphanumeric display
- 2: LEDs
- 3: Programming buttons
- 4: Housing connection (flat-pin connector 6.3 mm following DIN 46244)



Product characteristics

Electronic level sensor
Quick disconnect
Probe length: L = 264 mm
3 operating outputs (OUT1...OUT3) 1 overflow output (OUT-OP) Indication of the level as a 8-4-2-1 binary code
4-digit alphanumeric display

Application

Application	Hydrous coolants, oils, water, media similar to water
Cannot be used for:	extremely conductive and adhering media, granulates and bulk materials, acids and alkalis, food and electroplating applications
Dielectric constant medium	> 2
Medium temperature oil	
- Continuous [°C]	0...70
- Short time [°C]	0...90
Medium temperature water and hydrous media [°C]	0...35 (LK8122 + E43100: 0...65) **
Medium temperature coolant emulsions [°C]	0...35 (LK8122 + E43100: 0...65) **
Maximum speed of the change of level [mm/s]	100

Electrical data

Electrical design	DC PNP
Operating voltage [V]	18...30 DC
Current consumption [mA]	< 60
Protection class	III
Reverse polarity protection	yes

LK8122

LK0264B-B-00KVPKG/US

Level sensors

Outputs	
Output	3 operating outputs (OUT1...OUT3) 1 overflow output (OUT-OP) Indication of the level as a 8-4-2-1 binary code
Output function	3 x normally open / closed programmable (OUT1...OUT3); 1 x normally open / closed programmable (OUT-OP)
Current rating [mA]	200
Voltage drop [V]	< 2.5
Short-circuit protection	thermal, pulsed
Overload protection	yes
Measuring / setting range	
Probe length L [mm]	264
Active range A [mm]	195
Inactive range I1 / I2 [mm]	53 / 15
Setting range	
Set point, SP [mm]	25...190
Reset point, rP [mm]	20...185
in steps of [mm]	5
Hysteresis [mm]	5
Overflow switch point OP [mm]	69 - 82 - 94 - 106 - 118 - 130 - 143 - 155 - 167 - 179 - 191 - 204
Hysteresis OP [mm]	2
Accuracy / deviations	
Deviations (% of value of measuring range)	
Switch point accuracy	± 5
Repeatability	± 2
Reaction times	
Power-on delay time [s]	3
Software / programming	
Programming options	hysteresis / window function; N.O. / N.C; position of SP/rP; position of OP; OP adjustment; medium adjustment; offset; display unit; switching mode / binary mode
Environment	
Ambient temperature [°C]	0...60
Storage temperature [°C]	-25...80
Maximum vessel pressure [bar]	0.5 (mounted with mounting accessories E43001 - E43007)
Protection	IP 67
Tests / approvals	
EMC	EN 61000-4-2 ESD: 4 kV CD / 8 kV AD EN 61000-4-3 HF radiated: 10 V/m EN 61000-4-4 Burst: 2 kV EN 61000-4-6 HF conducted: 10 V
Shock resistance	DIN EN 60068-2-29: 15 g (11 ms)
Vibration resistance	DIN EN 60068-2-6 5 g (10...2000 Hz)
MTTF [Years]	201
Mechanical data	
Materials (wetted parts)	PP
Housing materials	stainless steel (304S15); FKM; NBR; PBT; PC; PEI; PP; TPE / V
Weight [kg]	0.318

LK8122

LK0264B-B-00KVPKG/US

Level sensors

Displays / operating elements

Display

Display unit 2 x LED green
 Switching status 4 x LED yellow
 Measured values 4-digit alphanumeric display
 Programming 4-digit alphanumeric display

Electrical connection

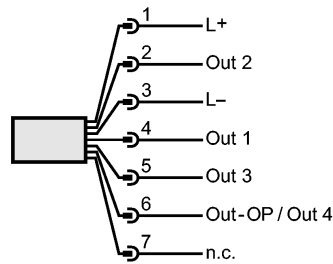
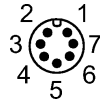
Connection

M12 connector (according to EN 61076-2-101); gold-plated contacts

Wiring

Output configuration in switching mode:
 OUT1...OUT3 = operating outputs
 OUT-OP = overflow output

Output configuration in binary mode:
 OUT1...OUT4 = 8-4-2-1 binary code for level



Remarks

Remarks

cULus - Class 2 source required
 n.c. = not connected
 **) for water and hydrous media with temperatures > 35 °C install the unit into a climatic tube (order no. E43100)

Pack quantity

[piece]

1

ifm efector, inc. • 1100 Atwater Drive • Malvern • PA 19355 — We reserve the right to make technical alterations without prior notice. — US — LK8122 — 15.11.2012

Please note the wiring of the sensor and the sockets (see data sheet) as for 8-pole sockets the core colours are not standardised.