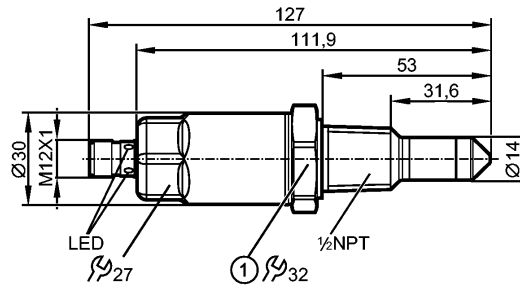


LMC502

LMCCE-N12E-QSKG-2/US

Level sensors



1: tightening torque 50 Nm



Product characteristics

Electronic level sensor

Quick disconnect

Process connection: 1/2" NPT

gold-plated contacts

Probe length: 38 mm

2 switching outputs

Application

Application	liquid, viscous and powdery media
Recommended media	water, water-based media, oils, oil-based media, powdery media
Cannot be used for:	See the operating instructions, chapter "Function and features".

Medium temperature oil

- Continuous	[°C]	-20...100
- Short time	[°C]	-20...150 (1 h)

Medium temperature water and hydrous media

- Continuous	[°C]	-20...85
- Short time	[°C]	-20...150 (1 h)

Electrical data

Electrical design		DC PNP/NPN
Operating voltage	[V]	18...30 DC
Current consumption	[mA]	< 50
Protection class		III
Reverse polarity protection		yes

Outputs

Output		2 switching outputs
Output function		2 x normally open / closed programmable
Current rating	[mA]	100
Voltage drop	[V]	< 2.5
Short-circuit protection		yes (non-latching)
Overload protection		yes

Interfaces

IO-Link Device		
Transfer type		COM2 (38.4 kBaud)
IO-Link revision		1.1
SDCI standard		IEC 61131-9 FDIS

LMC502

LMCCE-N12E-QSKG-2/US

Level sensors

IO-Link Device ID	370 d / 00 01 72 h
Profiles	Smart Sensor: Process Data Variable; Device Identification
SIO mode	yes
Required master port class	A
Process data analogue	1
Process data binary	2
Min. process cycle time [ms]	2.3

Environment

Ambient temperature [°C]	-20...85, at max. 100 °C medium temperature (-20...60 °C at max. 150 °C medium temperature)
Storage temperature [°C]	-40...85
Maximum vessel pressure [bar]	-1...40
Protection	IP 68 / IP 69K

Tests / approvals

EMC	DIN EN 61000-6-2 DIN EN 61000-6-4 / (open tanks) DIN EN 61000-6-3 / (closed tanks)
Shock resistance	DIN EN 60068-2-27 50 g (11 ms)
Vibration resistance	DIN EN 60068-2-6 20 g (10...2000 Hz)
MTTF [Years]	223

Mechanical data

Process connection	½" NPT
Materials (wetted parts)	PEEK; surface characteristics: Ra < 0.8
Housing materials	316L stainless steel / 1.4404; PEEK; PEI; FKM
Weight [kg]	0.258

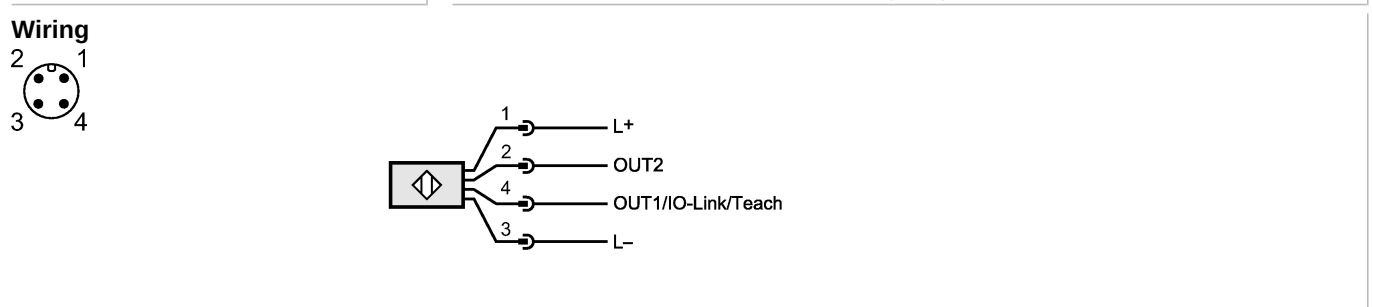
Displays / operating elements

Display	Switching status 2 LED yellow operating status 2 LED green
---------	---

Electrical connection

Connection	M12 connector; gold-plated contacts
------------	-------------------------------------

Wiring



Remarks

Pack quantity [piece]	1
-----------------------	---