

LMD 400-401 & 431 series

Maximum pressure up to 16 bar - Flow rate up to 590 l/min



Technical data

Low & Medium Pressure filters Maximum pressure up to 16 bar - Flow rate up to 590 l/min

Filter housing materials

- Head: Anodized Aluminium
- Housing: Anodized Aluminium
- Manifolds: Steel - Painted black
- Bypass valve: Steel
- 3-way ball valve: Steel housings - Stainless Steel ball
- Valve: Phosphated Steel - Stainless Steel

Seals

FPM series V

Temperature

From -25° C to +110° C

Pressure

- Working pressure: 1.6 MPa (16 bar)
- Test pressure: 2.5 MPa (25 bar)

Connections

- LMD 400-401: In-line Inlet/Outlet
- LMD 401: Same side
- LMD 400-401-431: In-Line

Bypass valve

- Opening pressure 3.5 bar ±10%
- Other opening pressures on request.

Note

LMP 400 - 401 - 431 filters are provided for vertical mounting

Δp element type

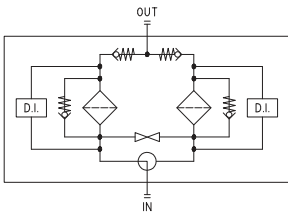
- Microfibre filter elements - series N - W: 20 bar
- Fluid flow through the filter element from OUT to IN.

Weights [kg] and volumes [dm³]

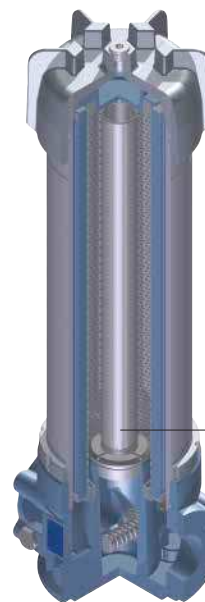
	Weights [kg]			Volumes [dm ³]				
	Length	4	5	6	Length	4	5	6
LMD 400 - 401	60	65	72		20	28	33	
LMD 431	-	68	78		-	28	33	

Hydraulic symbols

LMD 400-401-431-951



P2 EXECUTION



Execution P02
"Internal tube for reduced flow rate"
is recommended for flow rate
values below 150 l/min.

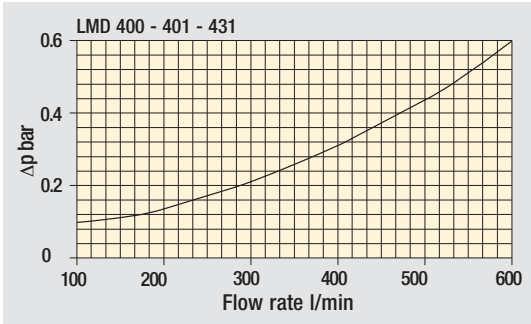
The use of option P02
makes it easier to fill the housing
with the operating fluid.

"Internal tube for reduced flow rates"

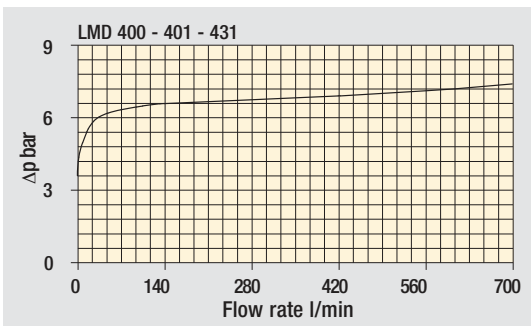
The curves are plotted using mineral oil with density of 0.86 kg/dm³ in compliance with ISO 3968.
 Δp varies proportionally with density.

Pressure drop

Filter housings Δp pressure drop

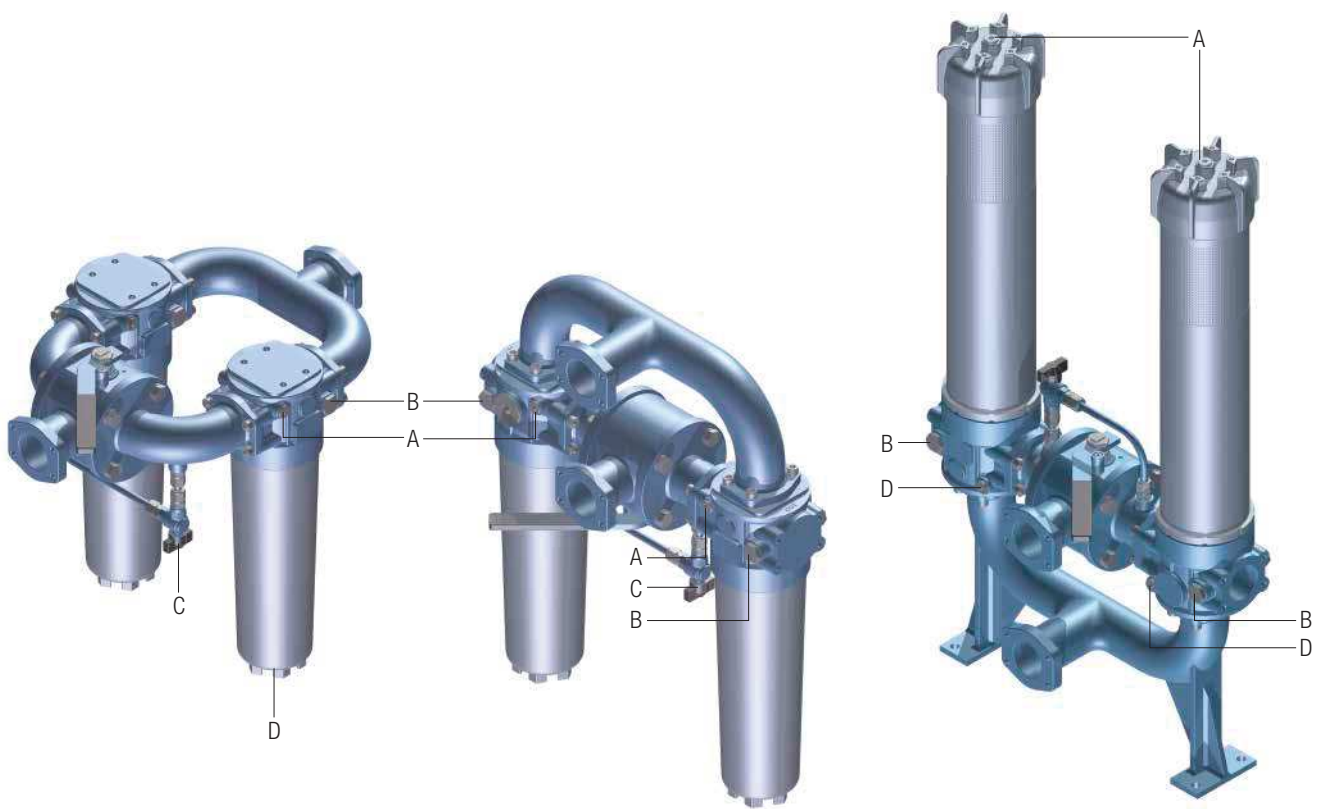


Bypass valve pressure drop



Focus on

- A Breather plug G3/8" - A/F 8
 - B Indicator port Plug T2 - A/F 30
 - C Compensation valve
 - D Oil drain plug G3/8" - A/F 8
- LMP 400 - 401 - 431
 Fit one differential indicator for individual filter assembly.



LMD400-401

Designation & Ordering code

COMPLETE FILTER

Series ad size		Configuration example: LMD401 4 B V F1 A10 N P01									
LMD400 LMD401											
Filter length											
4 5 6											
Bypass valve											
S Without bypass B 3.5 bar											
Seals and treatments		Filtration rating									
		Axx	Mxx	Pxx							
V FPM		•	•	•							
Z FPM compatible with fluids HFA-HFB-HFC		•	•								
Connections		LMD400		LMD401							
F1 2 1/2" SAE 3000 psi/M		•	•								
F2 2 1/2" SAE 3000 psi/UNC		•	•								
F3 2 1/2" SAE 3000 psi/M, In-line connections											
F4 2 1/2" SAE 3000 psi/UNC, In-line connections			•								
Filtration rating (filter media)											
A03 Inorganic microfiber 3 µm		M25 Wire mesh 25 µm									
A06 Inorganic microfiber 6 µm		M60 Wire mesh 60 µm									
A10 Inorganic microfiber 10 µm		M90 Wire mesh 90 µm									
A16 Inorganic microfiber 16 µm		P10 Resin impregnated paper 10 µm									
A25 Inorganic microfiber 25 µm		P25 Resin impregnated paper 25 µm									
Filter element Δp		Execution			Filter length						
N 20 bar		P01 MP Filtri standard			4 5 6						
		P02 Maintenance from the bottom of the housing			• • •						
		Pxx Customized			• •						

FILTER ELEMENT

Filter element series ad size		Configuration example: CU400 4 A10 V N P01									
CU400											
Filter element length											
4 5 6											
Filtration rating (filter media)											
A03 Inorganic microfiber 3 µm		M25 Wire mesh 25 µm									
A06 Inorganic microfiber 6 µm		M60 Wire mesh 60 µm									
A10 Inorganic microfiber 10 µm		M90 Wire mesh 90 µm									
A16 Inorganic microfiber 16 µm		P10 Resin impregnated paper 10 µm									
A25 Inorganic microfiber 25 µm		P25 Resin impregnated paper 25 µm									
Seals		Filtration rating									
		Axx	Mxx	Pxx							
V FPM		•	•	•							
Z FPM compatible with fluids HFA-HFB-HFC		•	•								
Filter element Δp		Execution			Filter length						
N 20 bar		P01 MP Filtri standard			4 5 6						
		Pxx Customized			• •						

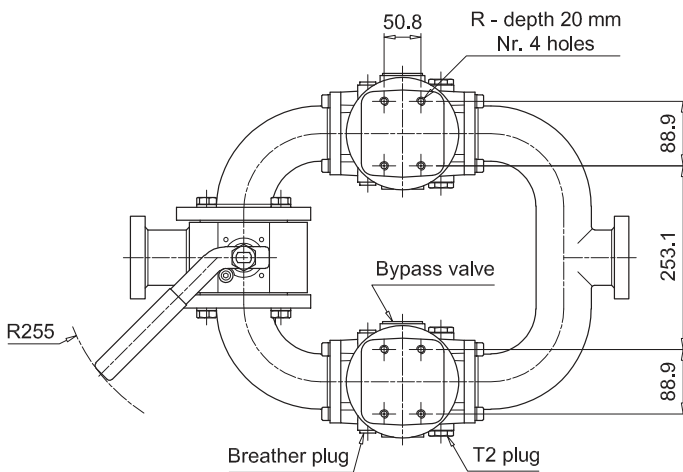
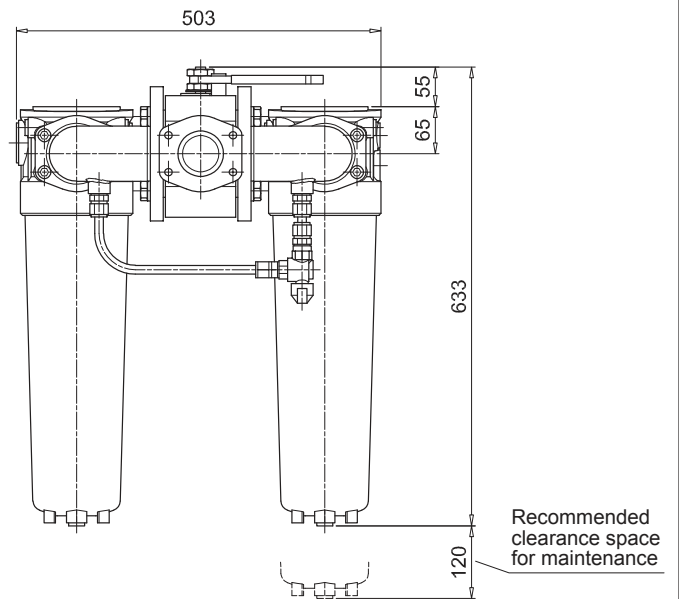
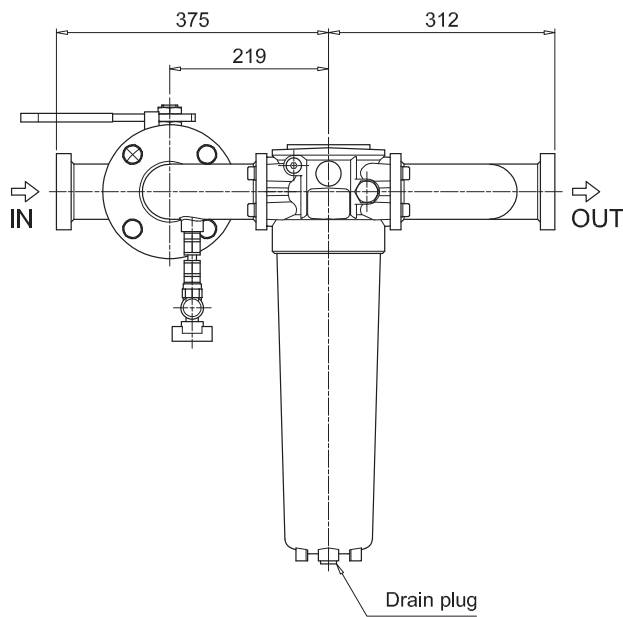
ACCESSORIES

Differential indicators		page			page
DEA Electrical differential indicator		417	DTA Electronic differential indicator		420
DEM Electrical differential indicator		417-418	DVA Visual differential indicator		420
DLA Electrical / visual differential indicator		418-419	DVM Visual differential indicator		420
DLE Electrical / visual differential indicator		419			
Additional features		page			
T2 Plug		421			

LMD400-401

Dimensions

LMD400	
Length 4	
Connections	R
F1	M12
F2	1/2" UNC
F3	M12
F4	1/2" UNC



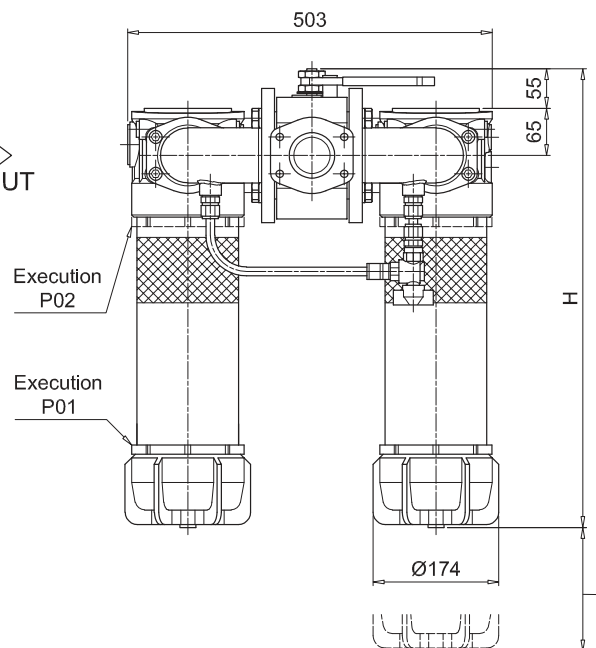
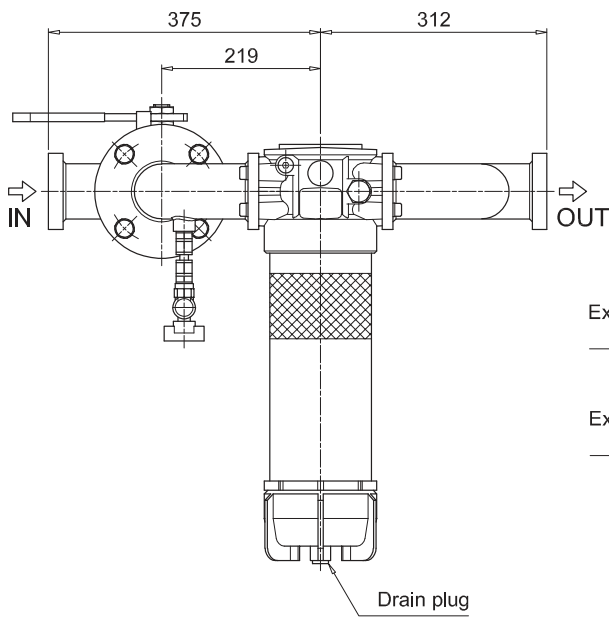
T2 plug =
connection for differential indicator

LMD400-401

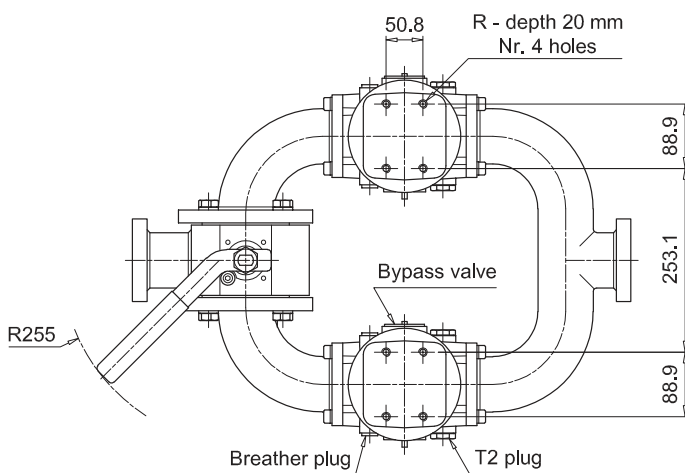
Dimensions

LMD400			
Length 5 - 6			
Filter length	H [mm]	H2 [mm]	
		Execution P01	Execution P02
5	883	120	660
6	1213	120	690

Connections	R
F1	M12
F2	1/2" UNC
F3	M12
F4	1/2" UNC



H2 - Recommended clearance space for maintenance

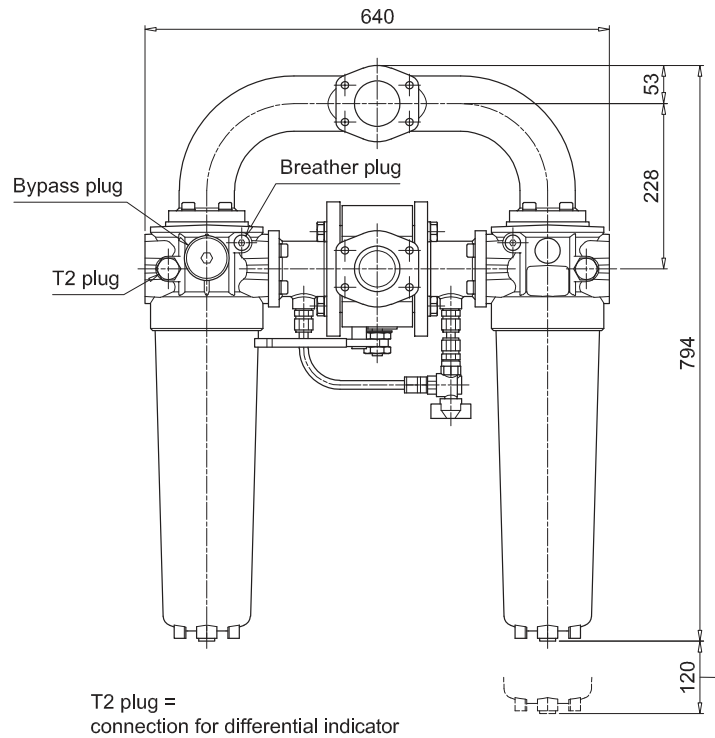
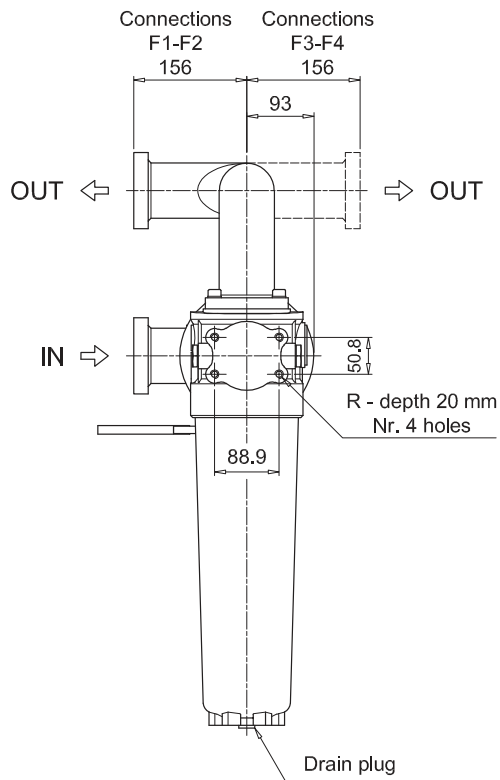


T2 plug =
connection for differential indicator

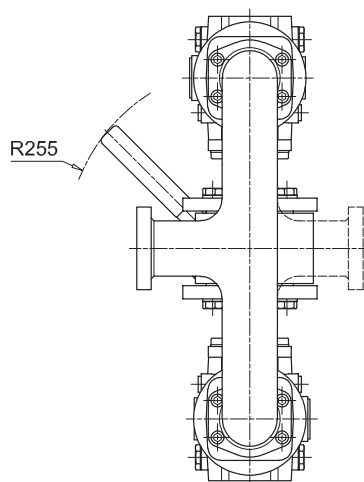
LMD400-401

Dimensions

LMD401	
Length 4	
Connections	R
F1	M12
F2	1/2" UNC
F3	M12
F4	1/2" UNC



Recommended
clearance space
for maintenance



LMD400-401

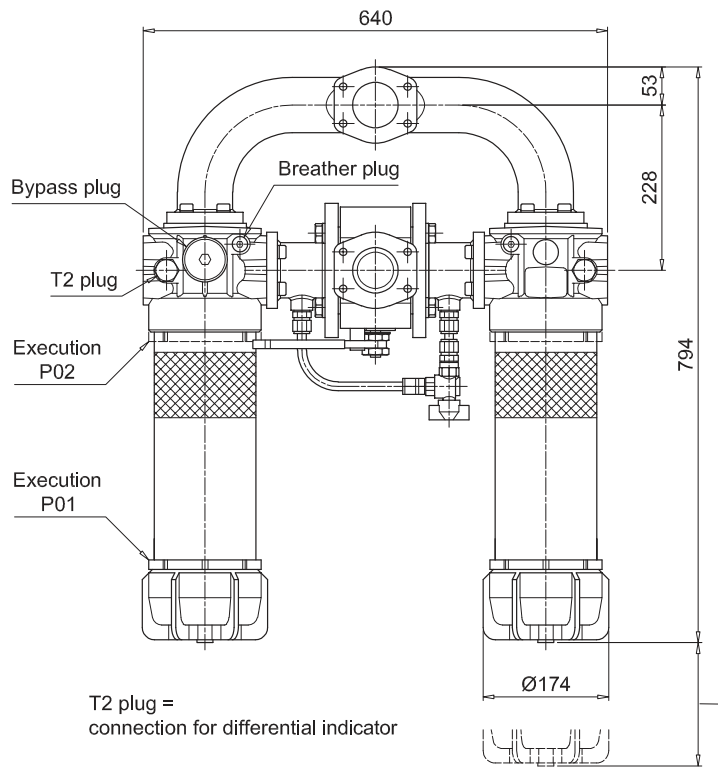
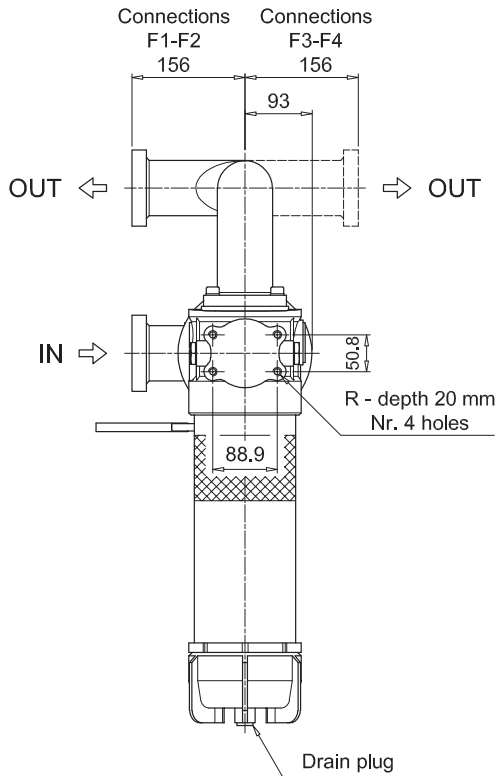
Dimensions

LMD401

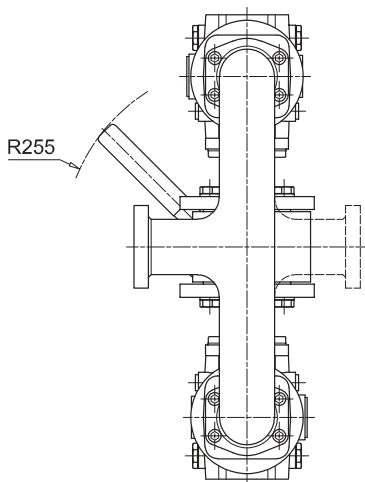
Length 5 - 6

Filter length	H [mm]	H2 [mm]	
		Execution P01	Execution P02
5	1044	120	660
6	1374	120	690

Connections	R
F1	M12
F2	1/2" UNC
F3	M12
F4	1/2" UNC



H2 - Recommended clearance space for maintenance



LMD431

Designation & Ordering code

COMPLETE FILTER

Series ad size LMD431	Configuration example: LMD431 5 B V F1 A10 N P01									
Filter length 5 6										
Bypass valve S Without bypass B 3.5 bar										
Seals and treatments	Filtration rating									
V FPM	Axx	Mxx	Pxx							
Z FPM compatible with fluids HFA-HFB-HFC	•	•	•							
Connections										
F1 2 1/2" SAE 3000 psi/M										
F2 2 1/2" SAE 3000 psi/UNC										
F3 2 1/2" SAE 3000 psi/M, In-line connections										
F4 2 1/2" SAE 3000 psi/UNC, In-line connections										
Filtration rating (filter media)										
A03 Inorganic microfiber 3 µm	M25 Wire mesh 25 µm									
A06 Inorganic microfiber 6 µm	M60 Wire mesh 60 µm									
A10 Inorganic microfiber 10 µm	M90 Wire mesh 90 µm									
A16 Inorganic microfiber 16 µm	P10 Resin impregnated paper 10 µm									
A25 Inorganic microfiber 25 µm	P25 Resin impregnated paper 25 µm									
	Filter element Δp			Execution						
	N 20 bar			P01 MP Filtri standard						
				P02 With internal reduced flow rate tube						
				Pxx Customized						

FILTER ELEMENT

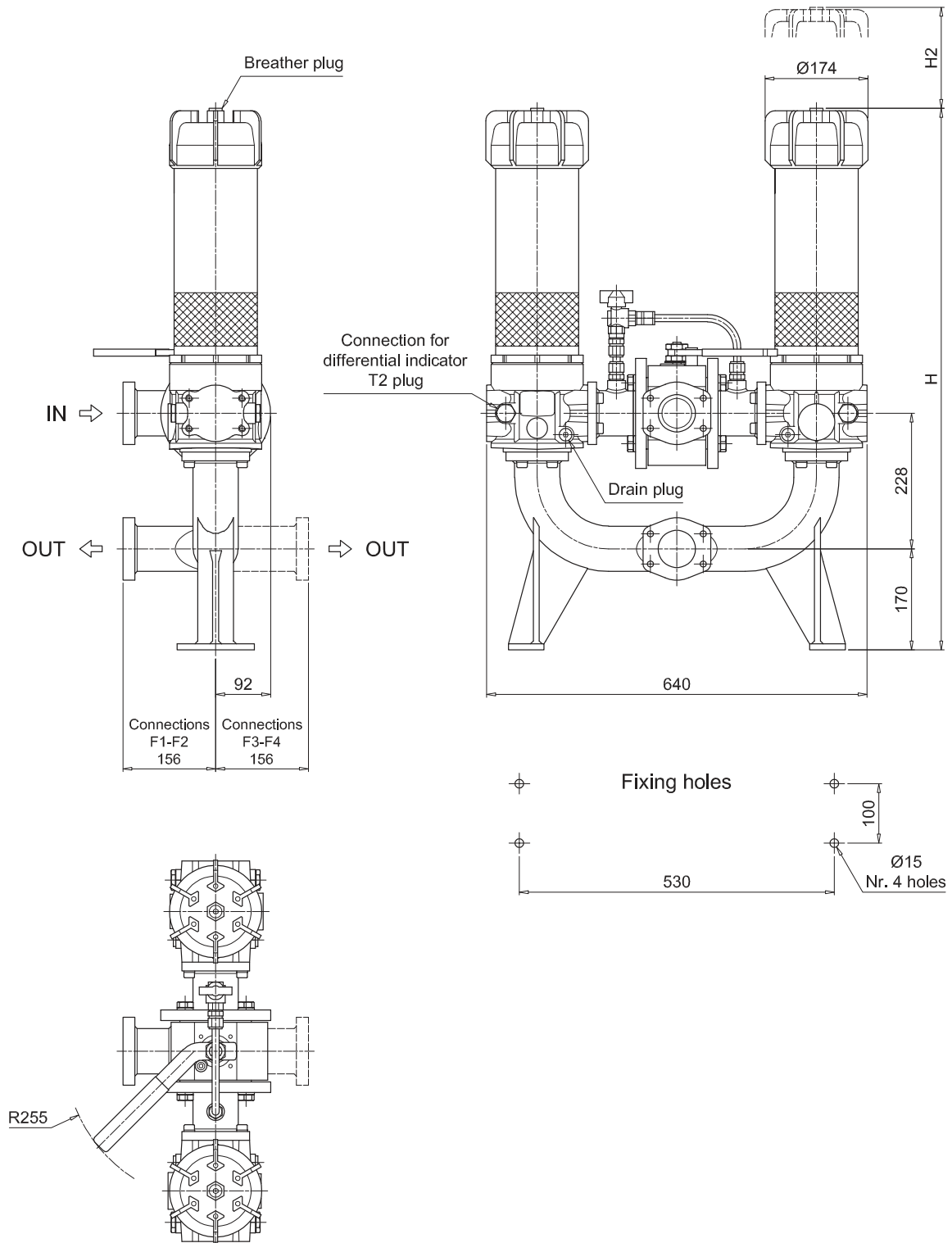
Filter element series ad size CU400	Configuration example: CU400 5 A10 V N P01						
Filter element length 5 6							
Filtration rating (filter media)							
A03 Inorganic microfiber 3 µm	M25 Wire mesh 25 µm						
A06 Inorganic microfiber 6 µm	M60 Wire mesh 60 µm						
A10 Inorganic microfiber 10 µm	M90 Wire mesh 90 µm						
A16 Inorganic microfiber 16 µm	P10 Resin impregnated paper 10 µm						
A25 Inorganic microfiber 25 µm	P25 Resin impregnated paper 25 µm						
Seals	Filtration rating						
V FPM	Axx	Mxx	Pxx				
Z FPM compatible with fluids HFA-HFB-HFC	•	•	•				
	Filter element Δp			Execution			
	N 20 bar			P01 MP Filtri standard			
				Pxx Customized			

ACCESSORIES

Differential indicators	page		page
DEA Electrical differential indicator	417	DTA Electronic differential indicator	420
DEM Electrical differential indicator	417-418	DVA Visual differential indicator	420
DLA Electrical / visual differential indicator	418-419	DVM Visual differential indicator	420
DLE Electrical / visual differential indicator	419		
Additional features	page		
T2 Plug	421		

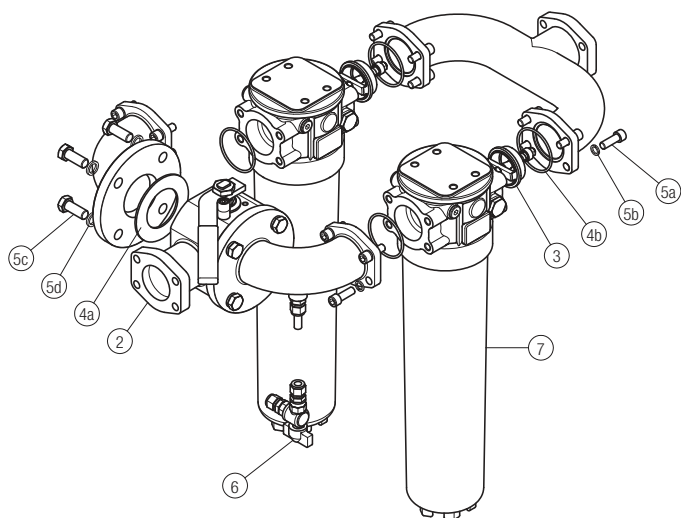
LMD431

Filter length	H [mm]	H2 [mm]
5	1161	660
6	1491	690

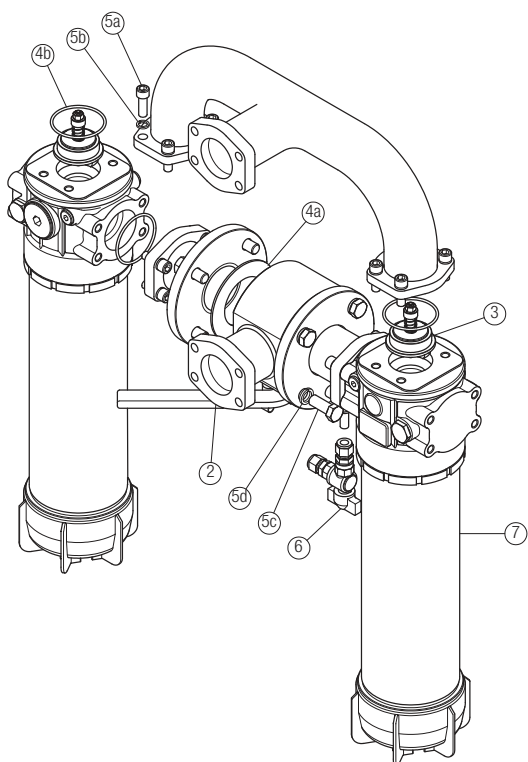


Order number for spare parts

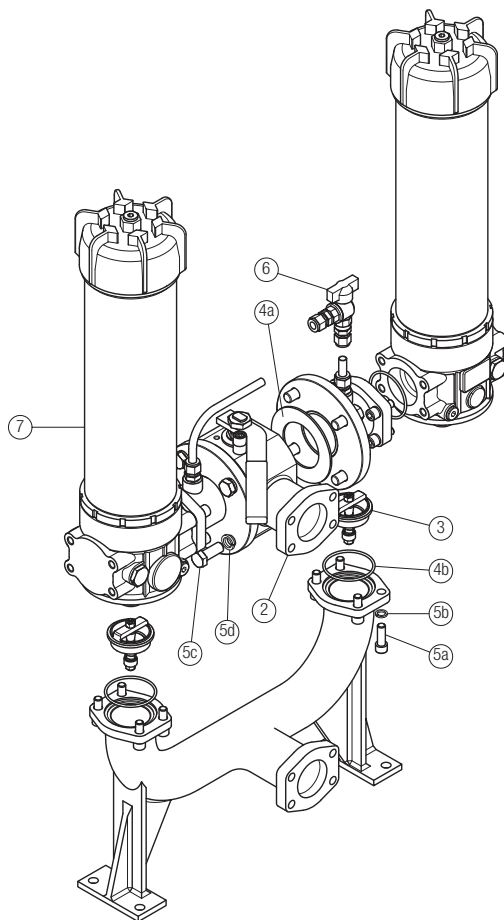
LMD 400



LMD 401



LMD 431



Item:	Q.ty: 1 pc.		Q.ty: 2 pcs.	Q.ty: 1 pc.	Q.ty: 1 pc.	Q.ty: 1 pc.	Q.ty: 2 pcs.
Filter series	3-way ball valve PN 16 2 1/2" SAE 3000 psi/M 2 1/2" SAE 3000 psi/UNC		One-way valve	Seal Kit	Threaded fasteners kit	Kit ball valve with hose fitting	Filter See order table
LMD 400 - 401 - 431	02001440	02001441	02001429	02050399	02049062	02025043	LMP400xF2.....