

LMP 900-901 series

Filter element according to DIN 24550

Maximum working pressure up to 3 MPa (30 bar) - Flow rate up to 2000 l/min



LMP 900-901 GENERAL INFORMATION

Filter element according to DIN 24550

Description

Low & Medium Pressure filters

Maximum working pressure up to 3 MPa (30 bar)
Flow rate up to 2000 l/min

LMP900 is a range of low pressure filter with large filtration surface mainly suitable for lubrication, off-line filtration of the reservoirs and filtration equipment.

They are directly connected to the lines of the system through the hydraulic fittings.

Available features:

- Flanged connections up to 4", for a maximum flow rate of 2000 l/min
- In line or 90° connections, to meet any type of application
- Filter element designed in accordance with DIN 24550 regulation
- Fine filtration rating, to get a good cleanliness level into the system
- Water removal elements, to remove the free water from the hydraulic fluid. For further information, see the Contamination Management document and the dedicate leaflet.
- Bypass valve, to relieve excessive pressure drop across the filter media
- Vent ports, to avoid air trapped into the filter going into the system
- Drain ports, to remove the fluid from the housing prior the maintenance work
- Visual, electrical and electronic differential clogging indicators

Common applications:

- Off-line filtration of reservoirs
- Filtration systems
- Lubrication systems

Technical data

Filter housing materials

- Head: Anodized Aluminium
- Housing: Anodized Aluminium
- Manifolds: Anodized Aluminium
- Bypass valve: Steel

Pressure

- Test pressure: 4.5 MPa (45 bar)
- Burst pressure: 12 MPa (120 bar)
- Pulse pressure fatigue test: 1 000 000 cycles with pressure from 0 to 3 MPa (30 bar)

Bypass valve

- Opening pressure 350 kPa (3.5 bar) ±10%
- Other opening pressures on request.

Number of filter elements

LMP 900-1: 1 filter element CU900
 LMP 900-2: 2 filter elements CU900

Filter elements

Filter element according to DIN 24550
 Size: 1000

Δp element type

- Microfibre filter elements - series N: 20 bar
- Fluid flow through the filter element from OUT to IN

Connections

LMP 900: In-line Inlet/Outlet
 LMP 901: 90° Inlet/Outlet

Seals

- Standard NBR series A
- Optional FPM series V

Temperature

From -25 °C to +110 °C

Note

LMP 900 - 901 filters are provided for vertical mounting



Weights [kg] and volumes [dm³]

Filter series	Weights [kg]			Volumes [dm³]		
	Length	1	2	Length	1	2
LMP 900-901		19.2	30.4		16	24

GENERAL INFORMATION LMP 900-901

Filter element according to DIN 24550

FILTER ASSEMBLY SIZING
Flow rates [l/min]

Filter series	Length	Filter element design - N Series						M25 M60 M90 M250
		A03	A06	A10	A16	A25		
LMP 900	1	706	877	1264	1291	1444	1803	
	2	1100	1264	1556	1573	1668	1867	
LMP 901	1	715	899	1337	1369	1552	2000	
	2	1147	1337	1689	1710	1828	2081	

Maximum flow rate for a complete low and medium pressure filter with a pressure drop $\Delta p = 0.7$ bar.

The reference fluid has a kinematic viscosity of 30 mm²/s (cSt) and a density of 0.86 kg/dm³.

For different pressure drop or fluid viscosity we recommend to use our selection software available on www.mpfiltri.com.

You can also calculate the right size using the formulas present on the FILTER SIZING paragraph at the beginning of the full catalogue or at the beginning of the filter family brochure. Please, contact our Sales Department for further additional information.

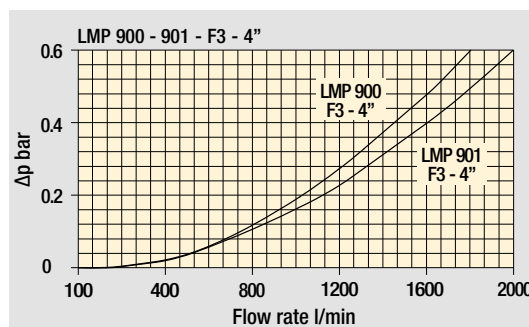
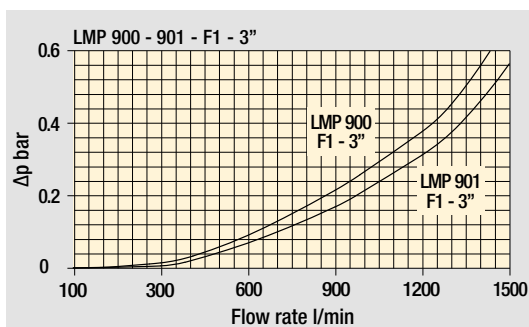
LMP 900-901 Length 2



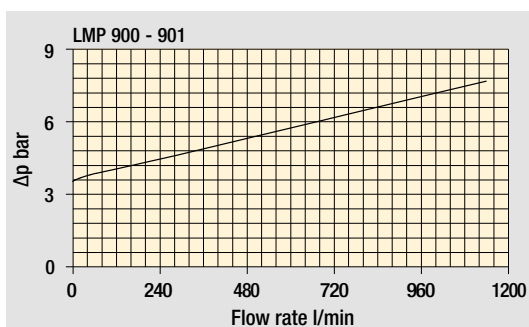
Hydraulic symbols

Filter series	Execution S	Execution B
LMP 900-901	●	●

Pressure drop Filter housings Δp pressure drop



Bypass valve pressure drop



The curves are plotted using mineral oil with density of 0.86 kg/dm³ in compliance with ISO 3968. Δp varies proportionally with density.

LMP 900-901 Filter element according to DIN 24550

Designation & Ordering code

COMPLETE FILTER

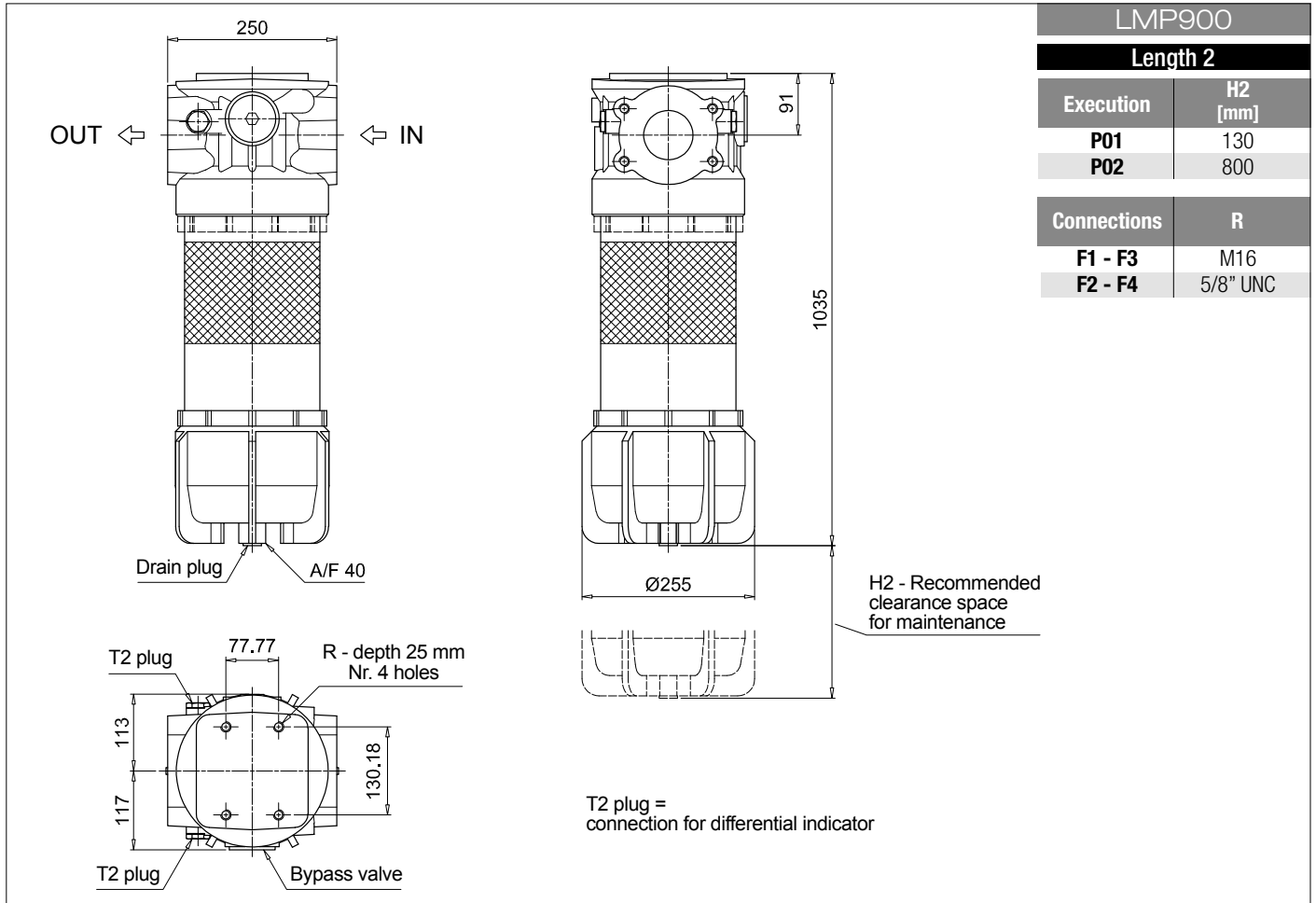
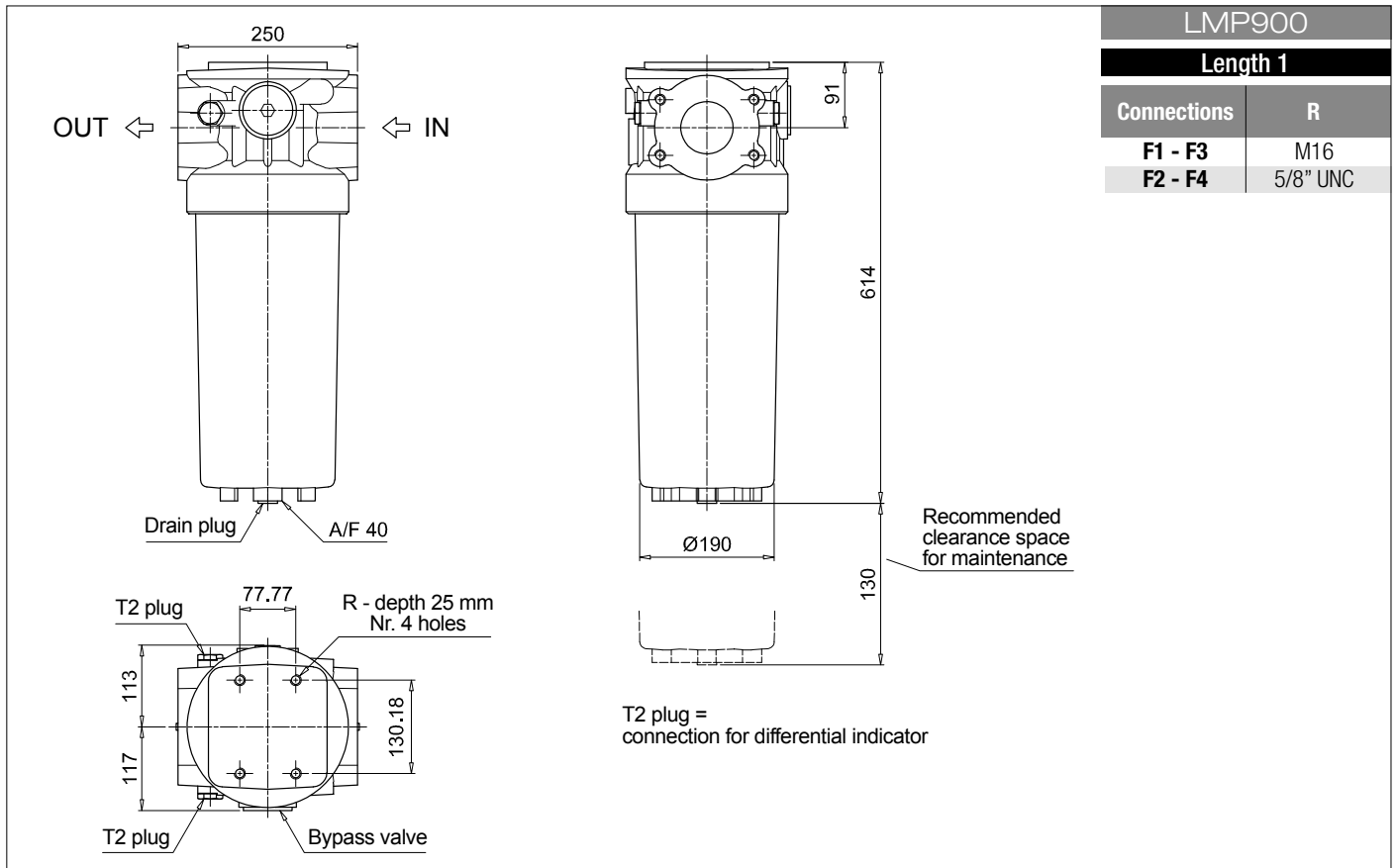
Series and size LMP900 LMP901	Configuration example: LMP901	2	B	A	F2	A10	N	P01
Length 1 2								
Bypass valve S Without bypass B 3.5 bar								
Seals and treatments A NBR V FPM								
Connections F1 3" SAE 3000 psi/M F2 3" SAE 3000 psi/UNC F3 4" SAE 3000 psi/M F4 4" SAE 3000 psi/UNC								
Filtration rating (filter media) A03 Inorganic microfiber 3 µm M25 Wire mesh 25 µm A06 Inorganic microfiber 6 µm M60 Wire mesh 60 µm A10 Inorganic microfiber 10 µm M90 Wire mesh 90 µm A16 Inorganic microfiber 16 µm A25 Inorganic microfiber 25 µm WA025 Water absorber inorganic microfiber 25 µm								
Element Δp N 20 bar	Execution P01 MP Filtri standard P02 Maintenance from the bottom of the housing Pxx Customized	Filter length 1 2						

FILTER ELEMENT

Element series and size CU900	Configuration example: CU900	A10	A	N	P01
Length 1 Nr. 1 filter element 2 Nr. 2 filter elements					
Filtration rating (filter media) A03 Inorganic microfiber 3 µm M25 Wire mesh 25 µm A06 Inorganic microfiber 6 µm M60 Wire mesh 60 µm A10 Inorganic microfiber 10 µm M90 Wire mesh 90 µm A16 Inorganic microfiber 16 µm A25 Inorganic microfiber 25 µm WA025 Water absorber inorganic microfiber 25 µm					
Seals A NBR V FPM					
Element Δp N 20 bar	Execution P01 MP Filtri standard Pxx Customized				

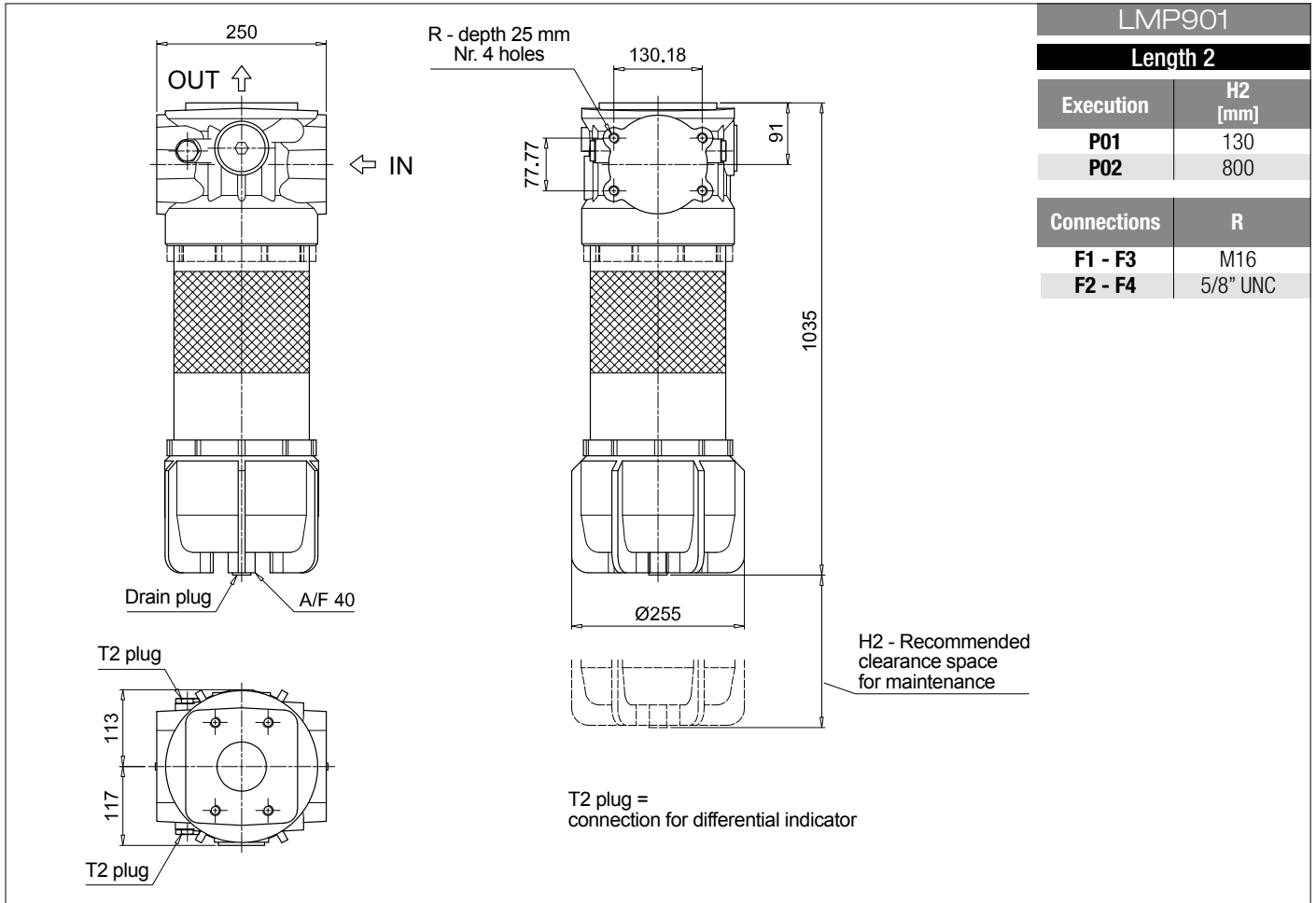
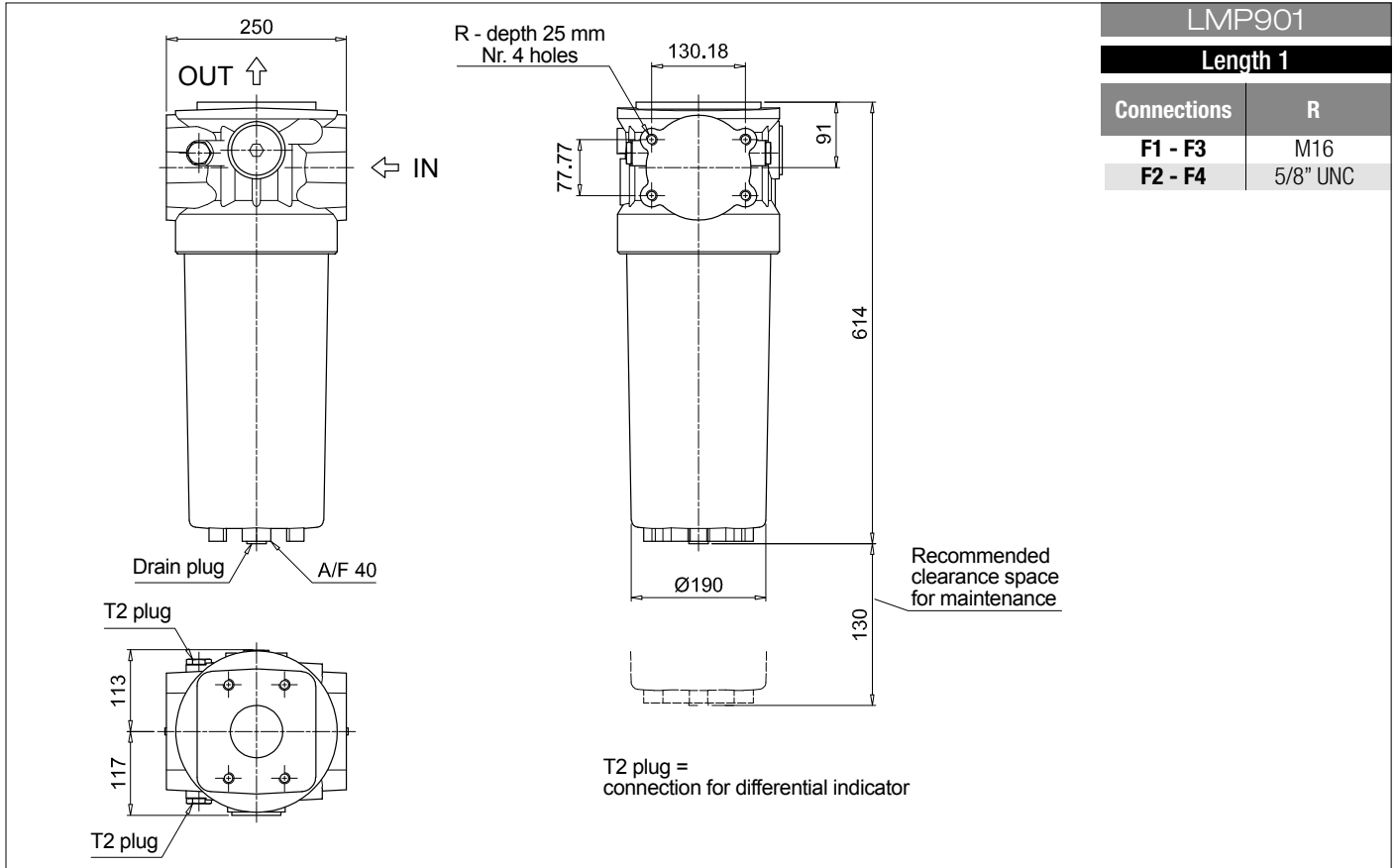
ACCESSORIES

Differential indicators	page				page
DEA Electrical differential indicator	445	DTA Electronic differential indicator			448
DEM Electrical differential indicator	445-446	DVA Visual differential indicator			448
DLA Electrical / visual differential indicator	446-447	DVM Visual differential indicator			448
DLE Electrical / visual differential indicator	447				
Additional features	Filter length			Filter length	page
T2 Plug	1 2			1 2	
	• •	CFA Retaining clamp		•	450



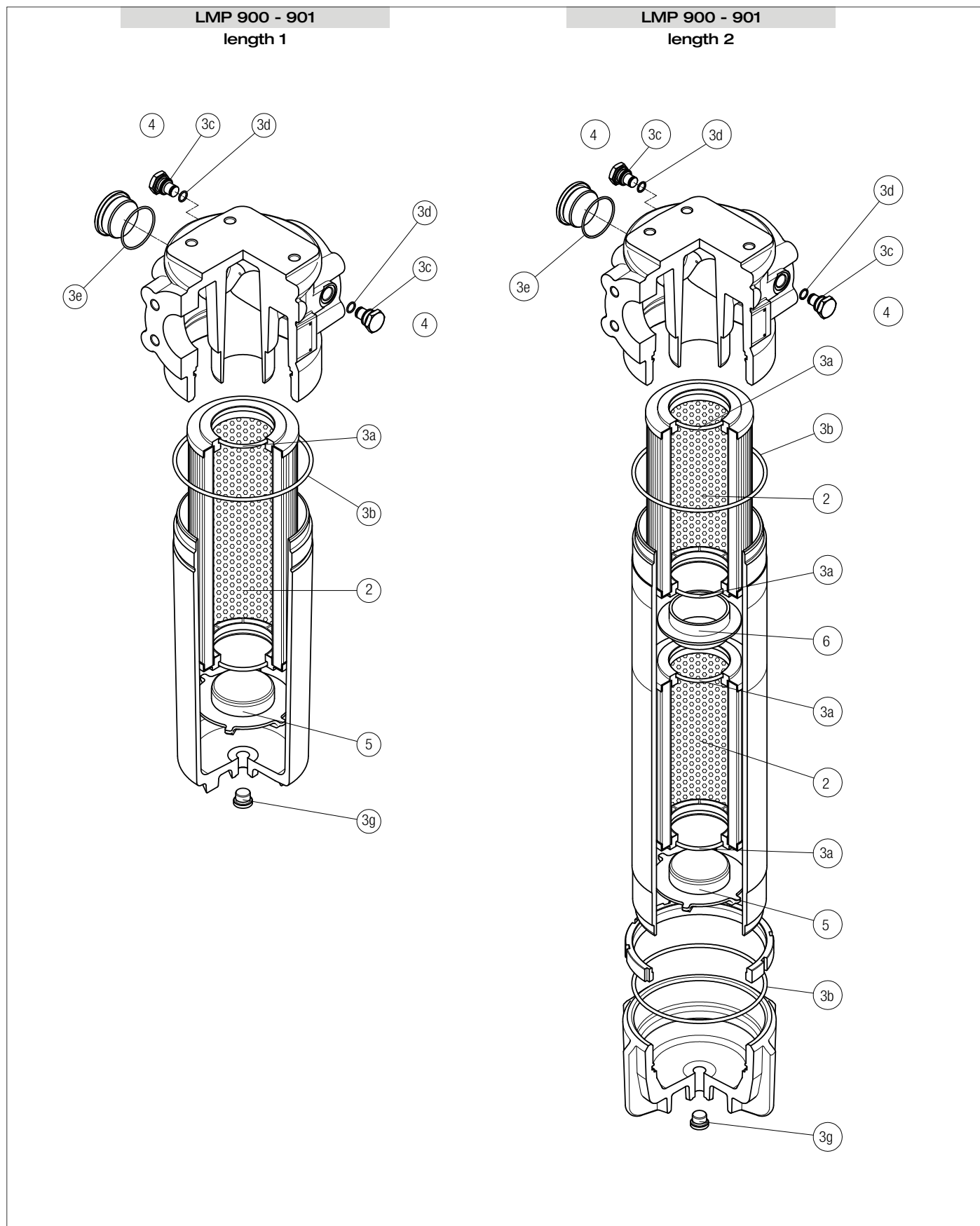
LMP 900-901 Filter element according to DIN 24550

Dimensions



SPARE PARTS LMP 900-901

Order number for spare parts



Item:	2		3 (3a ÷ 3g)		4		5		6	
Filter series	Filter element	Seal Kit code number	Indicator connection plug	Housing spigot	Coupling spigot					
	Q.ty	Q.ty	Q.ty	Q.ty	Q.ty	NBR	FPM	Q.ty	Q.ty	Q.ty
LMP 900-901 length 1	1 pc.	1 pc.	2 pcs.	1 pc.	1 pc.	T2H	T2V	1 pc.	-	-
LMP 900-901 length 2	2 pcs.	1 pc.	2 pcs.	1 pc.	1 pc.			1 pc.	1 pc.	1 pc.