

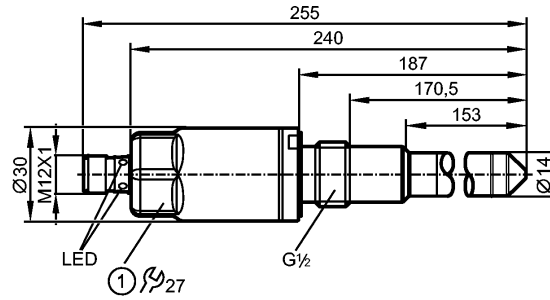


# LMT194

LMDCE-A12E-QPKG-2/US



Level sensors



1: tightening torque 20...25 Nm



## Product characteristics

Electronic level sensor

Quick disconnect

Process connection: G 1/2 A

General building authority approval: Z-65.13-540

gold-plated contacts

Probe length: 153 mm

Communication interface: IO-Link 1.1

2 switching outputs (2nd switching output for overflow protection to the German Federal Water Act WHG)

## Application

Application	liquids
Recommended media	water, water-based media, oils, oil-based media
Cannot be used for:	See the operating instructions, chapter "Function and features".

## Medium temperature oil

- Continuous	[°C]	-25...100 / (0...100)*
- Short time	[°C]	-25...150 (1 h) / (0...100)*

## Medium temperature water and hydrous media

- Continuous	[°C]	-25...85 / (0...85)*
- Short time	[°C]	-25...150 (1h) / (0...100)*

## Electrical data

Electrical design		DC PNP
Operating voltage	[V]	18...30 DC
Current consumption	[mA]	< 50
Protection class		III
Reverse polarity protection		yes

## Outputs

Output		2 switching outputs (2nd switching output for overflow protection to the German Federal Water Act WHG)
Output function		1 x NO / 1 x NC (WHG)
Current rating	[mA]	100
Voltage drop	[V]	< 2.5
Short-circuit protection		yes (non-latching)
Overload protection		yes

## Measuring / setting range

Factory setting		water-based media
-----------------	--	-------------------



# LMT194

LMDCE-A12E-QPKG-2/US



Level sensors

## Interfaces

IO-Link Device	
Transfer type	COM2 (38.4 kBaud)
IO-Link revision	1.1
SDCI standard	IEC 61131-9
IO-Link Device ID	0x0001C1
Profiles	Smart Sensor: Process Data Variable; Device Identification
SIO mode	yes
Required master port class	A
Process data analogue	1
Process data binary	2
Min. process cycle time [ms]	2.3

## Environment

Ambient temperature [°C]	-20...85 / (0...85)*, at max. 100 °C medium temperature
Ambient temperature [°C]	-20...60, at max. 150 °C medium temperature
Storage temperature [°C]	-40...85
Maximum vessel pressure [bar]	-1...40 / (-0.5...10)*
Protection	IP 68 / IP 69K

## Tests / approvals

Approval	WHG Allgemeine bauaufsichtliche Zulassung Überfallsicherung
EMC	DIN EN 61000-6-2 DIN EN 61000-6-4      open tanks
Shock resistance	DIN EN 60068-2-27      50 g (11 ms)
Vibration resistance	DIN EN 60068-2-6      20 g (10...2000 Hz)
MTTF [Years]	222.21
UL approval number	H001

## Mechanical data

Process connection	G ½ A
Materials (wetted parts)	PEEK; surface characteristics: Ra < 0.8; 316L stainless steel / 1.4404; (V4A / 316L); High-grade stainless steel 316Ti / 1.4571; FKM
Housing materials	316L stainless steel / 1.4404 (V4A / 316L); High-grade stainless steel 316Ti / 1.4571; PEEK; PEI; FKM
Weight [kg]	0.327

## Displays / operating elements

Display	Switching status LEDs yellow operating status LEDs green
---------	---

## Electrical connection

Connection	M12 connector; gold-plated contacts
------------	-------------------------------------

## Wiring



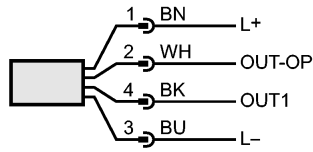
# LMT194

LMDCE-A12E-QPKG-2/US



Level sensors

Core colors  
 BK black  
 BN brown  
 BU blue  
 WH white



OUT1: switching output  
 OUT-OP Switching output for overflow protection according to the German Federal Water Act  
 Colours to DIN EN 60947-5-2

## Remarks

Remarks	*) Applications according to the German Federal Water Act (WHG)
Pack quantity [piece]	1