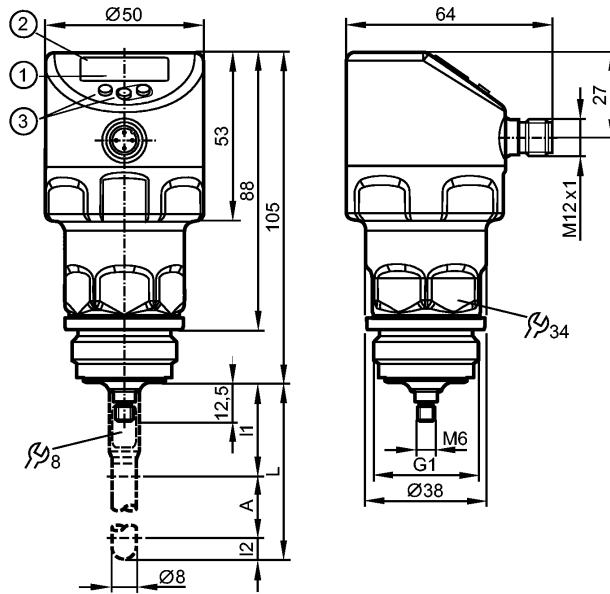


**LR2750**

LR0000B-EA01AKSKG/US

Level sensors



- 1: 4-digit alphanumeric display
- 2: LEDs (display unit / switching status)
- 3: Programming buttons
- A: Active zone
- I1 / I2: Inactive ranges



**IO-Link**

**Product characteristics**

Electronic level sensor
Quick disconnect
Process connection: G 1 A / Aseptoflex Vario
Guided wave radar
Communication interface: IO-Link 1.1
Probe length: L = 150...2000 mm
2 switching outputs or 1 switching output and 1 analogue output 4...20 mA
4-digit alphanumeric display

**Application**

Application	liquids
Recommended media	Water, water-based media
Dielectric constant medium	> 5
Medium temperature [°C]	-40...150

**Electrical data**

Electrical design	DC PNP/NPN
Operating voltage [V]	18...30 DC
Current consumption [mA]	< 50
Protection class	III
Reverse polarity protection	yes

**Outputs**

Output	2 switching outputs or 1 switching output and 1 analogue output 4...20 mA
--------	---

**LR2750**

LR0000B-EA01AKSKG/US

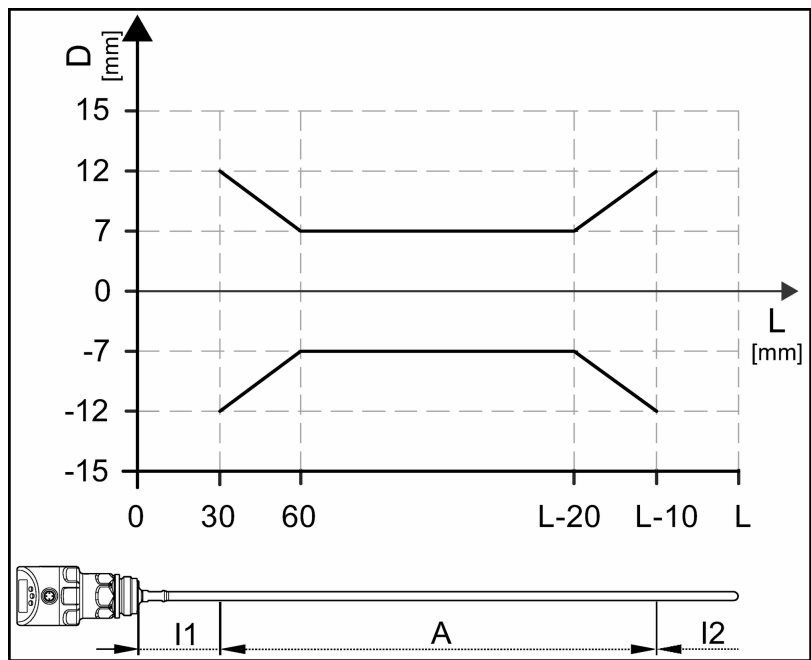
**Level sensors**

Output function	OUT1: normally open / closed programmable / IO-Link OUT2: normally open / closed programmable or analog (4...20 mA scaleable, invertable)	
Current rating [mA]	150; 200 (...60 °C)	
Voltage drop [V]	< 2.5	
Short-circuit protection	yes (non-latching)	
Overload protection	yes	
Analog output	4...20 mA / 20...4 mA	
Max. load [Ω]	max. 500	

Measuring / setting range		
Probe length L [mm]	150...2000	
Active range A [mm]	L-40	
Inactive range I1 / I2 [mm]	30 / 10	
Setting range		
Set point, SP [mm]	15...L-30	
Reset point, rP [mm]	10... L-35	
in steps of [mm]	1	
Hysteresis [mm]	≥ 5	

Accuracy / deviations		
Offset error [mm]	± 5	
Temperature coefficient	± 0.2 % per 10 K	
Resolution [mm]	1	
Measuring error	± 7 mm	
Zero signal [mA] / [V]	4.0 mA	
Vollsignal[mA] / [V]	20 mA	

Measurement deviation D at the limits of the active rod range



**LR2750**

LR0000B-EA01AKSKG/US

**Level sensors**

Reaction times	
Power-on delay time [s]	≤ 3
Sampling rate [1/s]	4
Interfaces	
IO-Link Device	
Transfer type	COM2 (38.4 kBaud)
IO-Link revision	1.1
SDCI standard	IEC 61131-9
IO-Link Device ID	0x0001DE
Profiles	Smart Sensor: Process Data Variable; Device Identification, Device Diagnosis
SIO mode	yes
Required master port class	A
Process data analogue	1
Process data binary	2
Min. process cycle time [ms]	2.3
Environment	
Ambient temperature [°C]	-40...80
Storage temperature [°C]	-40...100
Maximum vessel pressure [bar]	-1...40
Protection	IP 68 / IP 69K
Seitliche Belastbarkeit [Nm]	10
Tests / approvals	
EMC	DIN EN 61000-6-2 DIN EN 61000-6-3 : in a metal tank DIN EN 61000-6-4 : in a plastic tank
Shock resistance	DIN EN 60068-2-27 50 g (11 ms) / 20 g (6 ms) with reference rod 0.5 m
Vibration resistance	DIN EN 60068-2-6 20 g (10...2000 Hz) / 1 g (5...200 Hz) with reference rod 0.5 m
MTTF [Years]	150
Mechanical data	
Process connection	G 1 A / Aseptoflex Vario
Materials (wetted parts)	stainless steel (316L / 1.4404); PEEK, surface characteristics Ra: < 0.6
Housing materials	stainless steel (316L / 1.4404); PEI; PFA; PBT; FKM
Weight [kg]	0.367
Displays / operating elements	
Display	Display unit 3 x LED green Switching status 2 x LED yellow Level 4-digit alphanumeric display Programming 4-digit alphanumeric display

## LR2750

LR0000B-EA01AKSKG/US

Level sensors

### Electrical connection

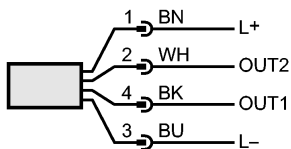
Connection

M12 connector (according to EN 61076-2-101); gold-plated contacts

#### Wiring

Core colors

BK black  
 BN brown  
 BU blue  
 WH white



OUT1: switching output or IO-Link  
 OUT2: switching output / 4...20 mA  
 Colours to DIN EN 60947-5-2

### Accessories

Accessories (optional)

Matching accessories online next to the Datasheet → Accessories

### Remarks

Pack quantity

[piece]

1