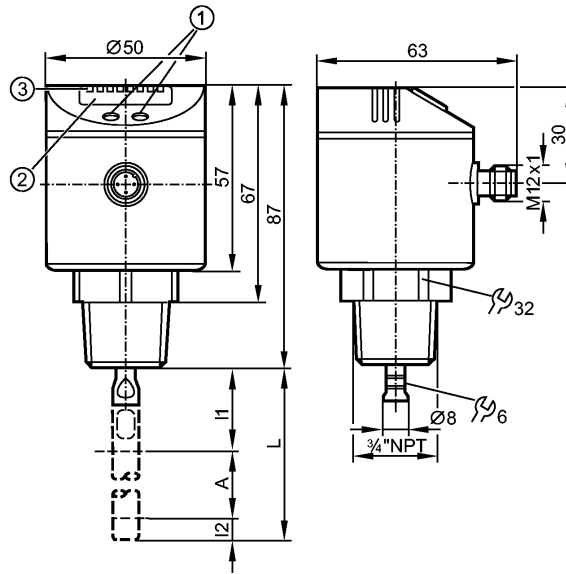


LR7300

LR0000B-BN34AQPKG/US

Level sensors



- 1: 4-digit alphanumeric display
- 2: LEDs (display unit / switching status)
- 3: Programming buttons
- A: Active zone
- I1 / I2: Inactive ranges



Product characteristics

Electronic level sensor
Quick disconnect
Process connection: 3/4" NPT
Guided wave radar
Freely rotatable housing 360°
Probe length: L = 100...1600 mm
2 switching outputs
4-digit alphanumeric display

Application

Application	Hydrous coolants, water, media similar to water
Cannot be used for:	oils, greases, granulates, bulk materials, acids, alkalis; hygienic and electroplating applications; heavily foaming media
Dielectric constant medium	≥ 20
Medium temperature [°C]	0...80 (90 < 1 h)
Maximum speed of the change of level [mm/s]	100

Electrical data

Electrical design	DC PNP
Operating voltage [V]	18...30 DC
Current consumption [mA]	< 80
Protection class	III
Reverse polarity protection	yes

Outputs

Output	2 switching outputs
Output function	2 x normally open / closed programmable

LR7300

LR0000B-BN34AQPKG/US

Level sensors

Current rating	[mA]	200
Voltage drop	[V]	< 2.5
Short-circuit protection		thermal, pulsed
Overload protection		yes (max. 10 s)

Measuring / setting range

Probe length L	[mm]	100...1600
Active range A	[mm]	L-40
Inactive range I1 / I2	[mm]	30 / 10
Setting range		
Set point, SP	[mm]	≥ 15 / ≤ L-30
Reset point, rP	[mm]	≥ 10 / ≤ L-35
in steps of	[mm]	5
Hysteresis	[mm]	≥ 5

Accuracy / deviations

Deviations (in mm)		
Switch point accuracy		± (15 + 0.5 % MEW) *)
Repeatability		± 5

Reaction times

Power-on delay time	[s]	≤ 3
---------------------	-----	-----

Interfaces

IO-Link Device		
Transfer type		COM2 (38.4 kBaud)
IO-Link revision		1.1
SDCI standard		IEC 61131-9 CDV
IO-Link Device ID		009 d / 00 00 09 h
Profiles		no profile
SIO mode		yes
Required master port class		A
Process data analogue		1
Process data binary		2
Min. process cycle time	[ms]	2.3

Environment

Ambient temperature	[°C]	0...60
Storage temperature	[°C]	-25...80
Maximum vessel pressure	[bar]	-1...16
Protection		IP 67

Tests / approvals

EMC		IEC 60947-1
Shock resistance	DIN IEC 68-2-27:	50 g (11 ms)
Vibration resistance	DIN IEC 68-2-6:	5 g (10...2000 Hz)
MTTF	[Years]	204.29

Mechanical data

Process connection		3/4" NPT
Materials (wetted parts)		stainless steel (303S22); probe connection: stainless steel 316L / 1.4435; PTFE; FPM (Viton)

LR7300

LR0000B-BN34AQPKG/US

Level sensors

Housing materials	stainless steel (304S15); FPM (Viton); PBT; PC; PEI; TPE / V; PTFE
-------------------	--

Weight [kg]	0.329
-------------	-------

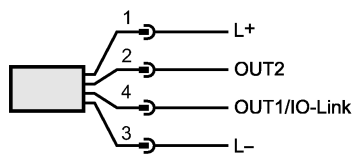
Displays / operating elements

Display	Display unit 3 x LED green Switching status 2 x LED yellow Level 4-digit alphanumeric display Programming 4-digit alphanumeric display
---------	---

Electrical connection

Connection	M12 connector (according to EN 61076-2-101); gold-plated contacts
------------	---

Wiring



Programming of the switching outputs:

Hno = hysteresis / NO

Hnc = hysteresis / NC

Fno = window / NO

Fnc = window / NC

Accessories

Accessories (optional)	Probe, part no. E43203...E43205 / E43207...E43210; Matching accessories online next to the Datasheet → Accessories
------------------------	---

Remarks

Remarks	*) MEW = final value of the measuring range in mm; MEW = L - 30 mm
---------	--

Pack quantity [piece]	1
-----------------------	---