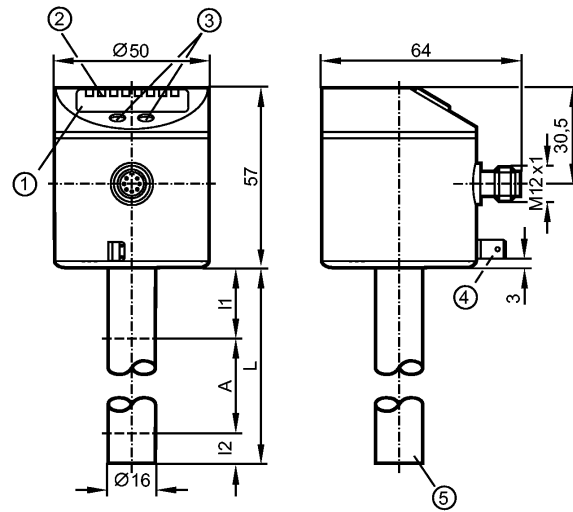


**LT8022**

LT0264B-B-00KSPKG/US

Level sensors

**Please note the wiring of the sensor and the sockets (see data sheet) as for 8-pole sockets the core colours are not standardised.**



- 1: 4-digit alphanumeric display
- 2: LEDs
- 3: Programming buttons
- 4: Housing connection (flat-pin connector 6.3 mm following DIN 46244)
- 5: Position of the temperature measuring element



**Product characteristics**

Electronic level and temperature sensor	
Quick disconnect	
Probe length: L = 264 mm	
2 outputs for level monitoring (OUT1, OUT2) 2 outputs for temperature monitoring (OUT3, OUT4)	
4-digit alphanumeric display	

**Application**

Application		oils
Recommended media		oils
Dielectric constant medium		> 2
<b>Medium temperature oil</b>		
- Continuous [°C]		0...70
- Short time [°C]		0...90
Maximum speed of the change of level [mm/s]		100

**Electrical data**

Electrical design		DC PNP
Operating voltage [V]		18...30 DC <sup>1)</sup>
Current consumption [mA]		< 60
Protection class		III
Reverse polarity protection		yes

**Outputs**

**LT8022**

LT0264B-B-00KSPKG/US

**Level sensors**

Output	2 outputs for level monitoring (OUT1, OUT2) 2 outputs for temperature monitoring (OUT3, OUT4)	
Output function	2 x normally open / closed programmable (level) 2 x normally open / closed programmable (temperature)	
Current rating [mA]	200	
Voltage drop [V]	< 2.5	
Short-circuit protection	thermal, pulsed	
Overload protection	yes	
<b>Measuring / setting range</b>		
Probe length L [mm]	264	
Active range A [mm]	195	
Inactive range I1 / I2 [mm]	53 / 15	
Setting range		
Set point, SP [mm]	25...190	
Reset point, rP [mm]	20...185	
in steps of [mm]	5	
Hysteresis [mm]	5	
Reference point OP [mm]	69 - 82 - 94 - 106 - 118 - 130 - 143 - 155 - 167 - 179 - 191 - 204	
Hysteresis OP [mm]	2	
Temperature monitoring		
Measuring range [°C]	-10...100 **)	
Set point, SP [°C]	0.5...90	
Reset point, rP [°C]	0.0...89.5	
in steps of [°C]	0.5	
Hysteresis [K]	0.5	
<b>Accuracy / deviations</b>		
Deviations (% of value of measuring range)		
Switch point accuracy	± 5	
Repeatability	± 2	
Resolution [mm]	5	
Temperature monitoring		
Accuracy [K]	± 1	
Resolution [K]	0.5	
Dynamic response (T09) [s]	90 (DIN EN 60751)	
<b>Reaction times</b>		
Power-on delay time [s]	3	
<b>Software / programming</b>		
Programming options	hysteresis / window function; N.O. / N.C; position of SP/rP; position of OP; OP adjustment; medium adjustment; offset; display unit	
<b>Environment</b>		
Ambient temperature [°C]	0...60	
Storage temperature [°C]	-25...80	
Maximum vessel pressure [bar]	0.5 (mounted with mounting accessories E43001 - E43007)	
Protection	IP 67	
<b>Tests / approvals</b>		

**LT8022**

LT0264B-B-00KSPKG/US

**Level sensors**

EMC	EN 61000-4-2 ESD:	4 kV CD / 8 kV AD
	EN 61000-4-3 HF radiated:	10 V/m
	EN 61000-4-4 Burst:	2 kV
	EN 61000-4-5 Surge:	0.5/1 kV
	EN 61000-4-6 HF conducted:	10 V
Shock resistance	DIN EN 60068-2-29:	15 g (11 ms)
Vibration resistance	DIN EN 60068-2-6	5 g (10...2000 Hz)
MTTF [Years]		195

**Mechanical data**

Materials (wetted parts)	PP (polypropylene)
Housing materials	FKM; NBR; PBT; PC; PP; TPE / V; stainless steel
Weight [kg]	0.316

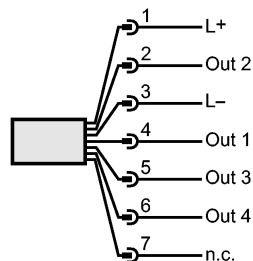
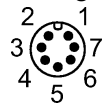
**Displays / operating elements**

Display	Display unit 4 x LED green (cm, inch, °C, °F) Switching status 4 x LED yellow Measured values 4-digit alphanumeric display Programming 4-digit alphanumeric display
---------	--

**Electrical connection**

Connection	M12 connector (according to EN 61076-2-101); gold-plated contacts
------------	---

**Wiring**



n.c. = not connected

**Remarks**

Remarks	**) permissible medium temperature: see line "medium temperature" ¹) cULus - Class 2 source required
---------	---

Pack quantity [piece]	1
-----------------------	---

**Please note the wiring of the sensor and the sockets (see data sheet) as for 8-pole sockets the core colours are not standardised.**