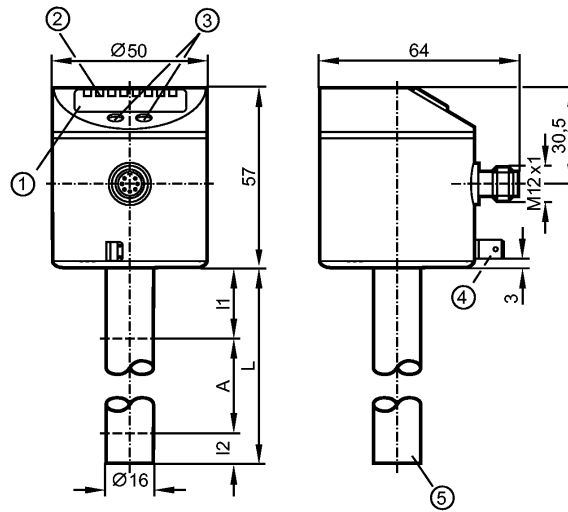


LT8024

LT0728B-B-00KSPKG/US

Level sensors

Please note the wiring of the sensor and the sockets (see data sheet) as for 8-pole sockets the core colours are not standardised.



- 1: 4-digit alphanumeric display
- 2: LEDs
- 3: Programming buttons
- 4: Housing connection (flat-pin connector 6.3 mm following DIN 46244)
- 5: Position of the temperature measuring element



Product characteristics

Electronic level and temperature sensor

Quick disconnect

Probe length: L = 728 mm

2 outputs for level monitoring (OUT1, OUT2)
2 outputs for temperature monitoring (OUT3, OUT4)

4-digit alphanumeric display

Application

Application	oils
Recommended media	oils
Dielectric constant medium	> 2
Medium temperature oil	
- Continuous [°C]	0...70
- Short time [°C]	0...90
Maximum speed of the change of level [mm/s]	300

Electrical data

Electrical design	DC PNP
Operating voltage [V]	18...30 DC ¹⁾
Current consumption [mA]	< 60
Protection class	III
Reverse polarity protection	yes

Outputs

LT8024

LT0728B-B-00KSPKG/US

Level sensors

Output	2 outputs for level monitoring (OUT1, OUT2) 2 outputs for temperature monitoring (OUT3, OUT4)	
Output function	2 x normally open / closed programmable (level) 2 x normally open / closed programmable (temperature)	
Current rating [mA]	200	
Voltage drop [V]	< 2.5	
Short-circuit protection	thermal, pulsed	
Overload protection	yes	
Measuring / setting range		
Probe length L [mm]	728	
Active range A [mm]	585	
Inactive range I1 / I2 [mm]	102 / 40	
Setting range		
Set point, SP [mm]	60...580	
Reset point, rP [mm]	50...570	
in steps of [mm]	10	
Hysteresis [mm]	5	
Reference point OP [mm]	200 - 240 - 280 - 310 - 350 - 390 - 420 - 460 - 500 - 530 - 570 - 610	
Hysteresis OP [mm]	4	
Temperature monitoring		
Measuring range [°C]	-10...100 **)	
Set point, SP [°C]	0.5...90	
Reset point, rP [°C]	0.0...89.5	
in steps of [°C]	0.5	
Hysteresis [K]	0.5	
Accuracy / deviations		
Deviations (% of value of measuring range)		
Switch point accuracy	± 5	
Repeatability	± 2	
Resolution [mm]	10	
Temperature monitoring		
Accuracy [K]	± 1	
Resolution [K]	0.5	
Dynamic response (T09) [s]	90 (DIN EN 60751)	
Reaction times		
Power-on delay time [s]	3	
Software / programming		
Programming options	hysteresis / window function; N.O. / N.C; position of SP/rP; position of OP; OP adjustment; medium adjustment; offset; display unit	
Environment		
Ambient temperature [°C]	0...60	
Storage temperature [°C]	-25...80	
Maximum vessel pressure [bar]	0.5 (mounted with mounting accessories E43001 - E43007)	
Protection	IP 67	
Tests / approvals		

LT8024

LT0728B-B-00KSPKG/US

Level sensors

EMC	EN 61000-4-2 ESD:	4 kV CD / 8 kV AD
	EN 61000-4-3 HF radiated:	10 V/m
	EN 61000-4-4 Burst:	2 kV
	EN 61000-4-5 Surge:	0.5/1 kV
	EN 61000-4-6 HF conducted:	10 V
Shock resistance	DIN EN 60068-2-29:	15 g (11 ms)
Vibration resistance	DIN EN 60068-2-6	5 g (10...2000 Hz)
MTTF	[Years]	195

Mechanical data

Materials (wetted parts)	PP (polypropylene)
Housing materials	FKM; NBR; PBT; PC; PP; TPE / V; stainless steel
Weight	[kg] 0.509

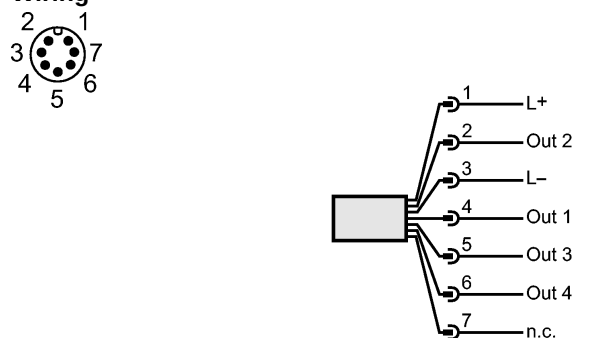
Displays / operating elements

Display	Display unit 4 x LED green (cm, inch, °C, °F) Switching status 4 x LED yellow Measured values 4-digit alphanumeric display Programming 4-digit alphanumeric display
---------	--

Electrical connection

Connection	M12 connector (according to EN 61076-2-101); gold-plated contacts
------------	---

Wiring



Remarks

Remarks	n.c. = not connected **) permissible medium temperature: see line "medium temperature" 1) cULus - Class 2 source required
---------	---

Pack quantity	[piece] 1
---------------	-----------

Please note the wiring of the sensor and the sockets (see data sheet) as for 8-pole sockets the core colours are not standardised.