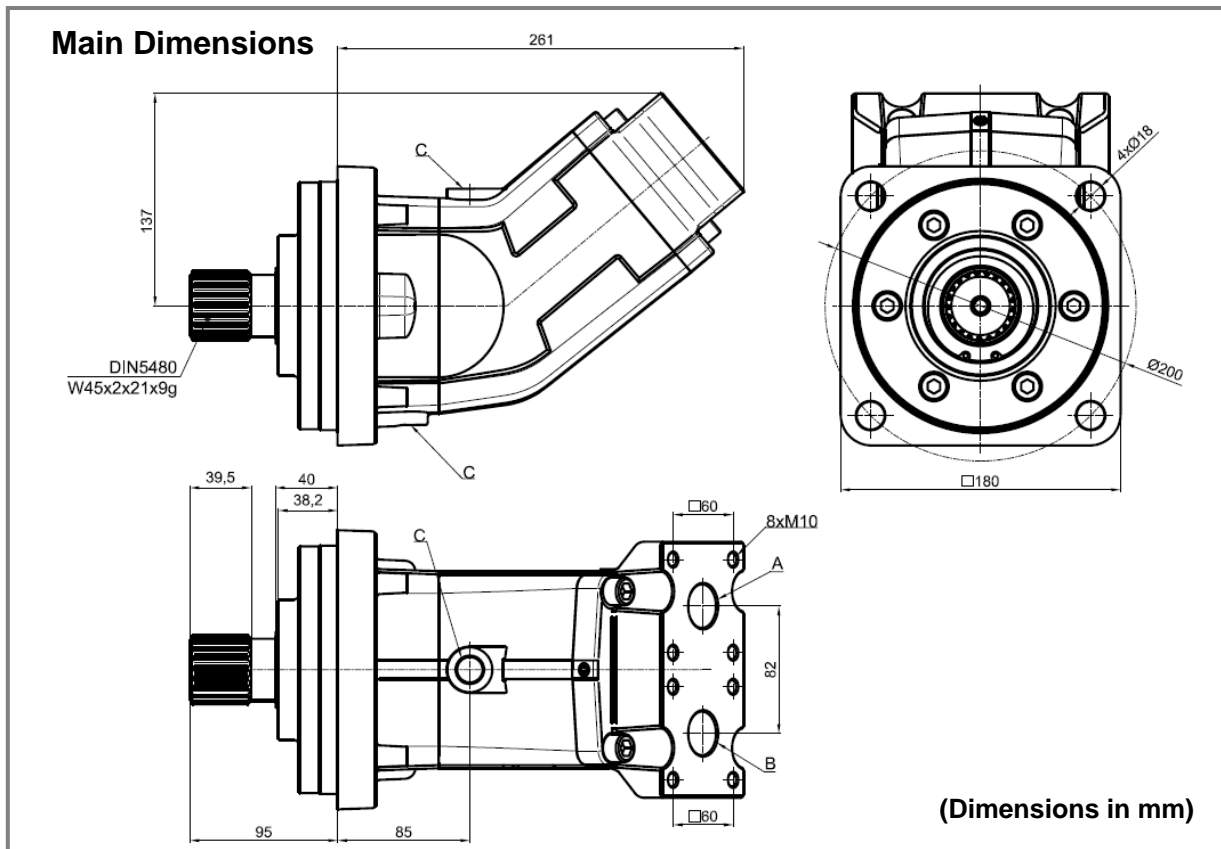




OII-HYDRAULIC BENT MOTOR AXIAL PISTONS

Ref.
MBI P IA1



Main Data

Motors MBI	80P7IA1	110P7IA1
Cylinder capacity (cm³/rot.)	80	108
Rotation (rpm) max. intermittent	3000	2800
max. continuous	2400	2250
Pressure (bar) max. intermittent	400	400
max. continuous	350	350
Max torque – theoretical value (Nm)	505	685
Weight (kg)	14	14
Pistons quantity	7	7
A-Oil port (mm)	ø28	ø28
B-Oil port (mm)	ø28	ø28
C-Drain hole	M22x1.5	M22x1.5

How to order:

Example: Motor 80cm³/rot.; pressures 400/350 bar; rotation 3000/2400; ref. MBI P IA1 → MBI80P7IA1

Important notes:

-To install one of these motors, please consult and respect the instruction “BI motors recommendations before start-up”.

ABER is constantly engaged in improving its products and, therefore, reserves itself the right to modify without any further notice the characteristics shown



ABER - Embraiagens e Comandos Hidráulicos - A. B. LDA

Rua Francisco de Almeida, N° 30 – Vila Nova da Telha – 4470 MAIA - Portugal

Telephone: +351.22.9438070 Fax: +351.22.9420823 e-mail: aber@aber.pt <http://www.aber.pt>