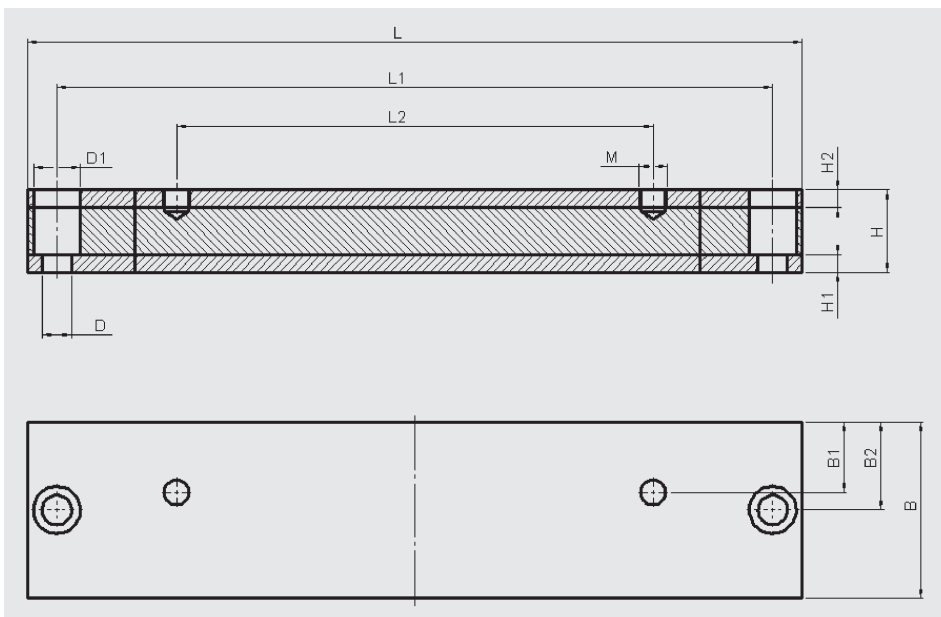


## Damping Rails for Electric Motors Mounting-Type IMB35



### FEATURES

- Horizontal base mounting (not overhead mounted)
- Machined ready for IMB 35 motors
- Noise reduction due to decoupling
- Resistant to mineral oil due to NBR rubber compound, shore A60 $\pm$ 5
- Special lengths and models are possible on request



Damping rails	For type	Part no.	L	L1	L2	H	H1	H2	B	B1	B2	D	D1	M
MDS 080	80	3134999	176	146	100	40	8	12	50	22	25	14	20	M8
MDS 090S	90S	721987	196	156	100	40	8	12	50	22	25	14	20	M8
MDS 090L	90L	721988	240	205	125	40	8	12	50	24	25	14	20	M8
MDS 100L	100L	721989	240	205	140	40	8	12	50	24	25	14	20	M10
MDS 112M	112M	3065818	240	205	140	40	8	12	50	20	25	14	20	M10
MDS 132S	132S	721990	285	245	140	45	8	12	50	20	25	14	20	M10
MDS 132M	132M	721991	285	245	178	45	8	12	50	20	25	14	20	M10
MDS 160M	160M	721992	340	300	210	60	15	15	70	28	35	18	26	M12
MDS 160L	160L	3128252	416	370	254	60	15	15	70	28	35	18	26	M12
MDS 180M	180M	3234395	416	370	241	60	15	15	70	35	35	18	26	M12
MDS 180L	180L	721995	446	400	279	60	15	15	70	35	35	18	26	M12
MDS 200L	200L	724279	496	430	305	60	15	15	70	35	35	22	32	M16
MDS 225S	225S	3042916	496	430	286	60	15	15	70	35	35	22	32	M16
MDS 225M	225M	723832	496	445	311	60	15	15	70	35	35	22	32	M16
MDS 250M	250M	722801	496	445	349	60	15	15	100	50	50	25	40	M20
MDS 280S	280S	3042928	580	530	368	60	15	15	100	50	50	25	40	M20
MDS 280M	280M	3042929	580	530	419	60	15	15	100	50	50	25	40	M20
MDS 315S	315S	3026755	660	610	406	70	15	15	150	60	75	25	40	M24
MDS 315M	315M	3026452	660	610	457	70	15	15	150	60	75	25	40	M24
MDS 315L	315L	3065559	720	670	508	70	15	15	150	60	75	25	40	M24