

MPH series

Maximum working pressure up to 1 MPa (10 bar) - Flow rate up to 3000 l/min



Return filter

Maximum working pressure up to 1 MPa (10 bar)

Flow rate up to 3000 l/min

MPH is a range of return filters for protection of the reservoir against the system contamination.

They are directly fixed to the reservoir, in immersed or semi-immersed position.

The use of the diffuser is recommended, to place the filter output always immersed into the fluid to avoid aeration or foam generation into the reservoir.

The filtration from inside to outside allows a cleaner filter element replacement, the dirty remains into the filter element.

Available features:

- Female threaded connections up to 1 1/2" and flanged connections up to 4", for a maximum flow rate of 3000 l/min
- Multiple connections, to connect several return lines or drains
- Fine filtration rating, to get a good cleanliness level into the reservoir
- Bypass valve, to relieve excessive pressure drop across the filter media
- Magnetic column, to hold the ferrous particles
- 2, 3, 4 or 8 fixing holes for installation, to meet any reservoir surface flatness and roughness
- Flat seal, to meet any reservoir surface flatness and roughness
- Oil dipstick, to easily check the level of the fluid into the reservoir (separate item)
- Diffuser, to reduce the risk of aeration, foaming and noise
- Filler plug, to fill cleaned fluid into the tank without an additional plug
- Integrated breather filter, to clean the air that moves into the reservoir as result of the oil level fluctuation (MPH110/114)
- Integrated breather filter with pressurization valve, to clean the air that moves into the reservoir as result of the oil level fluctuation and to guarantee the pressurization into the reservoir (MPH110/114)
- Visual, electrical and electronic clogging indicators

Common applications:

Heavy duty industrial equipment

Filter housing materials

- Head
 - Aluminium: MPH 110-114-116-120-250
 - Anodized Aluminium: MPH 630-850
 - Painted Aluminium: MPH 660

- Cover
 - Nylon: MPH 110-114-116-120
 - Aluminium: MPH 250
 - Anodized Aluminium: MPH 630
 - Painted Aluminium: MPH 660
 - Steel: MPH 850

- Insert assembly
 - Nylon: MPH 110-114-116-120
 - Aluminium: MPH 250-630-660-850

- Diffuser: Tinned Steel

- Valve: Phosphatized Steel

Bypass valve

- Opening pressure 175 kPa (1.75 bar) ±10%
- Opening pressure 250 kPa (2.5 bar) ±10%, except for MPH 850

Δp element type

- Microfibre filter elements - series MR: 10 bar
- Fluid flow through the filter element from IN to OUT

Seals

- Standard NBR series A
- Optional FPM series V

Temperature

From -25 °C to +110 °C

Note

MPH filters are provided for vertical mounting



Weights [kg] and volumes [dm³]

Filter series	Weights [kg]					Volumes [dm ³]									
	Length	1	2	3	4	5	Length	1	2	3	4	5			
MPH 110	1.60	1.70	1.80	2.20	2.60	1.60	1.70	1.80	2.20	2.60	1.60	1.70	1.80	2.20	2.60
MPH 114	1.60	1.70	1.80	2.20	2.60	1.60	1.70	1.80	2.20	2.60	1.60	1.70	1.80	2.20	2.60
MPH 116	1.60	1.70	1.80	2.20	2.60	1.60	1.70	1.80	2.20	2.60	1.60	1.70	1.80	2.20	2.60
MPH 120	1.60	1.70	1.80	2.20	2.60	1.60	1.70	1.80	2.20	2.60	1.60	1.70	1.80	2.20	2.60
MPH 250	3.60	3.90	4.20	5.60	-	4.40	4.40	5.40	8.00	-	3.60	3.90	4.20	5.60	-
MPH 630	6.50	7.00	7.40	8.50	10.50	7.30	9.00	11.00	13.00	19.20	6.50	7.00	7.40	8.50	10.50
MPH 660	-	-	-	11.50	14.00	-	-	-	14.60	21.00	-	-	-	14.60	21.00
MPH 850	32.00	35.00	38.00	42.00	-	13.00	16.50	21.00	25.00	-	32.00	35.00	38.00	42.00	-

Filter series	Length	A03	A06	A10	A16	A25	M25 M60 M90	P10	P25
MPH 110-114 116-120	1	26	29	72	79	107	282	164	190
	2	43	46	112	114	161	318	164	190
	3	64	72	132	156	178	324	219	251
	4	90	99	184	198	216	324	266	302
	5	117	128	201	219	244	324	282	318
MPH 250	1	93	102	210	251	315	1093	339	383
	2	124	151	327	412	421	1122	460	514
	3	189	221	418	445	500	1137	544	616
	4	261	304	592	670	766	1166	832	923
MPH 630	1	160	200	369	423	518	1894	565	632
	2	240	257	571	611	1045	1929	1137	1285
	3	330	374	745	788	1308	1938	1416	1577
	4	374	403	887	1010	1348	1956	1448	1612
	5	625	698	1210	1257	1723	2121	1839	1929
MPH 660	4	370	399	903	1042	1460	2376	1596	1830
	5	624	699	1282	1343	1997	2663	2182	2331
MPH 850	1	775	1041	1246	1568	2242	3311	2371	2625
	2	1176	1522	1682	1747	2449	3378	2684	2886
	3	1490	1914	1995	2014	3035	3405	3144	3220
	4	1668	2088	2305	2363	3169	3517	3272	3378

Maximum flow rate for a complete return filter with a pressure drop $\Delta p = 0.5$ bar.

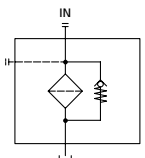
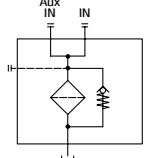
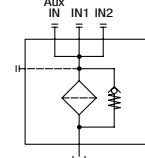
The reference fluid has a kinematic viscosity of 30 mm²/s (cSt) and a density of 0.86 kg/dm³.

For different pressure drop or fluid viscosity we recommend to use our selection software available on www.mpfiltri.com.

You can also calculate the right size using the formulas present on the FILTER SIZING paragraph at the beginning of the full catalogue or at the beginning of the filter family brochure. Please, contact our Sales Department for further additional information.

Hydraulic symbols

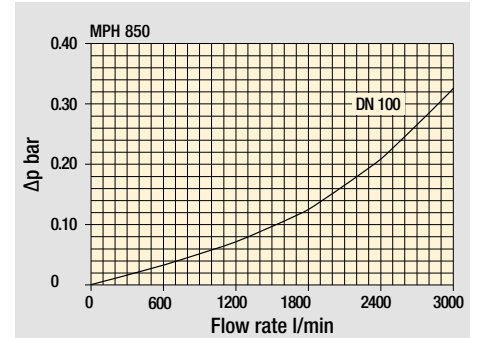
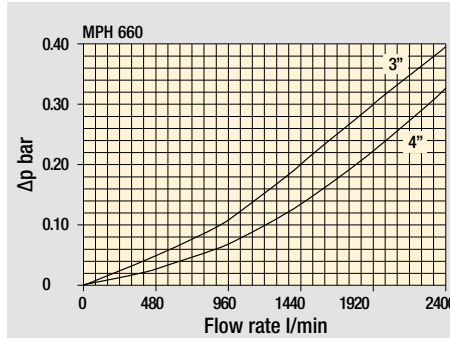
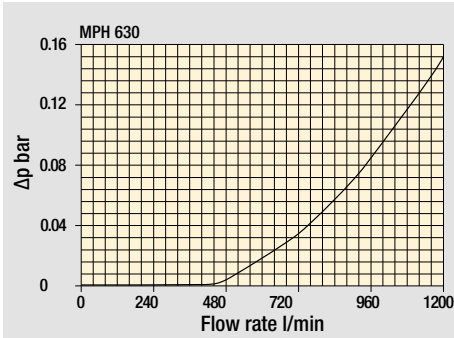
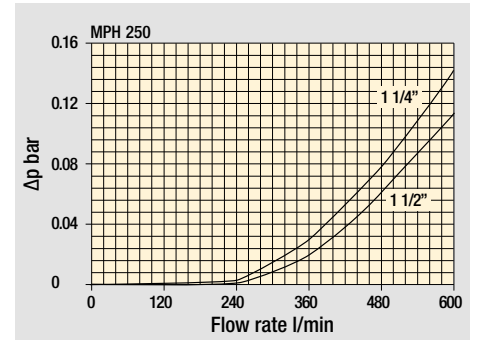
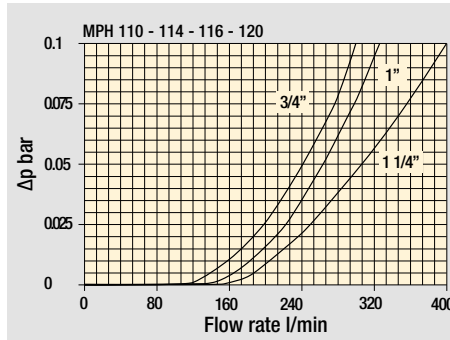
Filter series	Style 1 connection	Style 2 connections	Style 3 connections
MPH 110		•	
MPH 114	•		
MPH 116	•		
MPH 120			•
MPH 250	•	•	
MPH 630	•	•	
MPH 660	•		
MPH 850		•	

		
---	---	---

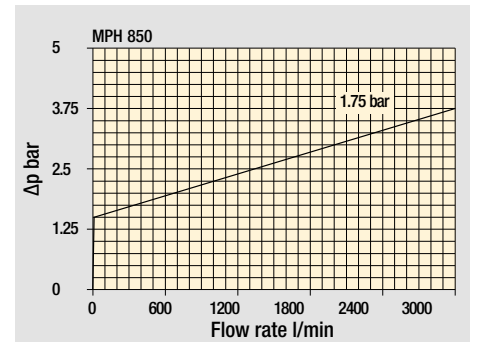
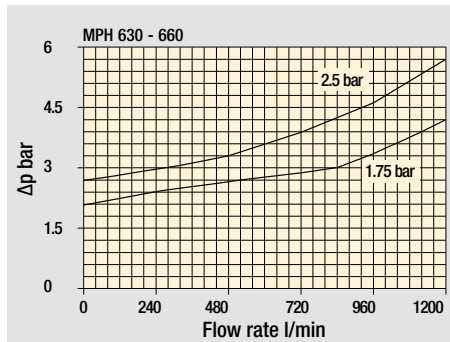
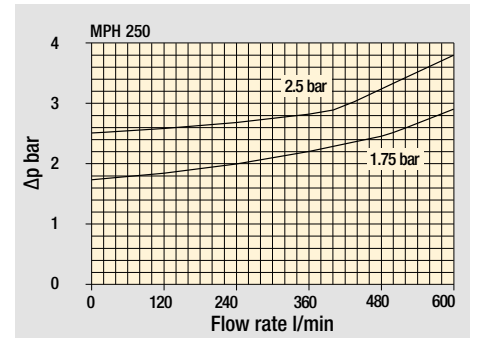
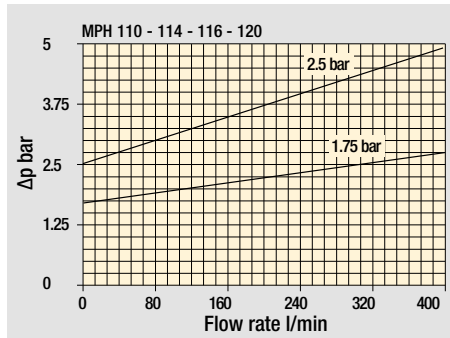
MPH GENERAL INFORMATION

Pressure drop

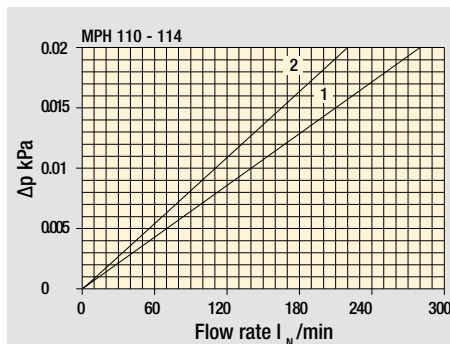
Filter housings Δp pressure drop



Bypass valve pressure drop



Air breather pressure drop



- 1 C With air breather 10 μ m
- 2 D With anti-splash and SAP50 10 μ m

The curves are plotted using mineral oil with density of 0.86 kg/dm³ in compliance with ISO 3968. Δp varies proportionally with density.

Designation & Ordering code

COMPLETE FILTER

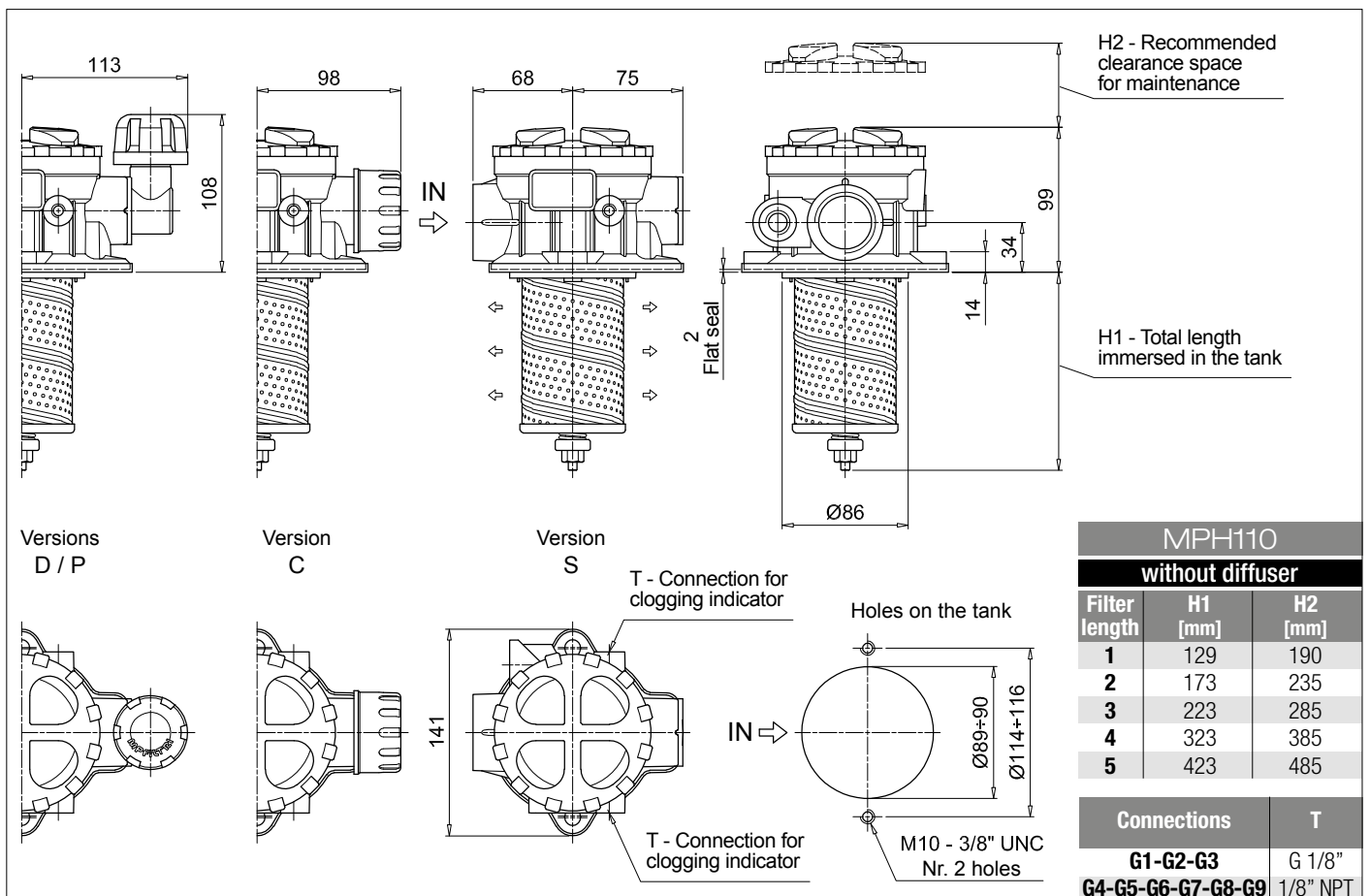
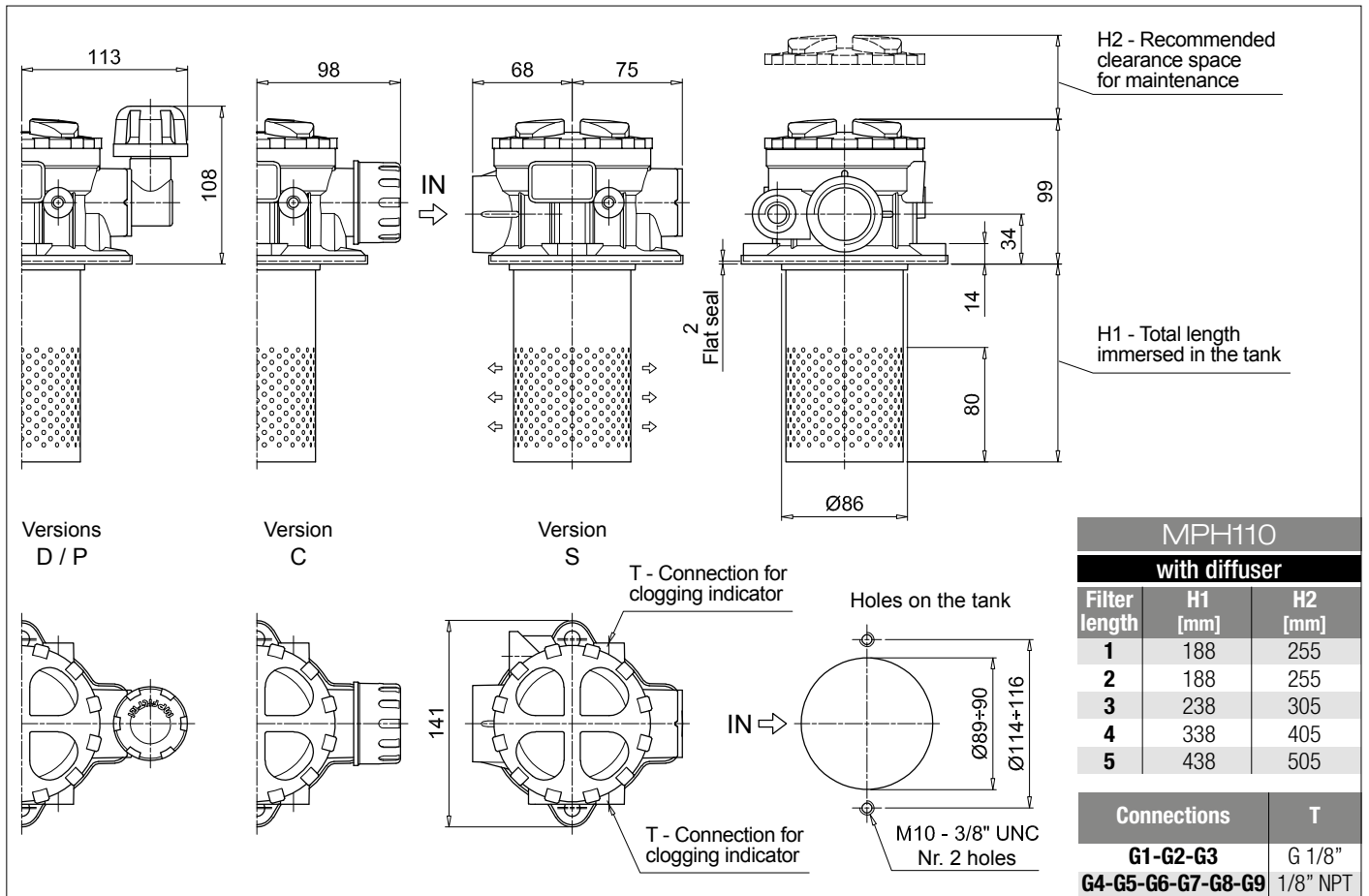
Series and size		Configuration example: MPH110 1 S D S A G1 1 A10 P01									
MPH110											
Length											
1 2 3 4 5											
Bypass valve											
S Without bypass		C 1.75 bar		E 2.5 bar							
Diffuser and magnetic column											
D With diffuser, with magnetic column											
F With diffuser, without magnetic column											
O Without diffuser, with magnetic column											
E Without diffuser, without magnetic column											
Air breather											
S Without air breather											
C With air breather 10 µm											
D With anti-splash and air breather SAP050 10 µm											
P With anti-splash and air breather SAP050 10 µm pressurization 0.5 bar											
Seals and treatments		Filtration rating									
		Axx	Mxx	Pxx							
A NBR		•	•	•							
V FPM		•	•	•							
W NBR head anodized		•	•		filter element compatible with fluids HFA-HFB-HFC						
Z FPM head anodized		•	•								
Main Connections		Aux size 1		Aux size 2		Main Connections		Aux size 1		Aux size 2	
G1 G 3/4"		G 3/8"		G 1/2"		G7 SAE 12 - 1 1/16" - 12 UN		SAE 6 - 9/16" - 18 UNF		SAE 8 - 3/4" - 16 UNF	
G2 G 1"						G8 SAE 16 - 1 5/16" - 12 UN					
G3 G 1 1/4"						G9 SAE 20 - 1 5/8" - 12 UN					
G4 3/4" NPT											
G5 1" NPT						3/8" NPT		1/2" NPT			
G6 1 1/4" NPT											
Aux connection - see previous table											
0 Not machined		1 Aux size 1		2 Aux size 2							
Filtration rating (filter media)											
A03 Inorganic microfiber 3 µm		M25 Wire mesh 25 µm									
A06 Inorganic microfiber 6 µm		M60 Wire mesh 60 µm									
A10 Inorganic microfiber 10 µm		M90 Wire mesh 90 µm									
A16 Inorganic microfiber 16 µm		P10 Resin impregnated paper 10 µm									
A25 Inorganic microfiber 25 µm		P25 Resin impregnated paper 25 µm									
										Execution	
										P01 MP Filtri standard	
										Pxx Customized	

FILTER ELEMENT

Element series and size		Configuration example: MR100 1 A10 A P01				
MR100						
Element length						
1 2 3 4 5						
Filtration rating (filter media)						
A03 Inorganic microfiber 3 µm		M25 Wire mesh 25 µm				
A06 Inorganic microfiber 6 µm		M60 Wire mesh 60 µm				
A10 Inorganic microfiber 10 µm		M90 Wire mesh 90 µm				
A16 Inorganic microfiber 16 µm		P10 Resin impregnated paper 10 µm				
A25 Inorganic microfiber 25 µm		P25 Resin impregnated paper 25 µm				
				Seals		Execution
				A NBR		P01 MP Filtri standard
				V FPM		Pxx Customized

ACCESSORIES

Indicators		page			page
BVA	Axial pressure gauge	240	BEA	Electrical pressure indicator	239
BVR	Radial pressure gauge	240	BEM	Electrical pressure indicator	239
BVP	Visual pressure indicator with automatic reset	241	BLA	Electrical / visual pressure indicator	239-240
BVQ	Visual pressure indicator with manual reset	241			
Additional features		page			
DPT	Dipstick	249			



Designation & Ordering code

COMPLETE FILTER

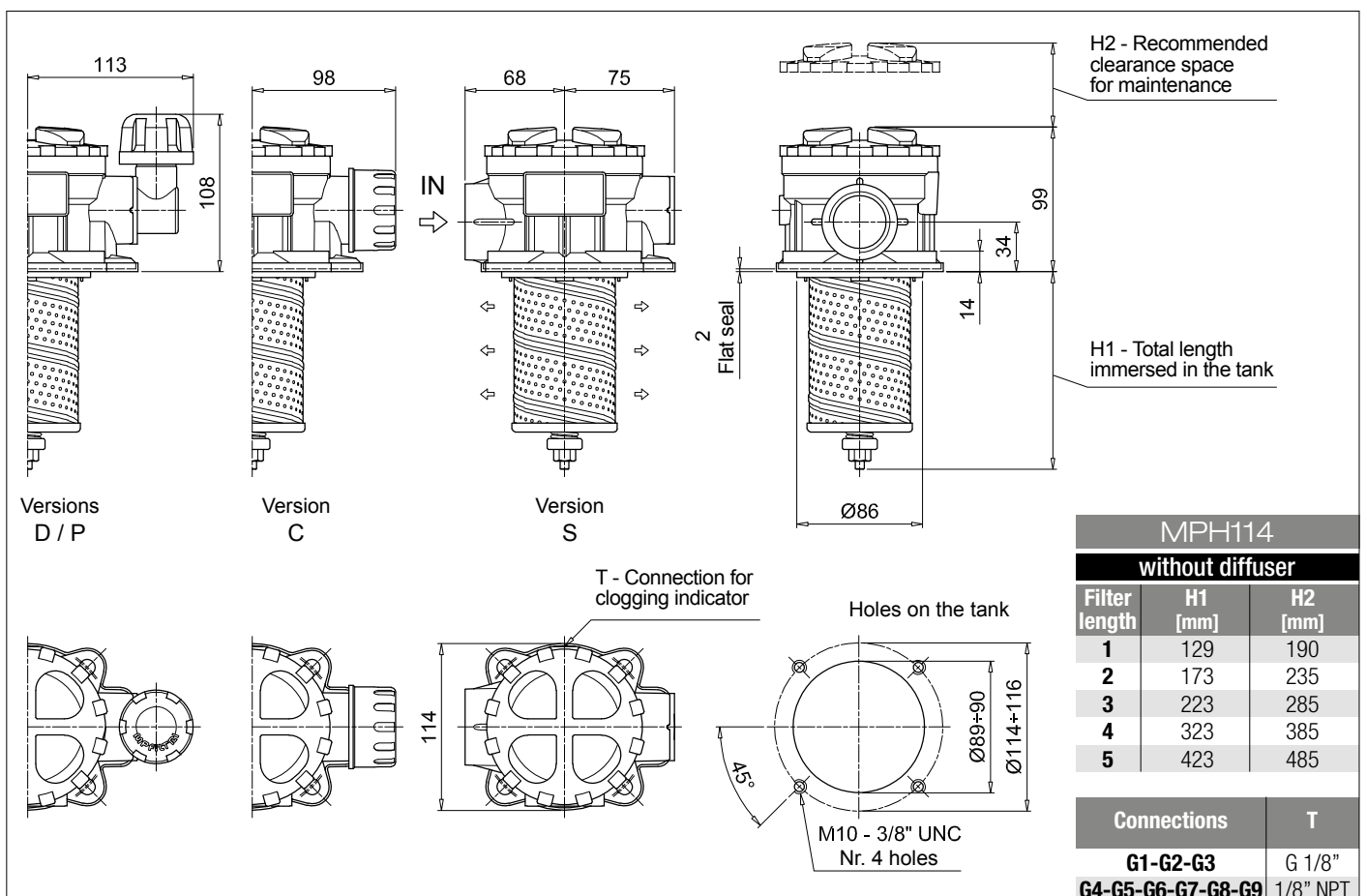
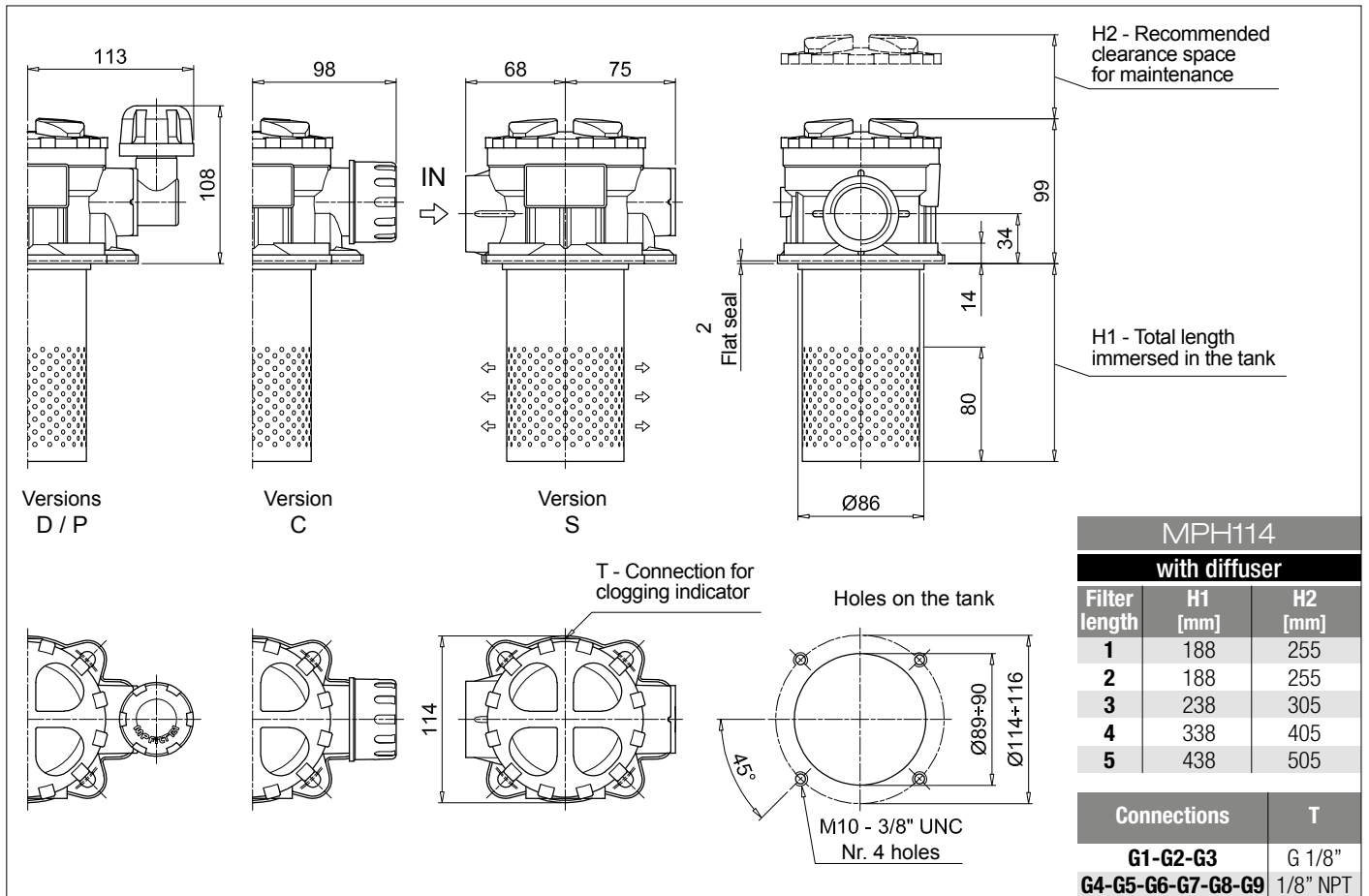
Series and size MPH114	Configuration example: MPH114 3 C E C Z G6 M60 P01									
Length 1 2 3 4 5										
Bypass valve S Without bypass C 1.75 bar E 2.5 bar										
Diffuser and magnetic column D With diffuser, with magnetic column F With diffuser, without magnetic column O Without diffuser, with magnetic column E Without diffuser, without magnetic column										
Air breather S Without air breather C With air breather 10 µm D With anti-splash and air breather SAP050 10 µm P With anti-splash and air breather SAP050 10 µm pressurization 0.5 bar										
Seals and treatments	Filtration rating									
A NBR	Axx	Mxx	Pxx							
V FPM	•	•	•							
W NBR head anodized	•	•		filter element compatible with fluids HFA-HFB-HFC						
Z FPM head anodized	•	•								
Connections										
G1 G 3/4"	G6 1 1/4" NPT									
G2 G 1"	G7 SAE 12 - 1 1/16" - 12 UN									
G3 G 1 1/4"	G8 SAE 16 - 1 5/16" - 12 UN									
G4 3/4" NPT	G9 SAE 20 - 1 5/8" - 12 UN									
G5 1" NPT										
Filtration rating (filter media)										
A03 Inorganic microfiber 3 µm	M25 Wire mesh 25 µm									
A06 Inorganic microfiber 6 µm	M60 Wire mesh 60 µm									
A10 Inorganic microfiber 10 µm	M90 Wire mesh 90 µm									
A16 Inorganic microfiber 16 µm	P10 Resin impregnated paper 10 µm									
A25 Inorganic microfiber 25 µm	P25 Resin impregnated paper 25 µm									
										Execution
										P01 MP Filtri standard
										Pxx Customized

FILTER ELEMENT

Element series and size MR100	Configuration example: MR100 3 M60 V P01				
Element length 1 2 3 4 5					
Filtration rating (filter media)					
A03 Inorganic microfiber 3 µm	M25 Wire mesh 25 µm				
A06 Inorganic microfiber 6 µm	M60 Wire mesh 60 µm				
A10 Inorganic microfiber 10 µm	M90 Wire mesh 90 µm				
A16 Inorganic microfiber 16 µm	P10 Resin impregnated paper 10 µm				
A25 Inorganic microfiber 25 µm	P25 Resin impregnated paper 25 µm				
		Seals	Execution		
		A NBR	P01 MP Filtri standard		
		V FPM	Pxx Customized		

ACCESSORIES

Indicators	page		page
BVA Axial pressure gauge	240	BEA Electrical pressure indicator	239
BVR Radial pressure gauge	240	BEM Electrical pressure indicator	239
BVP Visual pressure indicator with automatic reset	241	BLA Electrical / visual pressure indicator	239-240
BVQ Visual pressure indicator with manual reset	241		
Additional features	page		
DPT Dipstick	249		



Designation & Ordering code

COMPLETE FILTER

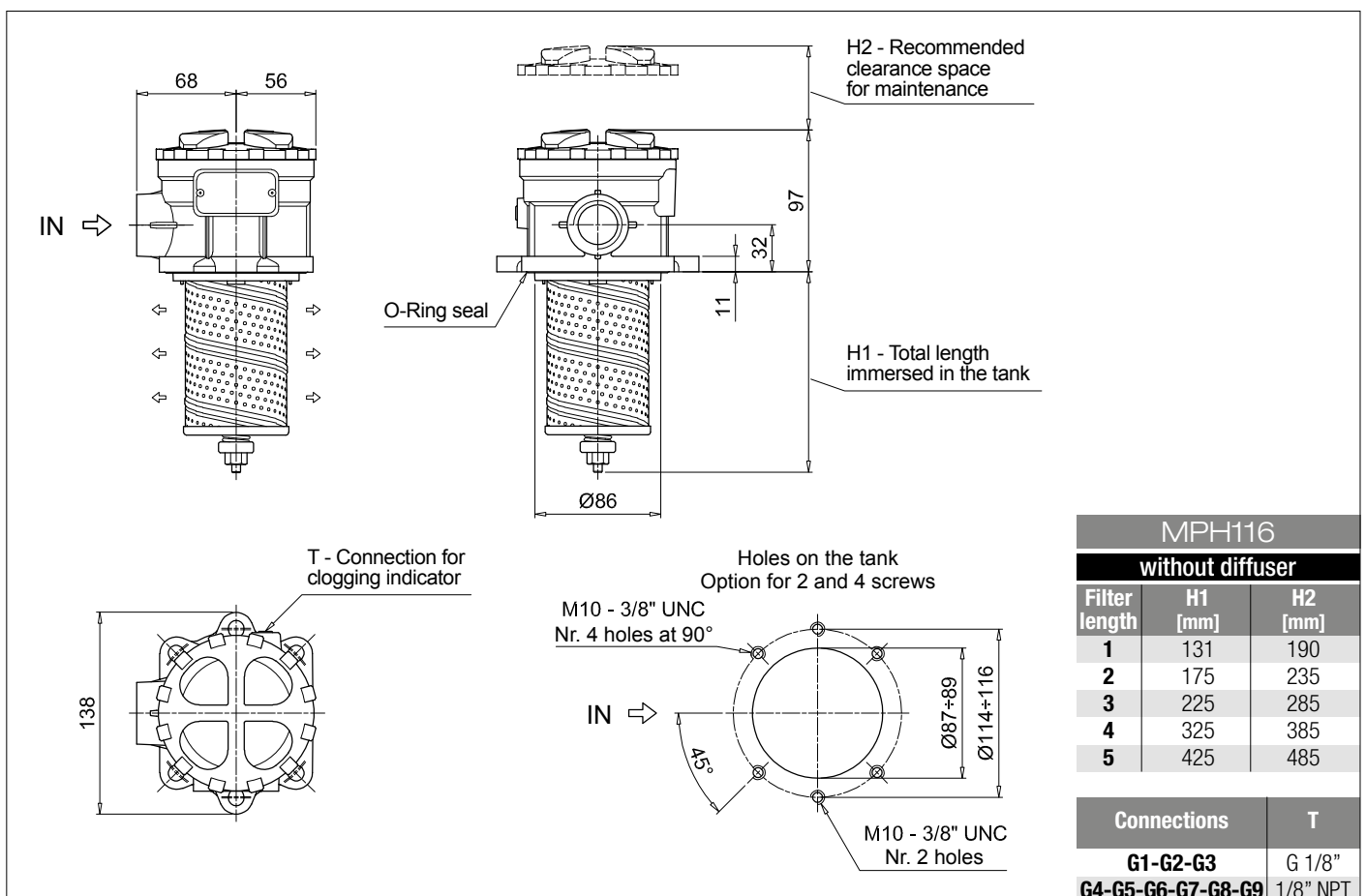
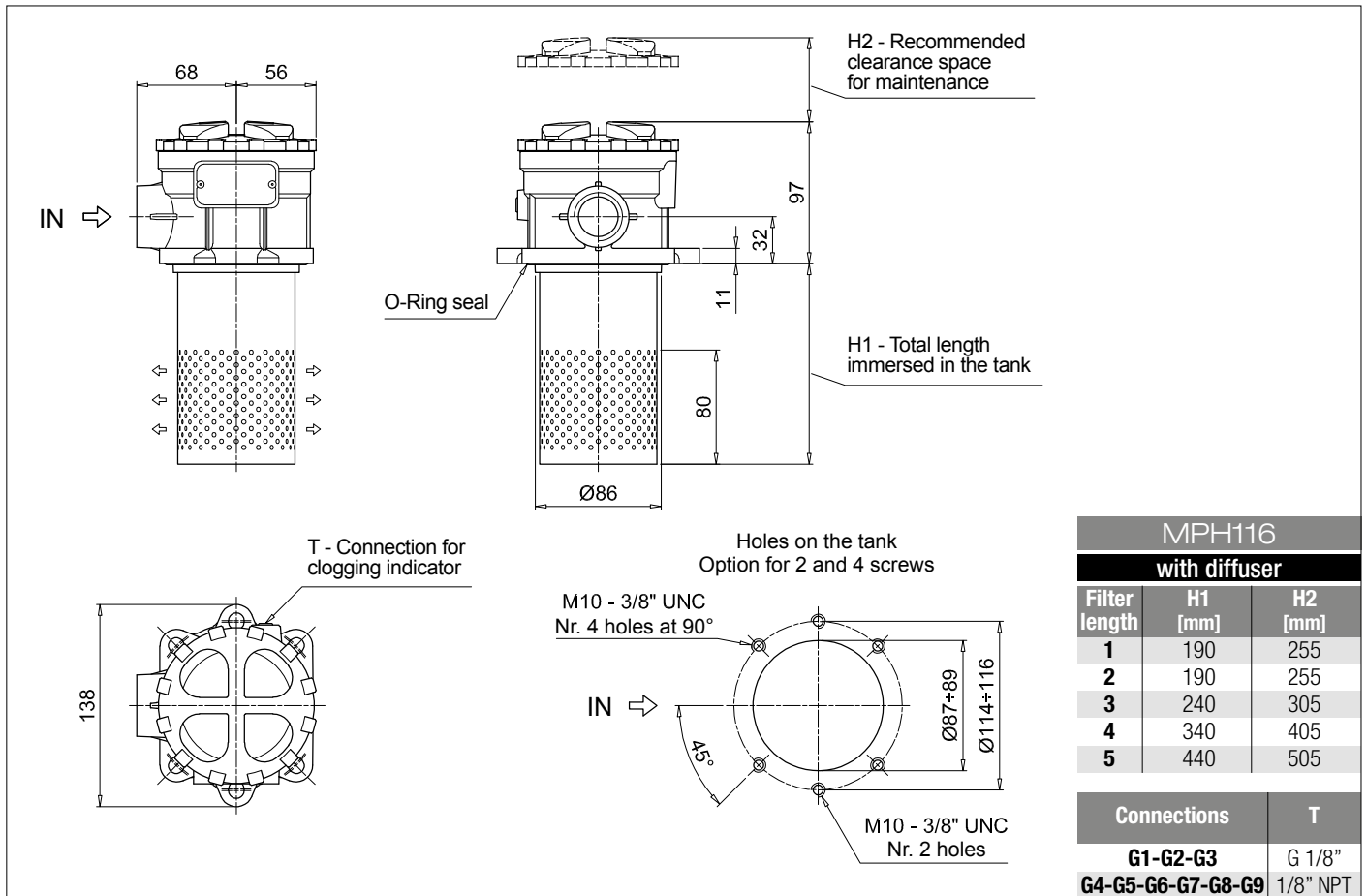
Series and size MPH116	Configuration example: MPH116 5 S D S A G1 A10 P01									
Length 1 2 3 4 5										
Bypass valve S Without bypass C 1.75 bar E 2.5 bar										
Diffuser and magnetic column D With diffuser, with magnetic column F With diffuser, without magnetic column O Without diffuser, with magnetic column E Without diffuser, without magnetic column										
Air breather S Without air breather										
Seals and treatments	Filtration rating									
A NBR	Axx	Mxx	Pxx							
V FPM	•	•	•							
W NBR head anodized	•	•		filter element compatible with fluids HFA-HFB-HFC						
Z FPM head anodized	•	•								
Flat seal on the head on request										
Connections										
G1 G 3/4"	G6 1 1/4" NPT									
G2 G 1"	G7 SAE 12 - 1 1/16" - 12 UN									
G3 G 1 1/4"	G8 SAE 16 - 1 5/16" - 12 UN									
G4 3/4" NPT	G9 SAE 20 - 1 5/8" - 12 UN									
G5 1" NPT										
Filtration rating (filter media)										
A03 Inorganic microfiber 3 µm	M25 Wire mesh 25 µm									
A06 Inorganic microfiber 6 µm	M60 Wire mesh 60 µm									
A10 Inorganic microfiber 10 µm	M90 Wire mesh 90 µm									
A16 Inorganic microfiber 16 µm	P10 Resin impregnated paper 10 µm									
A25 Inorganic microfiber 25 µm	P25 Resin impregnated paper 25 µm									
										Execution
										P01 MP Filtri standard
										Pxx Customized

FILTER ELEMENT

Element series and size MR100	Configuration example: MR100 5 A10 A P01				
Element length 1 2 3 4 5					
Filtration rating (filter media)					
A03 Inorganic microfiber 3 µm	M25 Wire mesh 25 µm				
A06 Inorganic microfiber 6 µm	M60 Wire mesh 60 µm				
A10 Inorganic microfiber 10 µm	M90 Wire mesh 90 µm				
A16 Inorganic microfiber 16 µm	P10 Resin impregnated paper 10 µm				
A25 Inorganic microfiber 25 µm	P25 Resin impregnated paper 25 µm				
		Seals	Execution		
		A NBR	P01 MP Filtri standard		
		V FPM	Pxx Customized		

ACCESSORIES

Indicators	page		page
BVA Axial pressure gauge	240	BEA Electrical pressure indicator	239
BVR Radial pressure gauge	240	BEM Electrical pressure indicator	239
BVP Visual pressure indicator with automatic reset	241	BLA Electrical / visual pressure indicator	239-240
BVQ Visual pressure indicator with manual reset	241		
Additional features	page		
DPT Dipstick	249		



Designation & Ordering code

COMPLETE FILTER

Series and size Configuration example: **MPH120** | **1** | **S** | **D** | **A** | **G1** | **1** | **A10** | **P01**

MPH120

Length
1 | **2** | **3** | **4** | **5** |

Bypass valve
S Without bypass | **C** 1.75 bar | **E** 2.5 bar

Diffuser and magnetic column
D With diffuser, with magnetic column
F With diffuser, without magnetic column
O Without diffuser, with magnetic column
E Without diffuser, without magnetic column

Seals and treatments	Filtration rating		
	Axx	Mxx	Pxx
A NBR	•	•	•
V FPM	•	•	•
W NBR head anodized	•	•	
Z FPM head anodized	•	•	

Main Connections	Rear connections	Aux size 1	Aux size 2
G1 G 3/4"	G 3/4"		
G2 G 1"	G 1"	G 3/8"	G 1/2"
G3 G 1 1/4"	G 3/4"		
G4 3/4" NPT	3/4" NPT		
G5 1" NPT	1" NPT	3/8" NPT	1/2" NPT
G6 1 1/4" NPT	3/4" NPT		
G7 SAE 12 - 1 1/16" - 12 UN	SAE 12 - 1 1/16" - 12 UN		
G8 SAE 16 - 1 5/16" - 12 UN	SAE 16 - 1 5/16" - 12 UN	SAE 6 - 9/16" - 18 UNF	SAE 8 - 3/4" - 16 UNF
G9 SAE 20 - 1 5/8" - 12 UN	SAE 12 - 1 1/16" - 12 UN		

Aux connection - see previous table
0 Not machined | **1** Aux size 1 | **2** Aux size 2

Filtration rating (filter media)	
A03 Inorganic microfiber 3 µm	M25 Wire mesh 25 µm
A06 Inorganic microfiber 6 µm	M60 Wire mesh 60 µm
A10 Inorganic microfiber 10 µm	M90 Wire mesh 90 µm
A16 Inorganic microfiber 16 µm	P10 Resin impregnated paper 10 µm
A25 Inorganic microfiber 25 µm	P25 Resin impregnated paper 25 µm

Execution
P01 MP Filtri standard
Pxx Customized

FILTER ELEMENT

Element series and size Configuration example: **MR100** | **1** | **A10** | **A** | **P01**

MR100

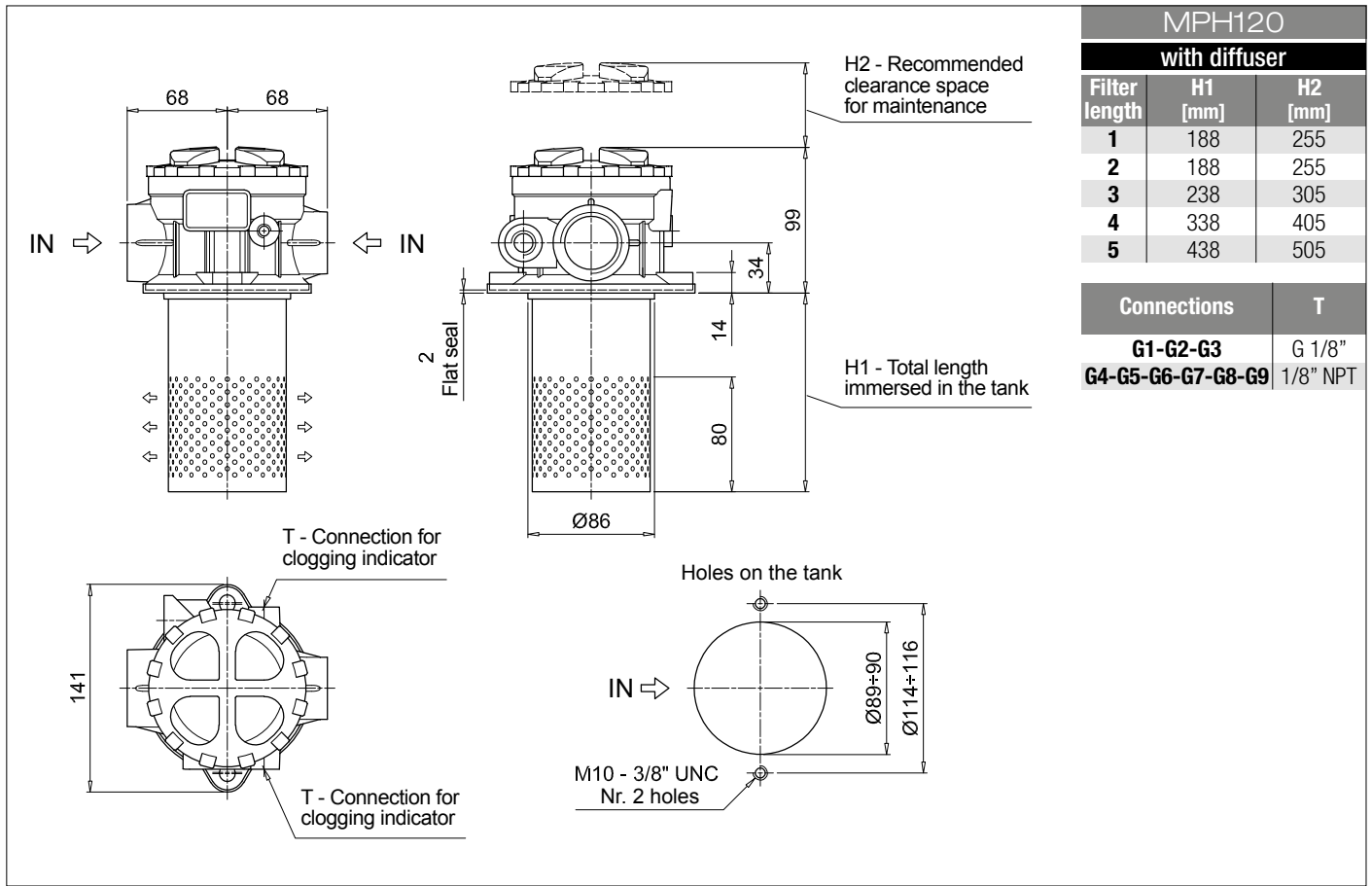
Element length
1 | **2** | **3** | **4** | **5** |

Filtration rating (filter media)	
A03 Inorganic microfiber 3 µm	M25 Wire mesh 25 µm
A06 Inorganic microfiber 6 µm	M60 Wire mesh 60 µm
A10 Inorganic microfiber 10 µm	M90 Wire mesh 90 µm
A16 Inorganic microfiber 16 µm	P10 Resin impregnated paper 10 µm
A25 Inorganic microfiber 25 µm	P25 Resin impregnated paper 25 µm

Seals
A NBR
V FPM
 Execution
P01 MP Filtri standard
Pxx Customized

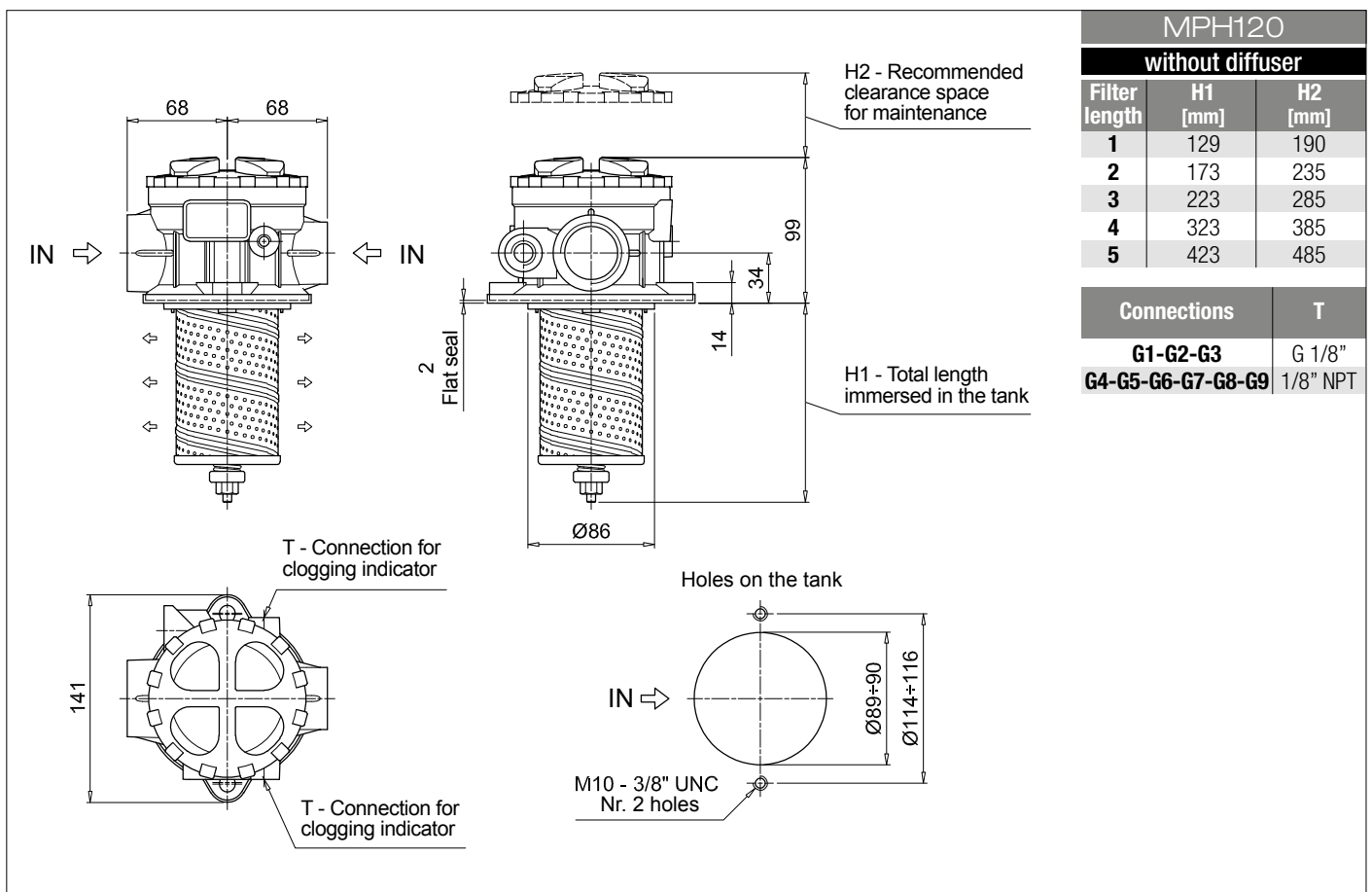
ACCESSORIES

Indicators	page		page
BVA Axial pressure gauge	240	BEA Electrical pressure indicator	239
BVR Radial pressure gauge	240	BEM Electrical pressure indicator	239
BVP Visual pressure indicator with automatic reset	241	BLA Electrical / visual pressure indicator	239-240
BVQ Visual pressure indicator with manual reset	241		
Additional features	page		
DPT Dipstick	249		



MPH120		
with diffuser		
Filter length	H1 [mm]	H2 [mm]
1	188	255
2	188	255
3	238	305
4	338	405
5	438	505

Connections	T
G1-G2-G3	G 1/8"
G4-G5-G6-G7-G8-G9	1/8" NPT



MPH120		
without diffuser		
Filter length	H1 [mm]	H2 [mm]
1	129	190
2	173	235
3	223	285
4	323	385
5	423	485

Connections	T
G1-G2-G3	G 1/8"
G4-G5-G6-G7-G8-G9	1/8" NPT

Designation & Ordering code

COMPLETE FILTER

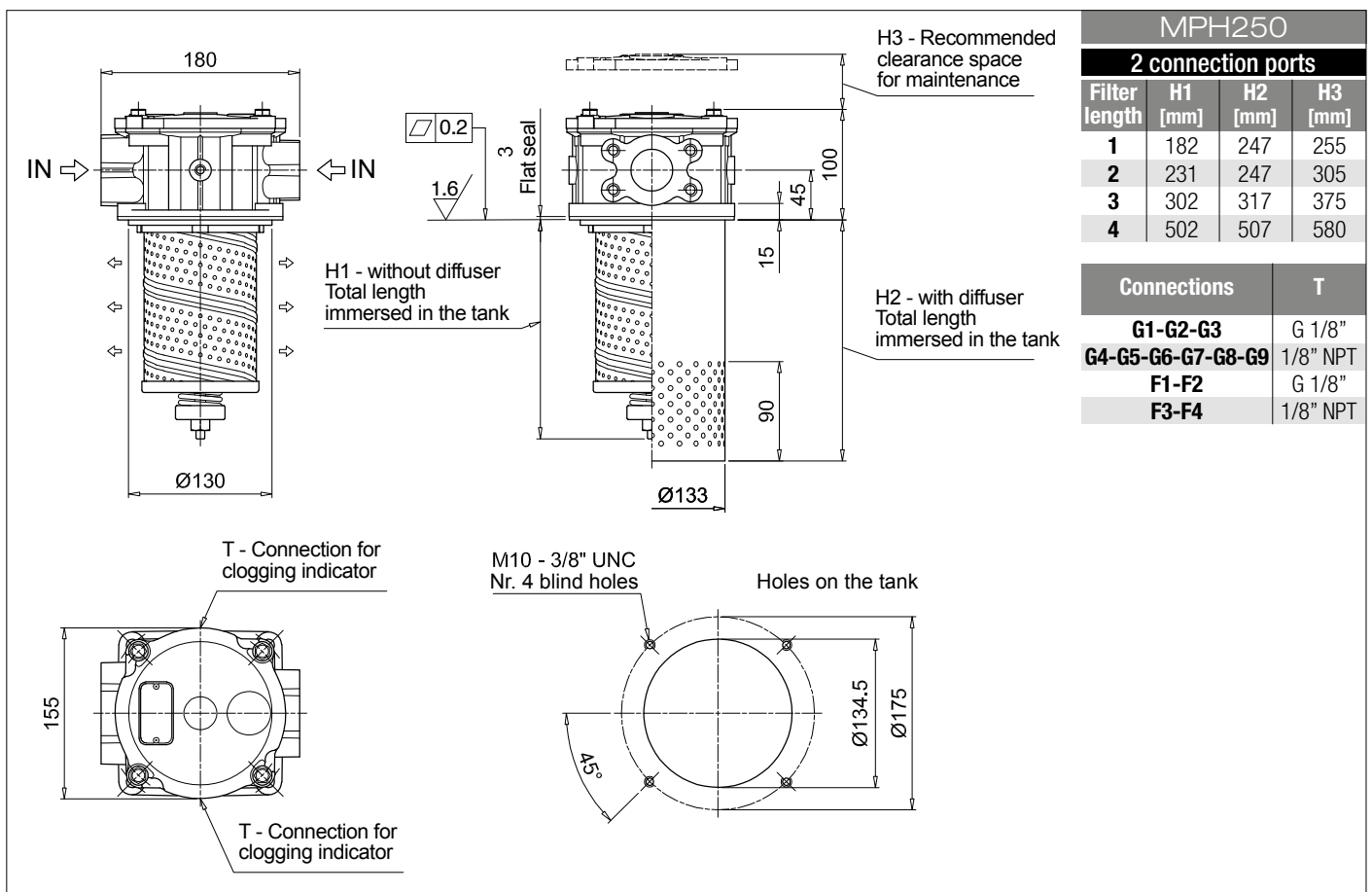
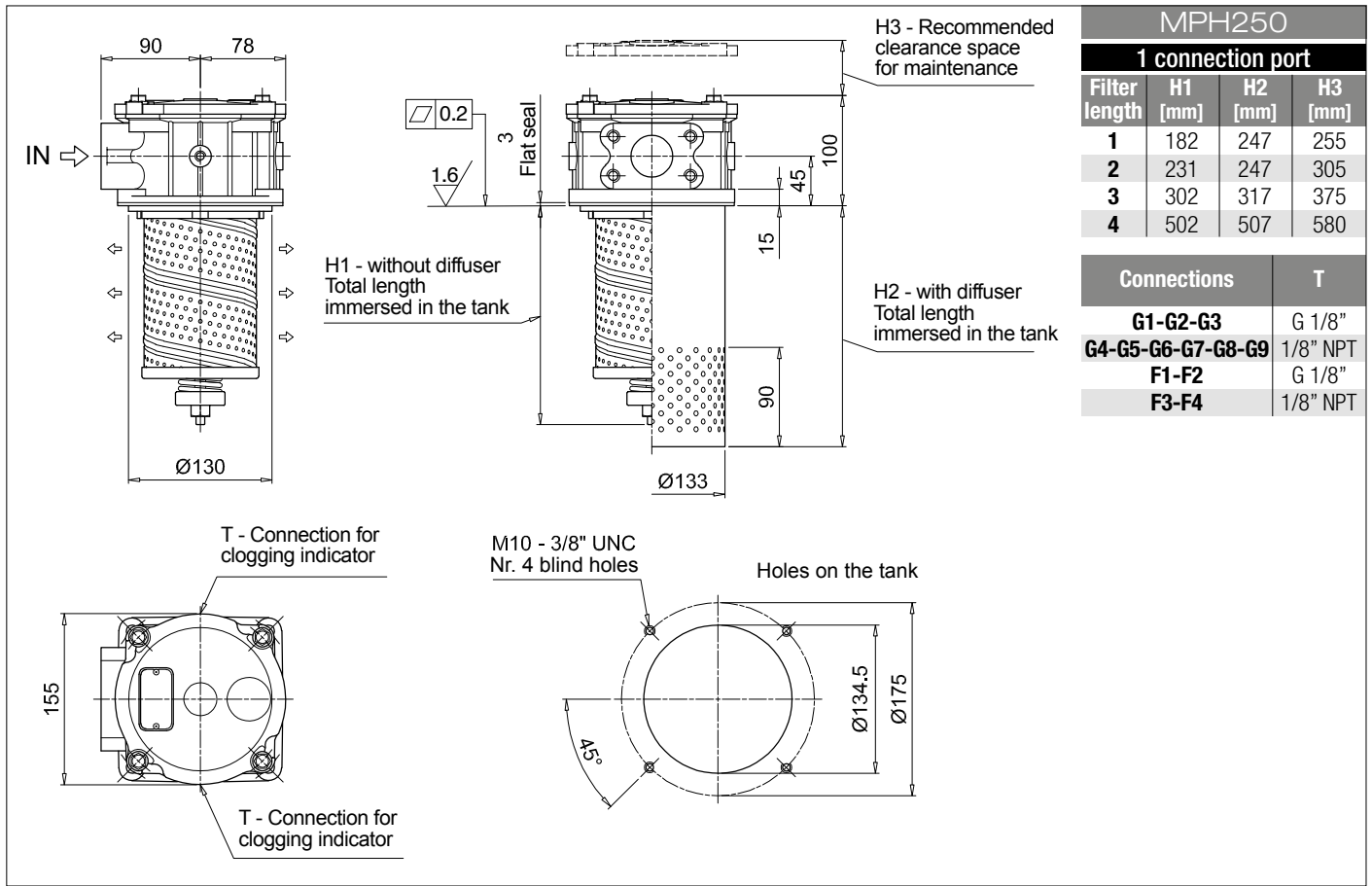
Series and size		Configuration example: MPH250										
MPH250		1	C	D	S	A	G1	A10	P01			
Length												
1 2 3 4												
Bypass valve												
S Without bypass		C 1.75 bar		E 2.5 bar								
Diffuser and magnetic column												
D With diffuser, with magnetic column												
F With diffuser, without magnetic column												
O Without diffuser, with magnetic column												
E Without diffuser, without magnetic column												
Air breather												
S Without air breather												
Seals and treatments		Filtration rating										
		Axx	Mxx	Pxx								
A NBR		•	•	•								
V FPM		•	•	•								
W NBR head anodized		•	•		filter element compatible with fluids HFA-HFB-HFC							
Z FPM head anodized		•	•									
Main Connections		Rear connections										
G1 G 1 1/2"		-										
G2 G 1 1/2"		G 1 1/4"										
G4 1 1/2" NPT		-										
G5 1 1/2" NPT		1 1/4" NPT										
G7 SAE 24 - 1 7/8" - 12 UN		-										
G8 SAE 24 - 1 7/8" - 12 UN		SAE 20 - 1 5/8" - 12 UN										
F1 1 1/2" SAE 3000 psi/M		-										
F2 1 1/2" SAE 3000 psi/M		1 1/4" SAE 3000 psi/M										
F3 1 1/2" SAE 3000 psi/UNC		-										
F4 1 1/2" SAE 3000 psi/UNC		1 1/4" SAE 3000 psi/UNC										
Filtration rating (filter media)												
A03 Inorganic microfiber 3 µm		M25 Wire mesh 25 µm										
A06 Inorganic microfiber 6 µm		M60 Wire mesh 60 µm										
A10 Inorganic microfiber 10 µm		M90 Wire mesh 90 µm										
A16 Inorganic microfiber 16 µm		P10 Resin impregnated paper 10 µm										
A25 Inorganic microfiber 25 µm		P25 Resin impregnated paper 25 µm										
		Execution										
		P01 MP Filtri standard										
		Pxx Customized										

FILTER ELEMENT

Element series and size		Configuration example: MR250								
MR250		1	A10	A	P01					
Element length										
1 2 3 4										
Filtration rating (filter media)										
A03 Inorganic microfiber 3 µm		M25 Wire mesh 25 µm								
A06 Inorganic microfiber 6 µm		M60 Wire mesh 60 µm								
A10 Inorganic microfiber 10 µm		M90 Wire mesh 90 µm								
A16 Inorganic microfiber 16 µm		P10 Resin impregnated paper 10 µm								
A25 Inorganic microfiber 25 µm		P25 Resin impregnated paper 25 µm								
		Seals		Execution						
		A NBR		P01 MP Filtri standard						
		V FPM		Pxx Customized						

ACCESSORIES

Indicators	page		page
BVA Axial pressure gauge	240	BEA Electrical pressure indicator	239
BVR Radial pressure gauge	240	BEM Electrical pressure indicator	239
BVP Visual pressure indicator with automatic reset	241	BLA Electrical / visual pressure indicator	239-240
BVQ Visual pressure indicator with manual reset	241		



Designation & Ordering code

COMPLETE FILTER

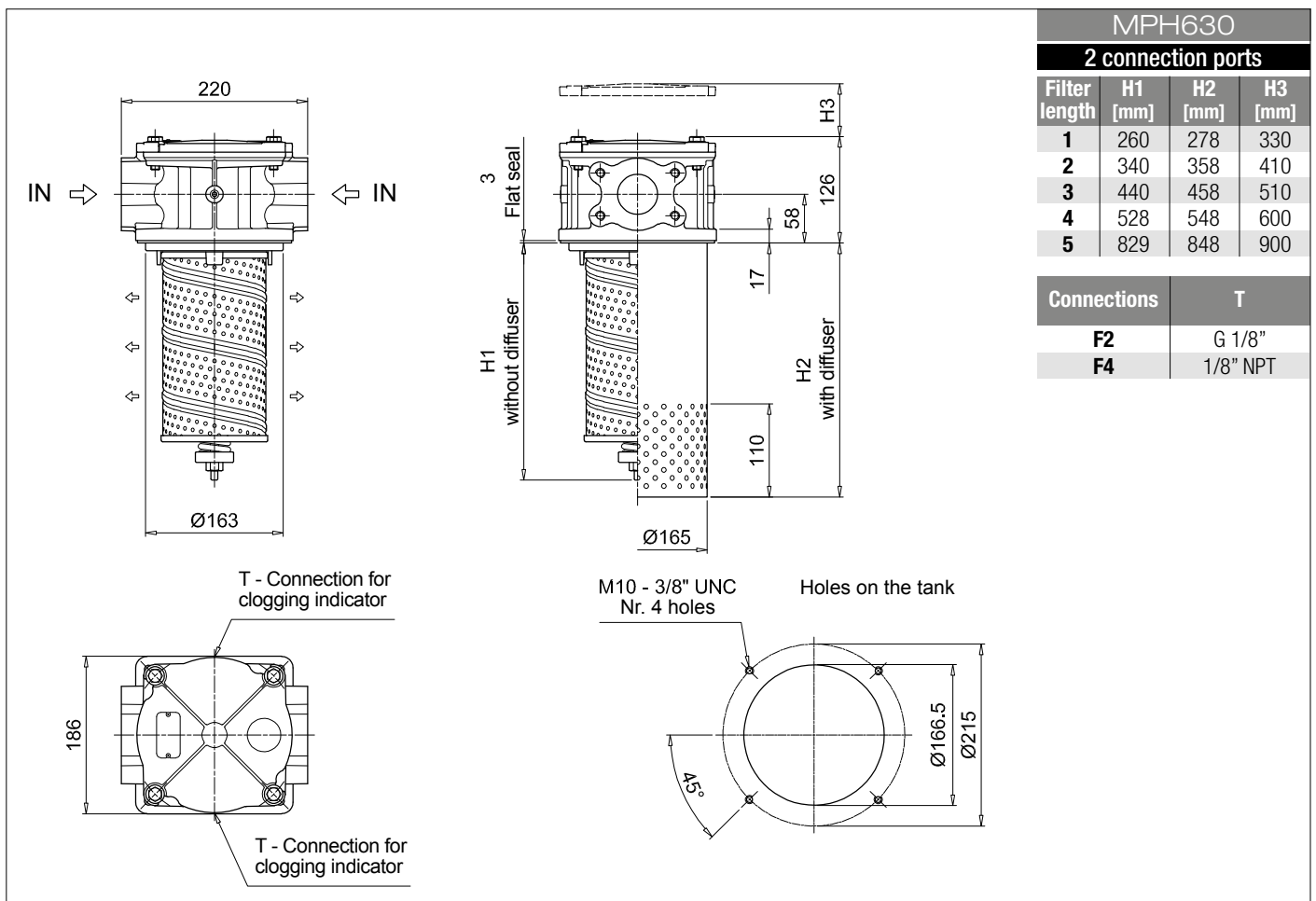
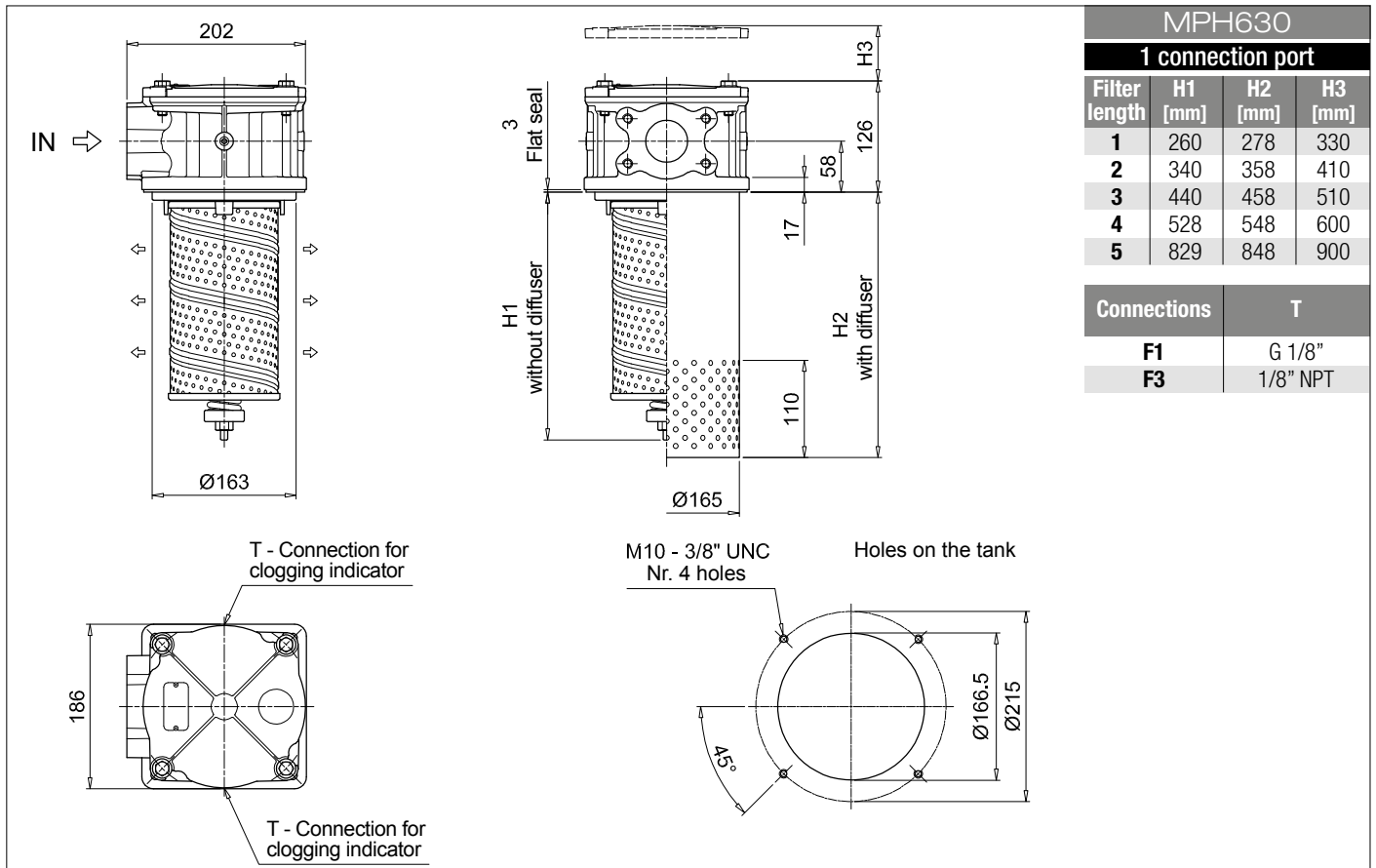
Series and size	Configuration example: MPH630										
MPH630	1	S	E	S	W	F1	M25	P01			
Length											
1 2 3 4 5											
Bypass valve											
S Without bypass	C 1.75 bar	E 2.5 bar									
Diffuser and magnetic column											
D With diffuser, with magnetic column											
F With diffuser, without magnetic column											
O Without diffuser, with magnetic column											
E Without diffuser, without magnetic column											
Air breather											
S Without air breather											
Seals and treatments	Filtration rating										
	Axx	Mxx	Pxx								
A NBR	•	•	•								
V FPM	•	•	•								
W NBR head anodized	•	•		filter element compatible with fluids HFA-HFB-HFC							
Z FPM head anodized	•	•									
Main Connections	Rear connections										
F1 2 1/2" SAE 3000 psi/M	-										
F2 2 1/2" SAE 3000 psi/M	2" SAE 3000 psi/M										
F3 2 1/2" SAE 3000 psi/UNC	-										
F4 2 1/2" SAE 3000 psi/UNC	2" SAE 3000 psi/UNC										
Filtration rating (filter media)											
A03 Inorganic microfiber 3 µm	M25 Wire mesh 25 µm										
A06 Inorganic microfiber 6 µm	M60 Wire mesh 60 µm										
A10 Inorganic microfiber 10 µm	M90 Wire mesh 90 µm										
A16 Inorganic microfiber 16 µm	P10 Resin impregnated paper 10 µm										
A25 Inorganic microfiber 25 µm	P25 Resin impregnated paper 25 µm										
Execution											
P01 MP Filtri standard											
Pxx Customized											

FILTER ELEMENT

Element series and size	Configuration example: MR630				
MR630	1	M25	A	P01	
Element length					
1 2 3 4 5					
Filtration rating (filter media)					
A03 Inorganic microfiber 3 µm	M25 Wire mesh 25 µm				
A06 Inorganic microfiber 6 µm	M60 Wire mesh 60 µm				
A10 Inorganic microfiber 10 µm	M90 Wire mesh 90 µm				
A16 Inorganic microfiber 16 µm	P10 Resin impregnated paper 10 µm				
A25 Inorganic microfiber 25 µm	P25 Resin impregnated paper 25 µm				
Seals	Execution				
A NBR	P01 MP Filtri standard				
V FPM	Pxx Customized				

ACCESSORIES

Indicators	page		page
BVA Axial pressure gauge	240	BEA Electrical pressure indicator	239
BVR Radial pressure gauge	240	BEM Electrical pressure indicator	239
BVP Visual pressure indicator with automatic reset	241	BLA Electrical / visual pressure indicator	239-240
BVQ Visual pressure indicator with manual reset	241		



Designation & Ordering code

COMPLETE FILTER

Series and size	Configuration example: MPH660 4 C D S A F2 A10 P01																			
MPH660																				
Length	4 5																			
Bypass valve	S Without bypass C 1.75 bar E 2.5 bar																			
Diffuser and magnetic column	D With diffuser, with magnetic column F With diffuser, without magnetic column O Without diffuser, with magnetic column E Without diffuser, without magnetic column																			
Air breather	S Without air breather																			
Seals and treatments	Filtration rating																			
	Axx	Mxx	Pxx																	
A NBR	•	•	•																	
V FPM	•	•	•																	
W NBR head anodized	•	•		filter element compatible with fluids HFA-HFB-HFC																
Z FPM head anodized	•	•																		
Main Connections	F1 3" SAE 3000 psi/M F2 4" SAE 3000 psi/M																			
Filtration rating (filter media)	<table border="0"> <tr> <td>A03 Inorganic microfiber 3 µm</td> <td>M25 Wire mesh 25 µm</td> </tr> <tr> <td>A06 Inorganic microfiber 6 µm</td> <td>M60 Wire mesh 60 µm</td> </tr> <tr> <td>A10 Inorganic microfiber 10 µm</td> <td>M90 Wire mesh 90 µm</td> </tr> <tr> <td>A16 Inorganic microfiber 16 µm</td> <td>P10 Resin impregnated paper 10 µm</td> </tr> <tr> <td>A25 Inorganic microfiber 25 µm</td> <td>P25 Resin impregnated paper 25 µm</td> </tr> </table>										A03 Inorganic microfiber 3 µm	M25 Wire mesh 25 µm	A06 Inorganic microfiber 6 µm	M60 Wire mesh 60 µm	A10 Inorganic microfiber 10 µm	M90 Wire mesh 90 µm	A16 Inorganic microfiber 16 µm	P10 Resin impregnated paper 10 µm	A25 Inorganic microfiber 25 µm	P25 Resin impregnated paper 25 µm
A03 Inorganic microfiber 3 µm	M25 Wire mesh 25 µm																			
A06 Inorganic microfiber 6 µm	M60 Wire mesh 60 µm																			
A10 Inorganic microfiber 10 µm	M90 Wire mesh 90 µm																			
A16 Inorganic microfiber 16 µm	P10 Resin impregnated paper 10 µm																			
A25 Inorganic microfiber 25 µm	P25 Resin impregnated paper 25 µm																			
								Execution	P01 MP Filtri standard Pxx Customized											

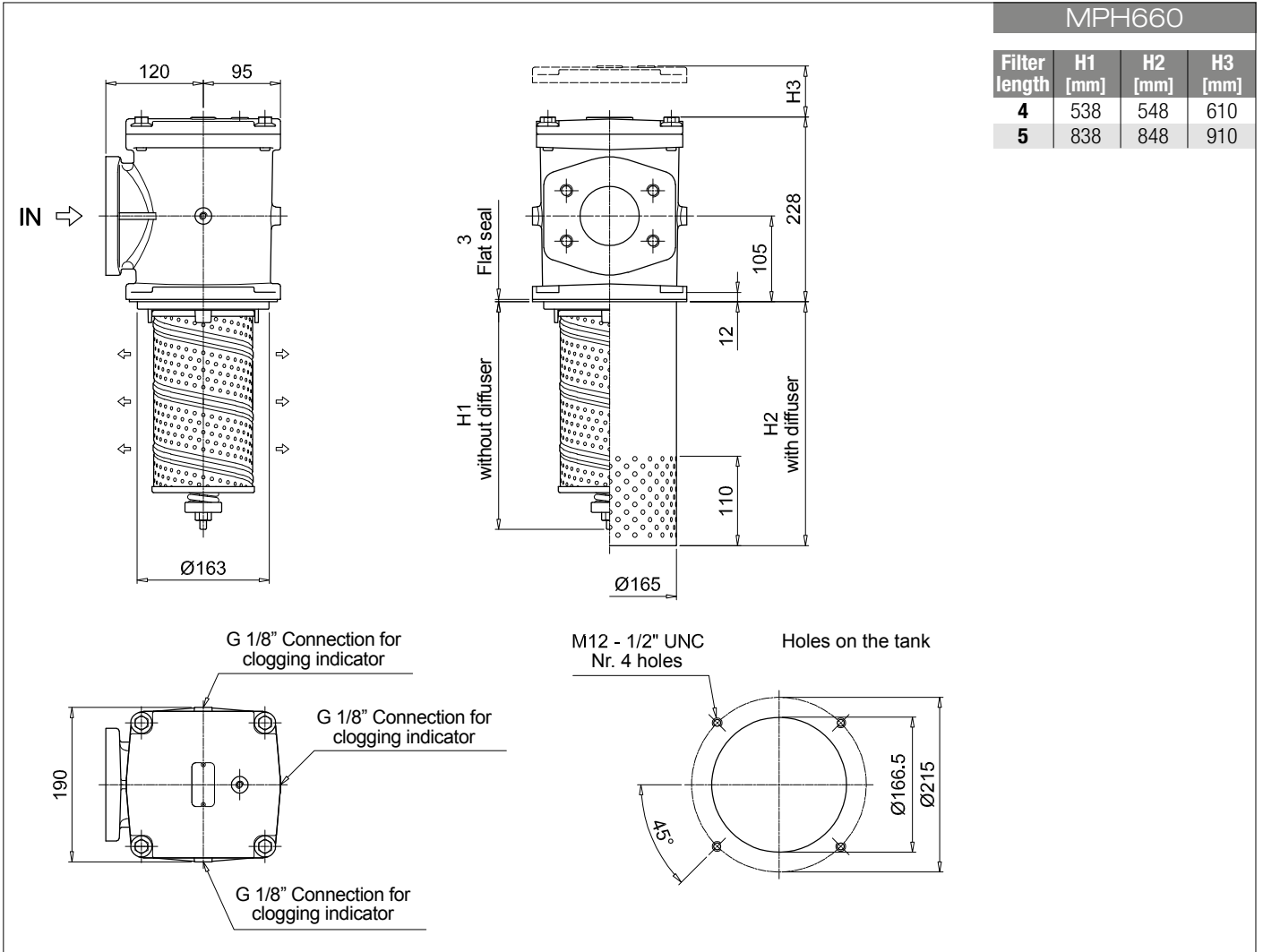
FILTER ELEMENT

Element series and size	Configuration example: MR630 5 M25 A P01														
MR630															
Element length	4 5														
Filtration rating (filter media)	<table border="0"> <tr> <td>A03 Inorganic microfiber 3 µm</td> <td>M25 Wire mesh 25 µm</td> </tr> <tr> <td>A06 Inorganic microfiber 6 µm</td> <td>M60 Wire mesh 60 µm</td> </tr> <tr> <td>A10 Inorganic microfiber 10 µm</td> <td>M90 Wire mesh 90 µm</td> </tr> <tr> <td>A16 Inorganic microfiber 16 µm</td> <td>P10 Resin impregnated paper 10 µm</td> </tr> <tr> <td>A25 Inorganic microfiber 25 µm</td> <td>P25 Resin impregnated paper 25 µm</td> </tr> </table>					A03 Inorganic microfiber 3 µm	M25 Wire mesh 25 µm	A06 Inorganic microfiber 6 µm	M60 Wire mesh 60 µm	A10 Inorganic microfiber 10 µm	M90 Wire mesh 90 µm	A16 Inorganic microfiber 16 µm	P10 Resin impregnated paper 10 µm	A25 Inorganic microfiber 25 µm	P25 Resin impregnated paper 25 µm
A03 Inorganic microfiber 3 µm	M25 Wire mesh 25 µm														
A06 Inorganic microfiber 6 µm	M60 Wire mesh 60 µm														
A10 Inorganic microfiber 10 µm	M90 Wire mesh 90 µm														
A16 Inorganic microfiber 16 µm	P10 Resin impregnated paper 10 µm														
A25 Inorganic microfiber 25 µm	P25 Resin impregnated paper 25 µm														
	Seals		Execution												
	A NBR		P01	MP Filtri standard											
	V FPM		Pxx	Customized											

ACCESSORIES

Indicators	page		page
BVA Axial pressure gauge	240	BEA Electrical pressure indicator	239
BVR Radial pressure gauge	240	BEM Electrical pressure indicator	239
BVP Visual pressure indicator with automatic reset	241	BLA Electrical / visual pressure indicator	239-240
BVQ Visual pressure indicator with manual reset	241		

MPH660			
Filter length	H1 [mm]	H2 [mm]	H3 [mm]
4	538	548	610
5	838	848	910



Designation & Ordering code

COMPLETE FILTER

Series and size **MPH850** Configuration example: **MPH850** | **1** | **C** | **D** | **S** | **A** | **F1** | **A10** | **P01**

Length: **1** | **2** | **3** | **4**

Bypass valve: **S** Without bypass | **C** 1.75 bar

Diffuser and magnetic column: **D** With diffuser, with magnetic column
F With diffuser, without magnetic column
O Without diffuser, with magnetic column
E Without diffuser, without magnetic column

Air breather: **S** Without air breather

Seals and treatments	Filtration rating		
	Axx	Mxx	Pxx
A NBR	•	•	•
V FPM	•	•	•
W NBR head anodized	•	•	
Z FPM head anodized	•	•	

Main Connections | Rear connections

Main Connections	Rear connections
F1 UNI 2223 DN 100 PN 10/16	3" SAE 3000 psi/M
F2 UNI 2223 DN 100 PN 10/16	3" SAE 3000 psi/UNC
F5 Not machined	3" SAE 3000 psi/M
F6 Not machined	3" SAE 3000 psi/UNC
F7 4" SAE 3000 psi/M	3" SAE 3000 psi/M
F8 4" SAE 3000 psi/UNC	3" SAE 3000 psi/UNC

Filtration rating (filter media)

A03 Inorganic microfiber 3 µm	M25 Wire mesh 25 µm
A06 Inorganic microfiber 6 µm	M60 Wire mesh 60 µm
A10 Inorganic microfiber 10 µm	M90 Wire mesh 90 µm
A16 Inorganic microfiber 16 µm	P10 Resin impregnated paper 10 µm
A25 Inorganic microfiber 25 µm	P25 Resin impregnated paper 25 µm

Execution: **P01** MP Filtri standard
Pxx Customized

FILTER ELEMENT

Element series and size **MR850** Configuration example: **MR850** | **1** | **A10** | **A** | **P01**

Element length: **1** | **2** | **3** | **4**

Filtration rating (filter media)

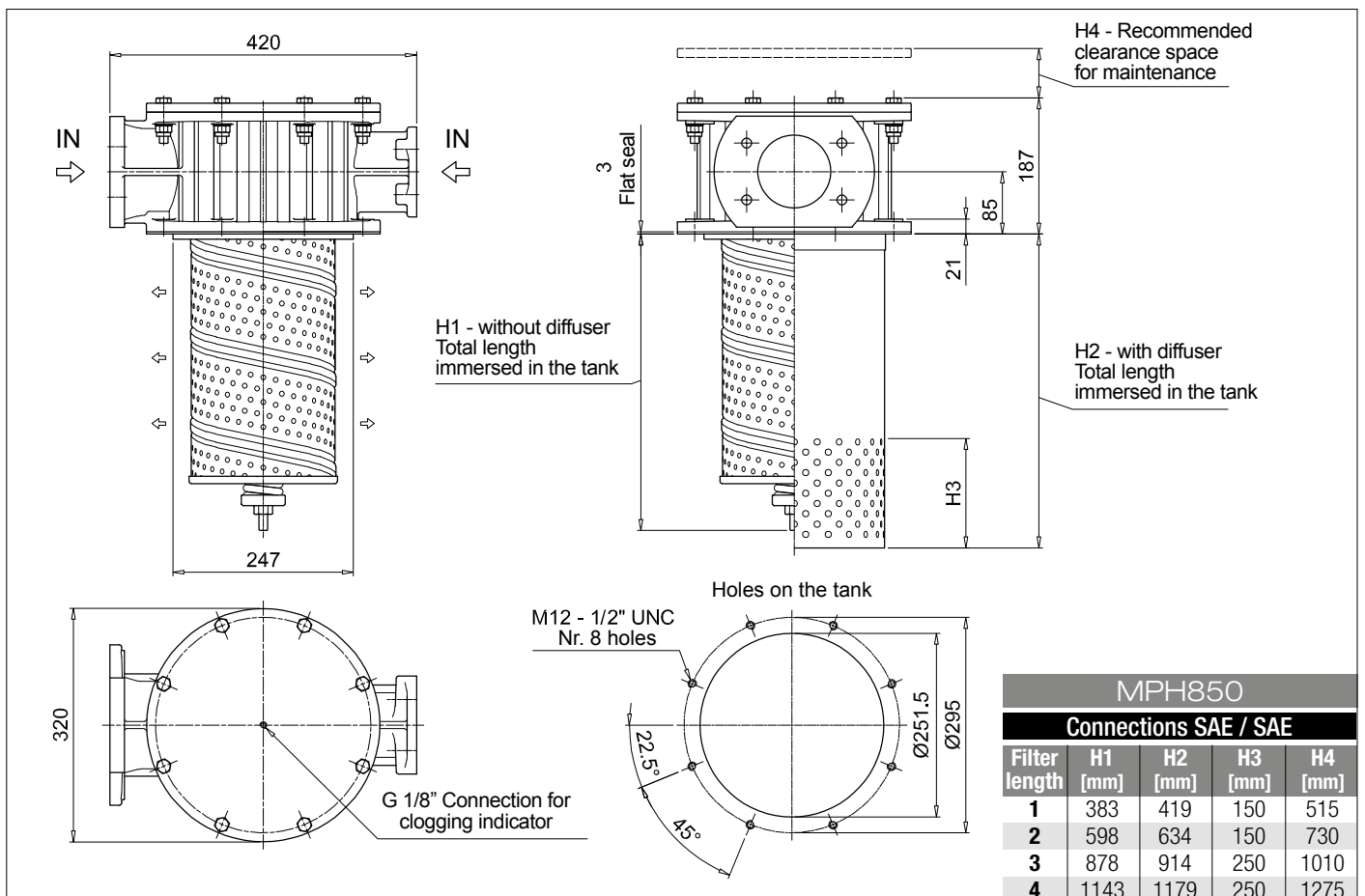
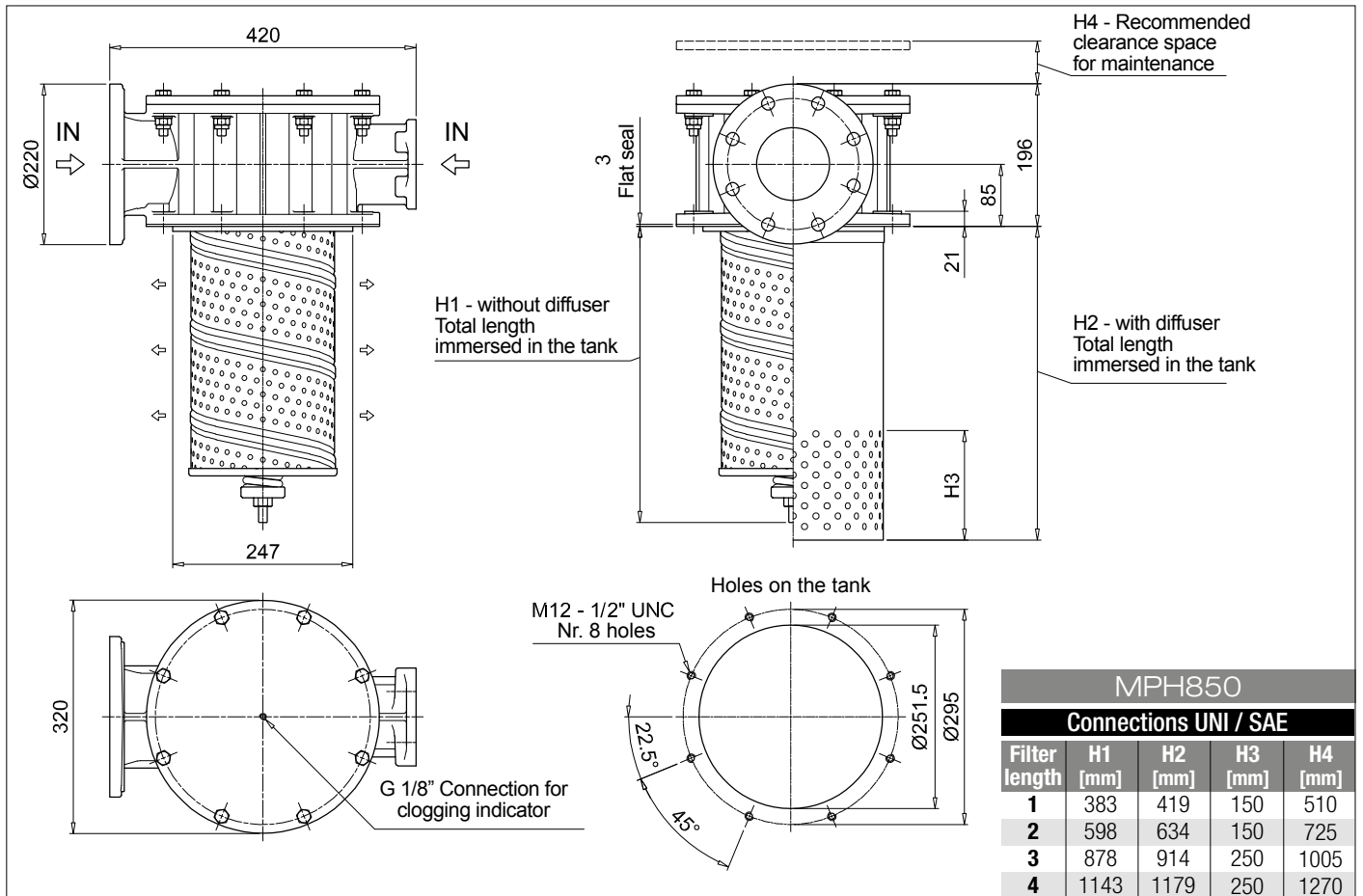
A03 Inorganic microfiber 3 µm	M25 Wire mesh 25 µm
A06 Inorganic microfiber 6 µm	M60 Wire mesh 60 µm
A10 Inorganic microfiber 10 µm	M90 Wire mesh 90 µm
A16 Inorganic microfiber 16 µm	P10 Resin impregnated paper 10 µm
A25 Inorganic microfiber 25 µm	P25 Resin impregnated paper 25 µm

Seals: **A** NBR | **V** FPM

Execution: **P01** MP Filtri standard
Pxx Customized

ACCESSORIES

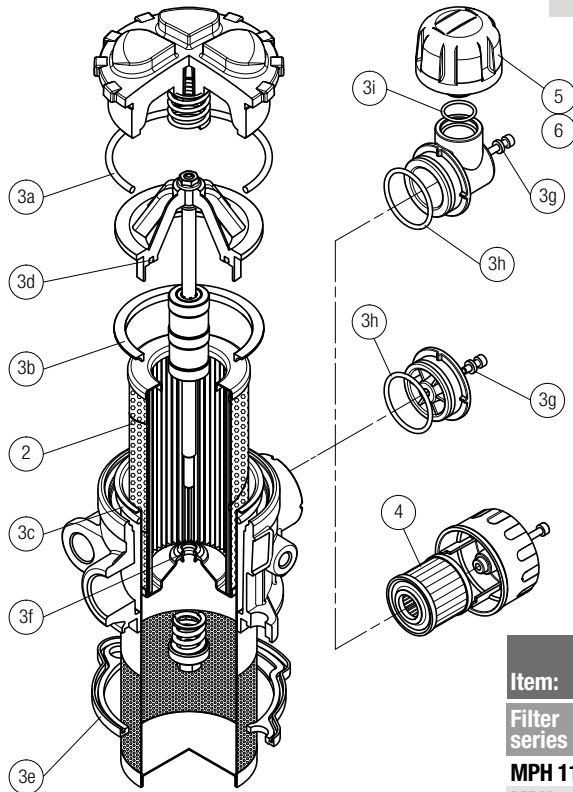
Indicators	page		page
BVA Axial pressure gauge	240	BEA Electrical pressure indicator	239
BVR Radial pressure gauge	240	BEM Electrical pressure indicator	239
BVP Visual pressure indicator with automatic reset	241	BLA Electrical / visual pressure indicator	239-240
BVQ Visual pressure indicator with manual reset	241		



MPH SPARE PARTS

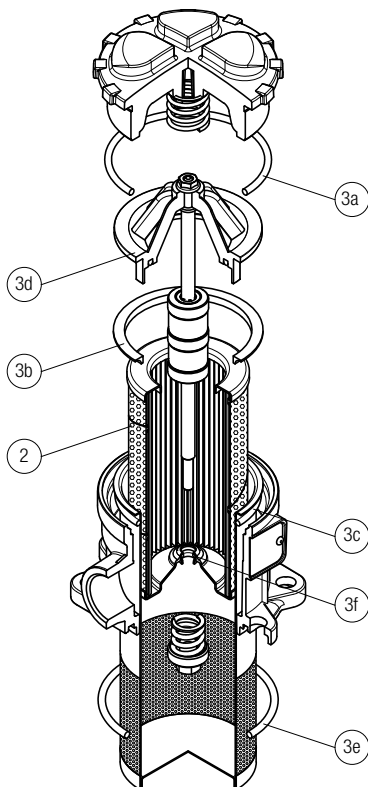
Order number for spare parts

MPH 110 - 114



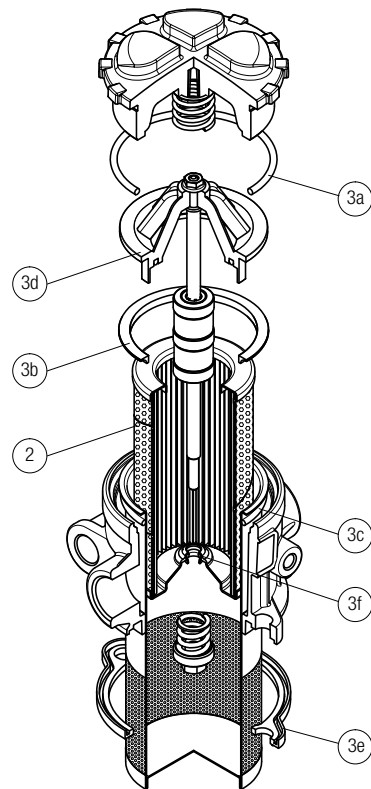
Item:	Q.ty: 1 pc.	Q.ty: 1 pc.		Q.ty: 1 pc.	Q.ty: 1 pc.		Q.ty: 1 pc.
Filter series	Filter element	Seal Kit code number		Air breather filter element - version:			
		NBR	FPM	C	D	P	
MPH 110	See order table	02050565	02050566	10 µm A3L03	10 µm SAP50G3L03A0P01	10 µm SAP50G3L03A1P01	
MPH 114	See order table	02050582	02050583				

MPH 116



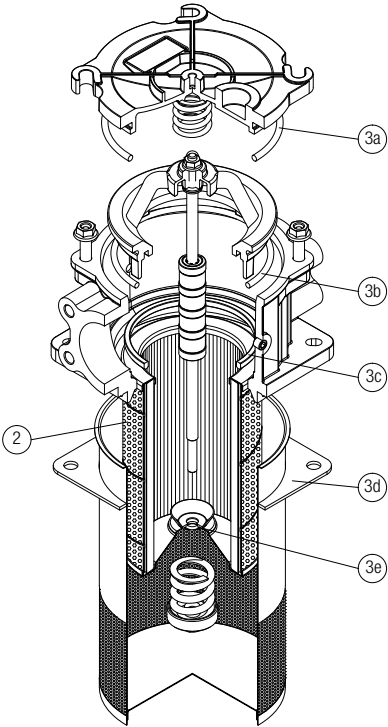
Item:	Q.ty: 1 pc.	Q.ty: 1 pc.	
Filter series	Filter element	Seal Kit code number	
		NBR	FPM
MPH 116	See order table	02050741	02050742

MPH 120



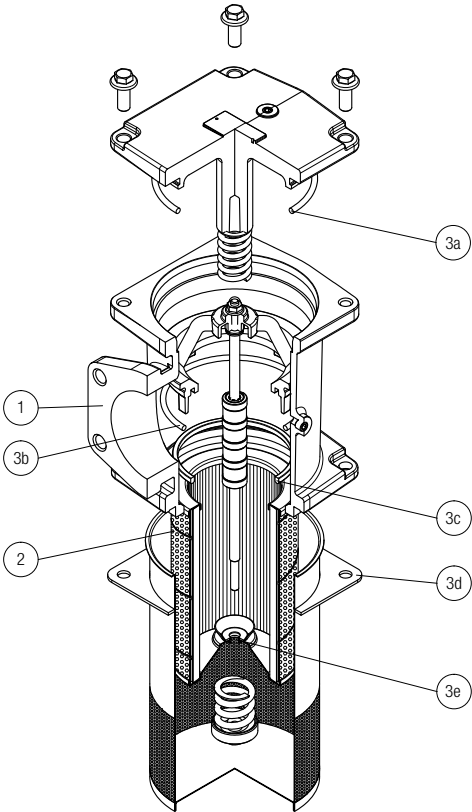
Item:	Q.ty: 1 pc.	Q.ty: 1 pc.	
Filter series	Filter element	Seal Kit code number	
		NBR	FPM
MPH 120	See order table	02050567	02050568

MPH 250 - 630



Item:	Q.ty: 1 pc.	Q.ty: 1 pc.	
Filter series	Filter element	Seal Kit code number	
MPH 250	MPH 630	NBR	FPM
	2	3 (3a ÷ 3e)	
	See order table	02050151	02050152
	See order table	02050153	02050154

MPH 660



Item:	Q.ty: 1 pc.	Q.ty: 1 pc.	
Filter series	Filter element	Seal Kit code number	
MPH 660	MPH 850	NBR	FPM
	2	3 (3a ÷ 3e)	
	See order table	02050153	02050154
	See order table	02050155	02050156

MPH 850

