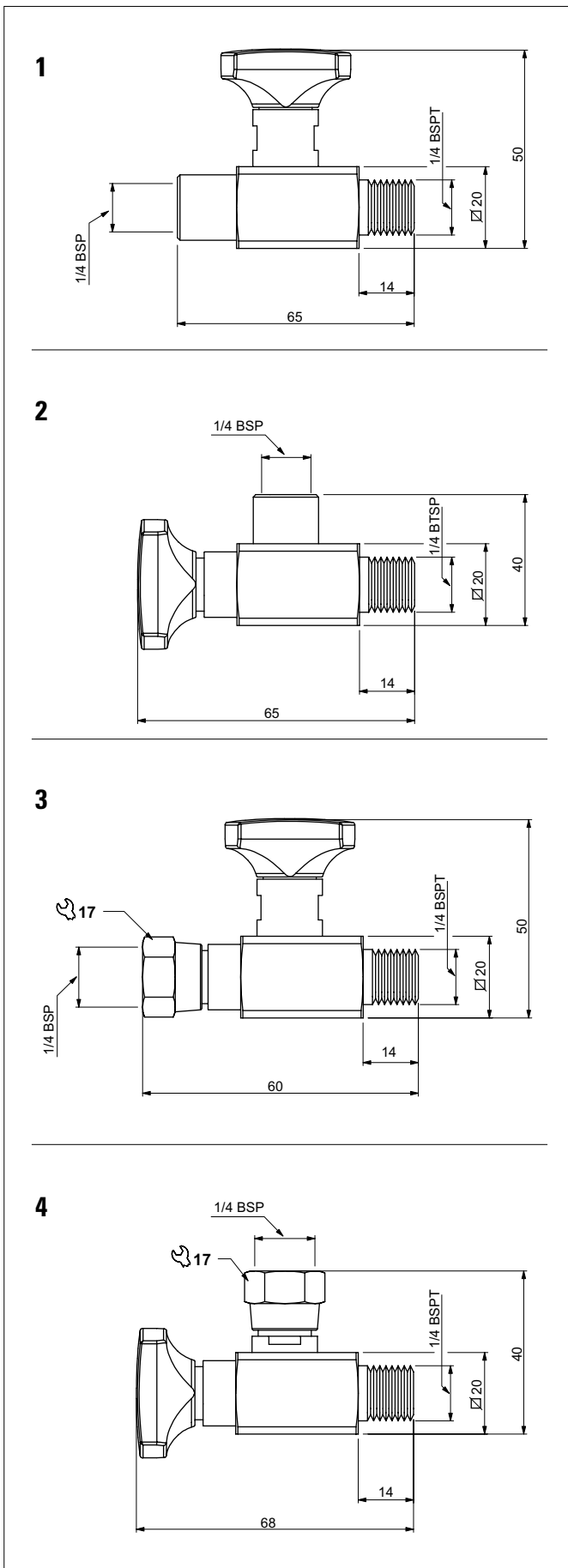


## PRESSURE GAUGE SHUT-OFF - IN-LINE MOUNTING



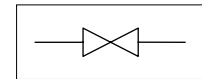
### MR.7... in line - MRA.7... at 90°

This in-line mounting shut-off is completely steel made and allows for operating pressure of up to 400 bar. Its uses is essential to protect measuring gauge in the eventuality of fluid hammer.

### MRG.7... in line with revolving nut MRAG.7... at 90° with revolving nut

This in-line mounting shut-off is completely steel made and allows for operating pressure of up to 400 bar. It has been designed to allow for independent mounting of the measuring gauge over a 360° angle, obviating in this way any problem relative to the gauge dimensions and mounting position. Its uses is essential to protect measuring gauge in the eventuality of fluid hammer.

### HYDRAULIC SYMBOL



### ORDERING CODE

Ref	Code	Description	Pressure max (bar)	Weight (kg)
1	<b>MR7002</b>	In line	400	0.115
2	<b>MRA7002</b>	At 90°	400	0.130
3	<b>MRG7002</b>	In line with revolving nut	400	0.120
4	<b>MRAG7002</b>	At 90° with revolving nut	400	0.135