

NEW

# MTH

WALVOIL Multifunction Handle



A member of



 **walvoil**  
FLUID POWER E|MOTION

# MTH WALVOIL Multifunction Handle



The new MTH handle has been developed by WALVOIL to combine the requirements of ergonomics and functionality, for different mobile applications.

The shape of the handle makes it suitable for intensive use, ensuring high levels of comfort for the operator.

The handle can be handled in different ways. The operator can find out the best hand position on it.

The grip can be configured with a high number of pushbuttons (up to 10) and proportional controls (up to 3), giving the operator the possibility to control the complete machine functionality just with one hand.

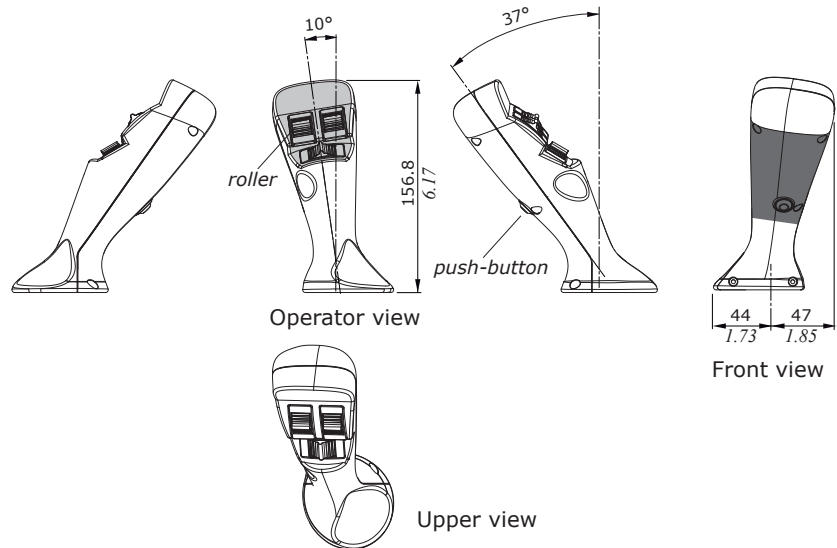
The LEDs offer to the operator a very quick and simple indication about the status of the system.

- Ergonomic design for high level of comfort
- Proportional controls (up to 3 simultaneous) and on-off (up to 10) on front and operator sides
- Backlight illumination of proportional functions
- Capacitive operator presence detection
- Right and left hand configuration

- Operator side:
  - up to 3 rollers
  - up to 9 push-buttons

- Front side:
  - up to 2 rollers
  - 1 push-button

## Configuration example 1



## Configuration example 2

