



VALVOLE DI FLUSSO

2FRM6

FLOW CONTROL VALVES

2FRM6 SERIES ARE RESTRICTIVE FLOW REGULATORS, WITHOUT AFFECTED BY PRESSURE AND TEMPERATURE. THIS VALVES MAY BE MOUNTED IN A HYDRAULIC CIRCUIT IN ANY POSITION.



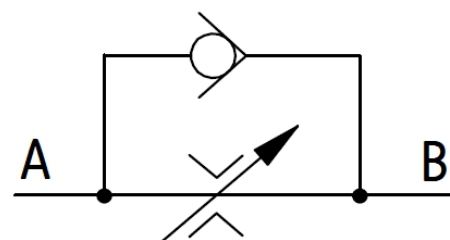
TECHNICAL DATA

SIZE	6
MAX. FLOW RATE (L/MIN)	25
OPERATING PRESSURE (MPA)	31.5
FLUID TEMPERATURE (°C)	-20 - 70
FILTRATION ACCURACY (µM)	25 (Q<5 L/MIN); 10 (Q<0.5 L/MIN)
WEIGHT (KG)	1.4
VALVE BODY (MATERIAL)	CASTING PHOSPHATING SURFACE

SCHEMES



2FRM6...M



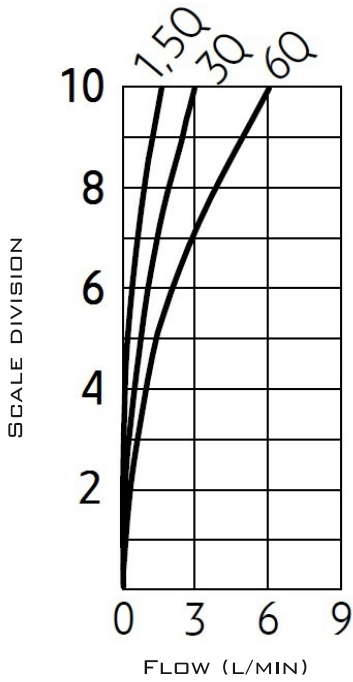
2FRM6...R



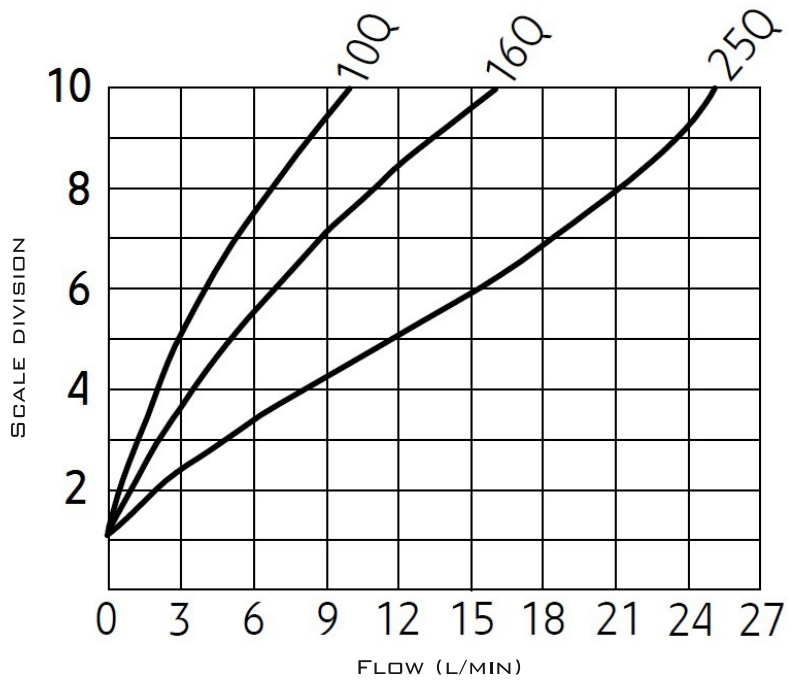
CHARACTERISTIC CURVES

CHARACTERISTIC CURVES OF FLOW RELATION TO HANDKNOB POSITION ON SCALE FOR FLOW CONTROL VALVES WITH DIFFERENT SETTABLE FLOW RANGES

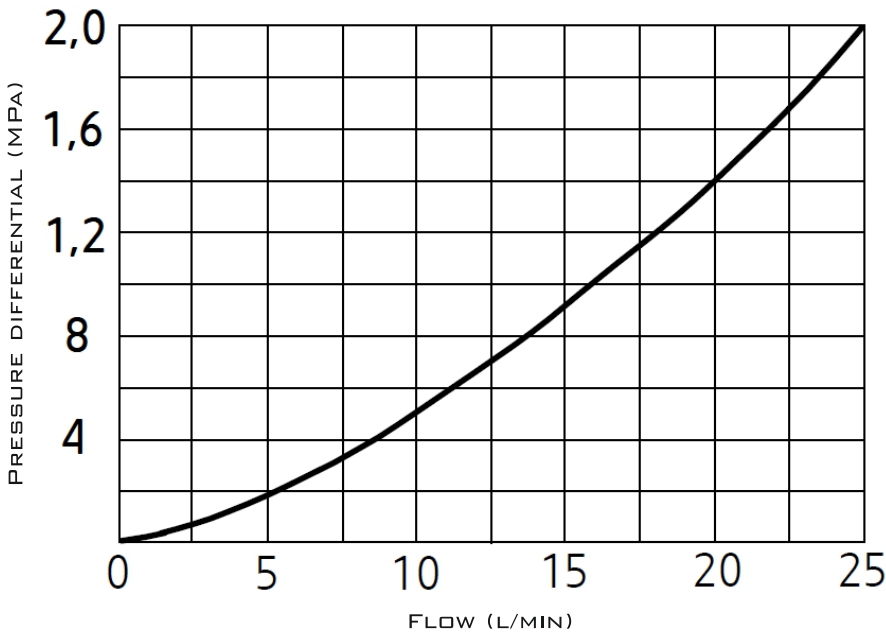
FLOW DIRECTION A → B



FLOW DIRECTION A → B



FLOW RESISTANCE THROUGH CHECK VALVE - 2FRM6...R
FLOW DIRECTION B → A



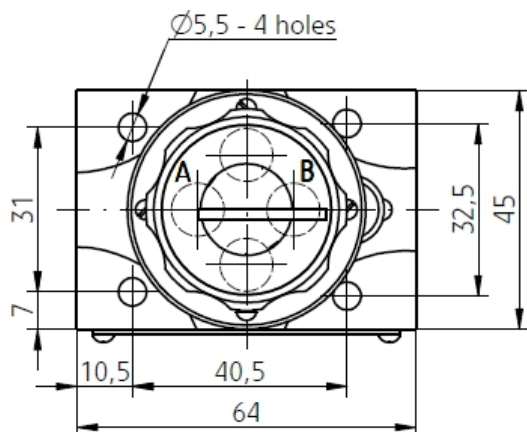
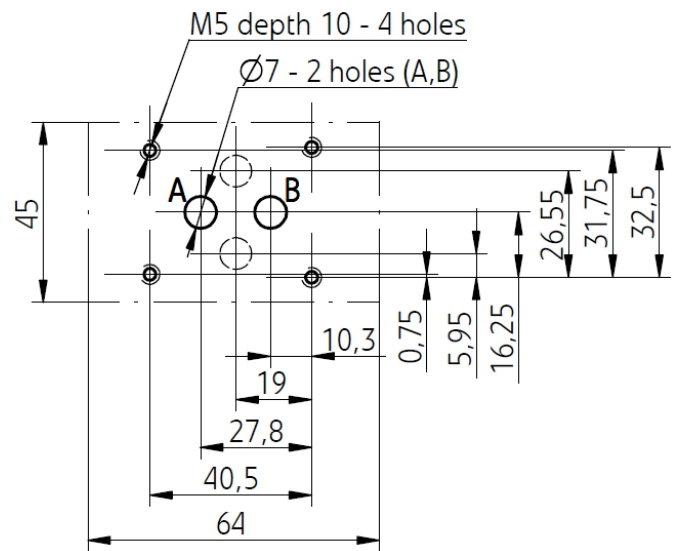
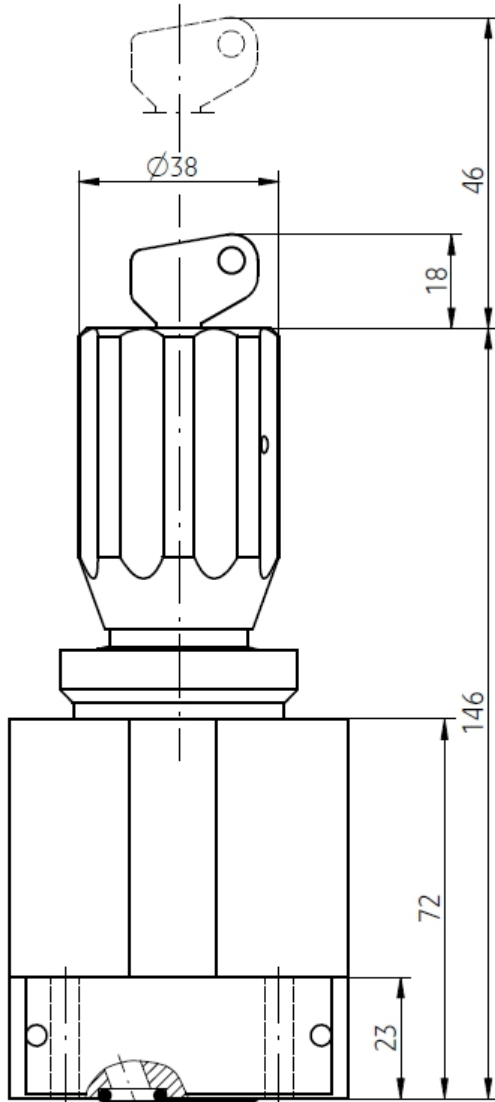


VALVOLE DI FLUSSO

2FRM6

FLOW CONTROL VALVES

SUBPLATE INSTALLATION DIMENSIONS



2FRM6

VALVOLE DI FLUSSO



FLOW CONTROL VALVES

ORDER CODE

2FRM	6			6						
------	---	--	--	---	--	--	--	--	--	--

6=6 SIZE

A=WITH EXTERNAL SWITCH OF PRESSURE COMPENSATION (RESTRAIN THROB WHEN START)
B=WITHOUT EXTERNAL SWITCH OF PRESSURE COMPENSATION

3=SCALE KNOB CAN BE LOCKED
7=WITH SCALE KNOB

6=WHEN SCALE IS AT 0 POSITION, IT CORRESPONDS TO PORT P

EXPLAIN OTHER DETAILS

NO CODE=NBR SEALS
V=FKM SEALS

R=WITH CHECK VALVE
M=WITHOUT CHECK VALVE

1.5Q=TO 1.5 L/MIN
3Q=TO 3 L/MIN
6Q=TO 6 L/MIN
10Q=TO 10 L/MIN
16Q=TO 16 L/MIN
25Q=TO 25 L/MIN

20=20 SERIES
(20-29: SHAPE INTERCHNGEABLE)