



VALVOLE DI FLUSSO

2FRM10, 16

FLOW CONTROL VALVES

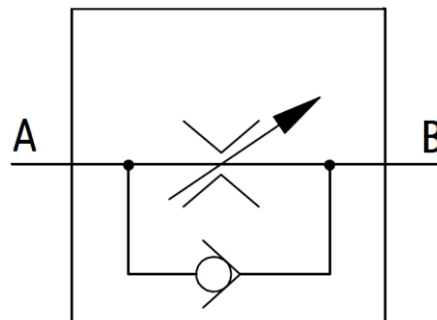
2FRM10 AND 2FRM16 SERIES ARE RESTRICTIVE FLOW REGULATORS, WITHOUT AFFECTED BY PRESSURE AND TEMPERATURE. THIS VALVES MAY BE MOUNTED IN A HYDRAULIC CIRCUIT IN ANY POSITION.



TECHNICAL DATA

SIZE	10	16
MAX. FLOW RATE (L/MIN)	50	160
OPERATING PRESSURE (MPa)	31.5	
FLUID TEMPERATURE (°C)	-20 - 70	
FILTRATION ACCURACY (µm)	25 (Q<5 L/MIN); 10 (Q<0.5 L/MIN)	
WEIGHT (KG)	3.4	7.6
VALVE BODY (MATERIAL)	CASTING PHOSPHATING SURFACE	

SCHEMES



2FRM10, 16...

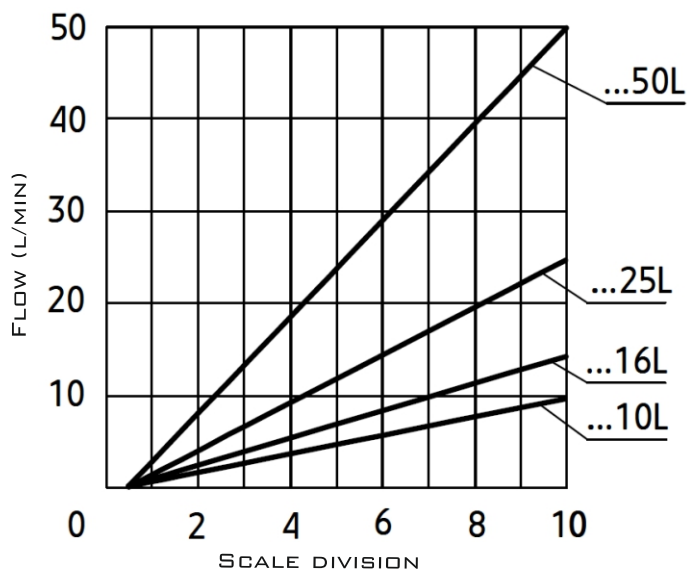


CHARACTERISTIC CURVES

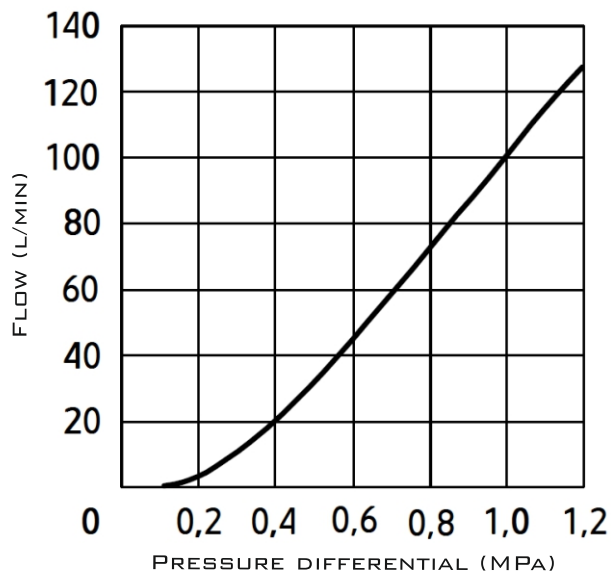
CHARACTERISTIC CURVES OF FLOW RELATION TO HANDKNOB POSITION ON SCALE FOR FLOW CONTROL VALVES WITH DIFFERENT SETTABLE FLOW RANGES

2FRM10

FLOW DIRECTION A → B

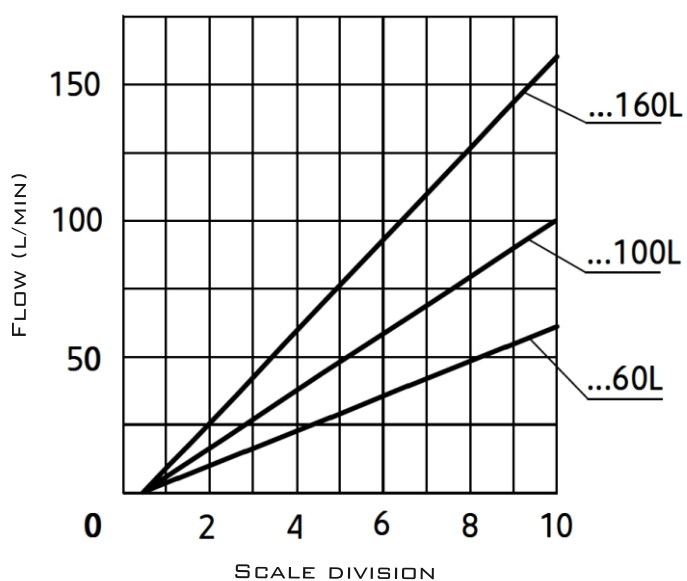


FLOW RESISTANCE THROUGH CHECK VALVE
FLOW DIRECTION B → A

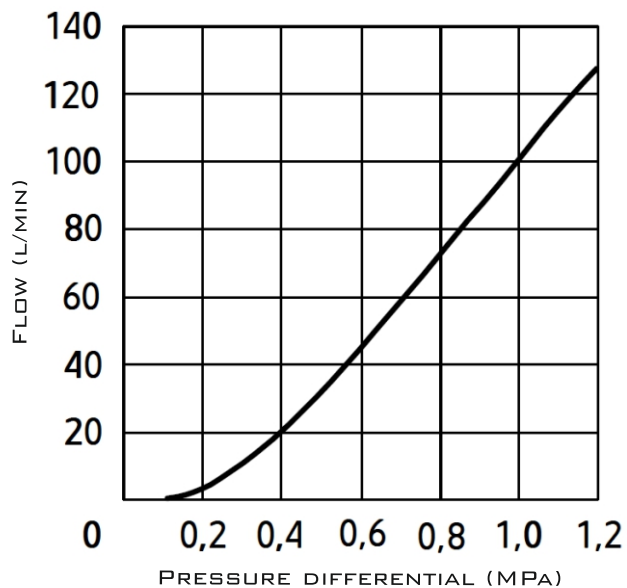


2FRM16

FLOW DIRECTION A → B



FLOW RESISTANCE THROUGH CHECK VALVE
FLOW DIRECTION B → A



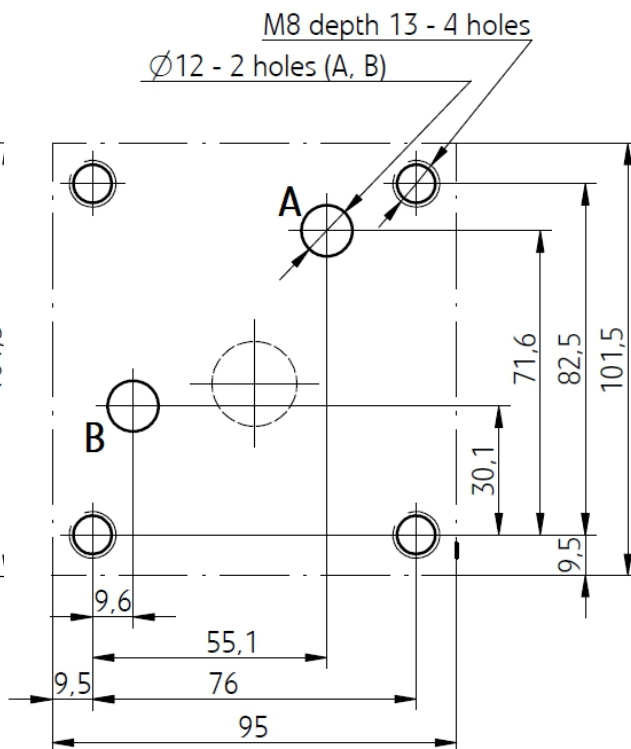
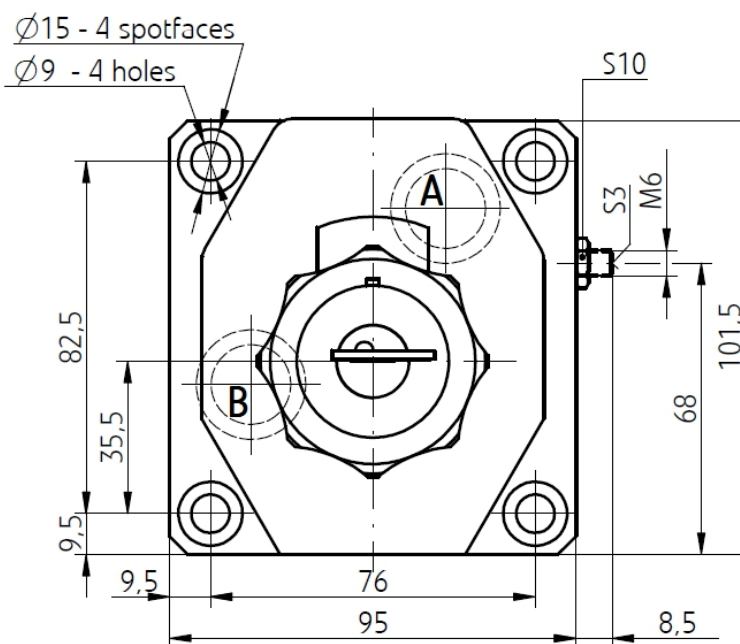
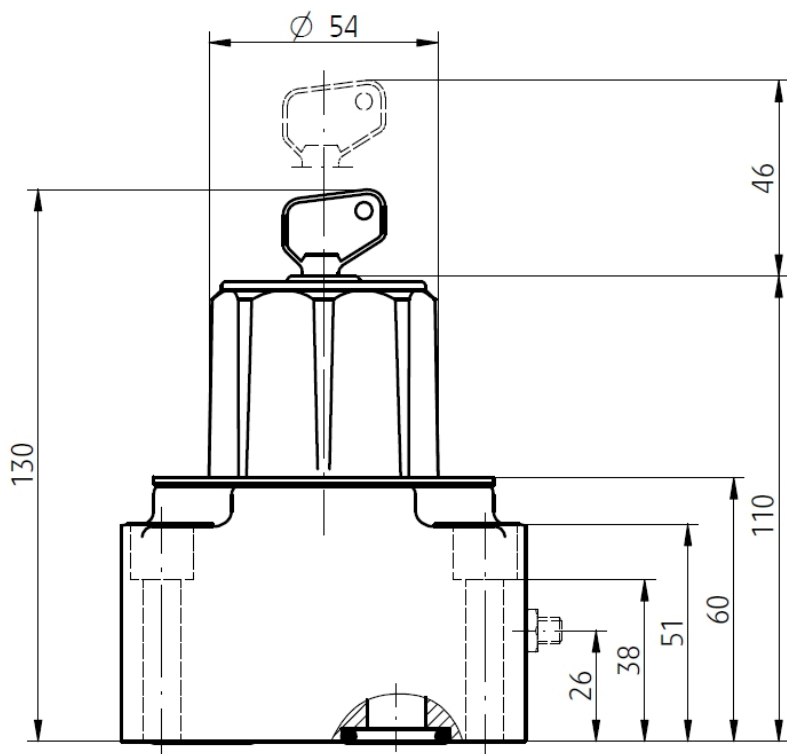


VALVOLE DI FLUSSO

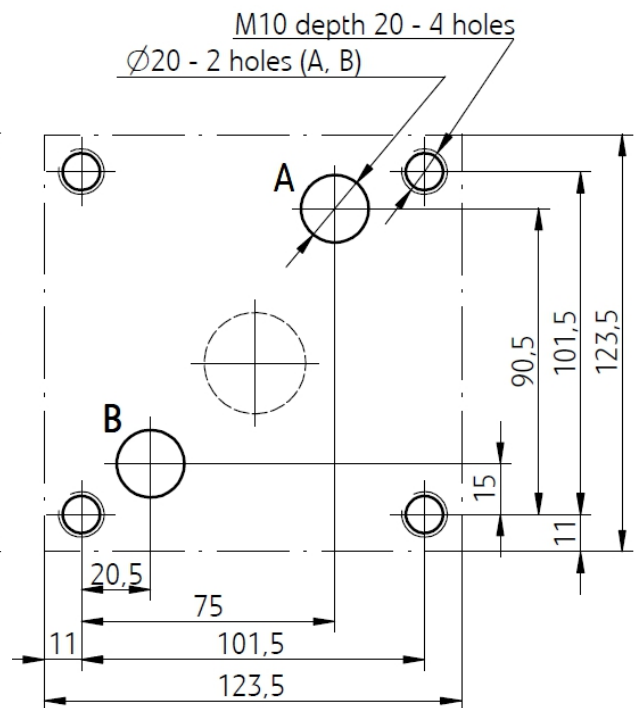
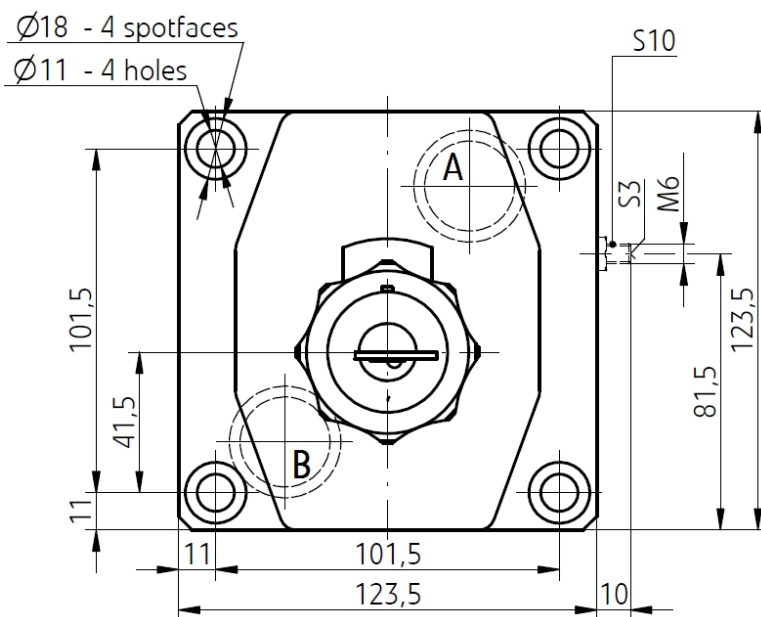
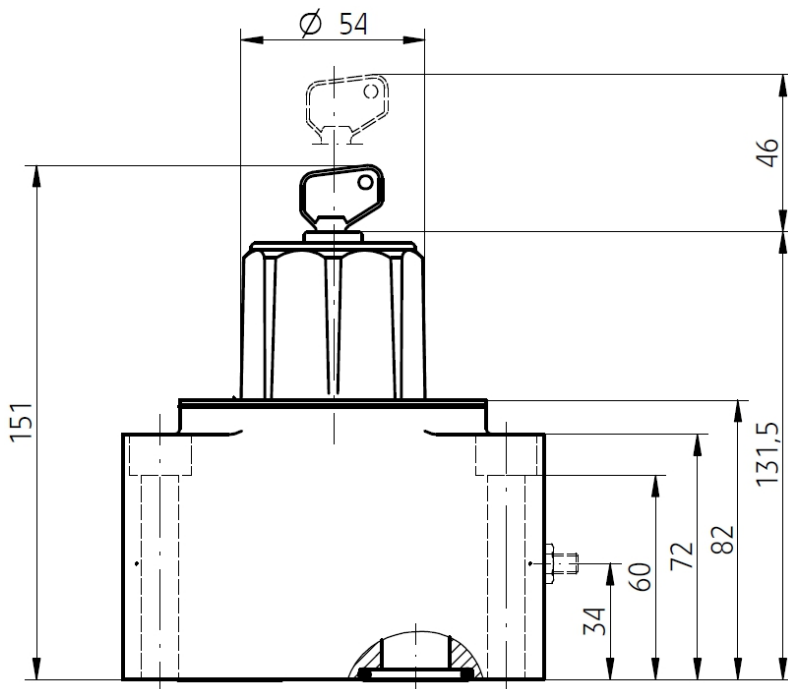
2FRM10, 16

FLOW CONTROL VALVES

SUBPLATE INSTALLATION DIMENSIONS 2FRM10



SUBPLATE INSTALLATION DIMENSIONS 2FRM 16





VALVOLE DI FLUSSO

2FRM10, 16

FLOW CONTROL VALVES

ORDER CODE

2FRM

10=10 SIZE
16=16 SIZE

21=21 SERIES
(20-29 UNCHANGED INSTALLATION
AND CONNECTION DIMENSION)

FLOW DIRECTION A → B:

SIZE 10, LINEARITY	SIZE 16, LINEARITY
2 L/MIN=2L	40 L/MIN=40L
5 L/MIN=5L	60 L/MIN=60L
10 L/MIN=10L	80 L/MIN=80L
16 L/MIN=16L	100 L/MIN=100L
25 L/MIN=25L	125 L/MIN=125L
35 L/MIN=35L	160 L/MIN=160L
50 L/MIN=50L	

EXPLAIN OTHER DETAILS

NO CODE=MINERAL OIL MEET
DIN 51529 AND 51525
V=ORGANIC PHOSPHATE

NO CODE=WITHOUT PRESSURE
COMPENSATION LIMIT
B=WITH PRESSURE
COMPENSATION LIMIT