

ACCUMULATOR CHARGING AND TEST DEVICE

ACCUMULATOR CHARGING DEVICE IS USED FOR:

- CHARGING,
- INFLATING,
- PRESSURE CONTROL, OPERATIONS.

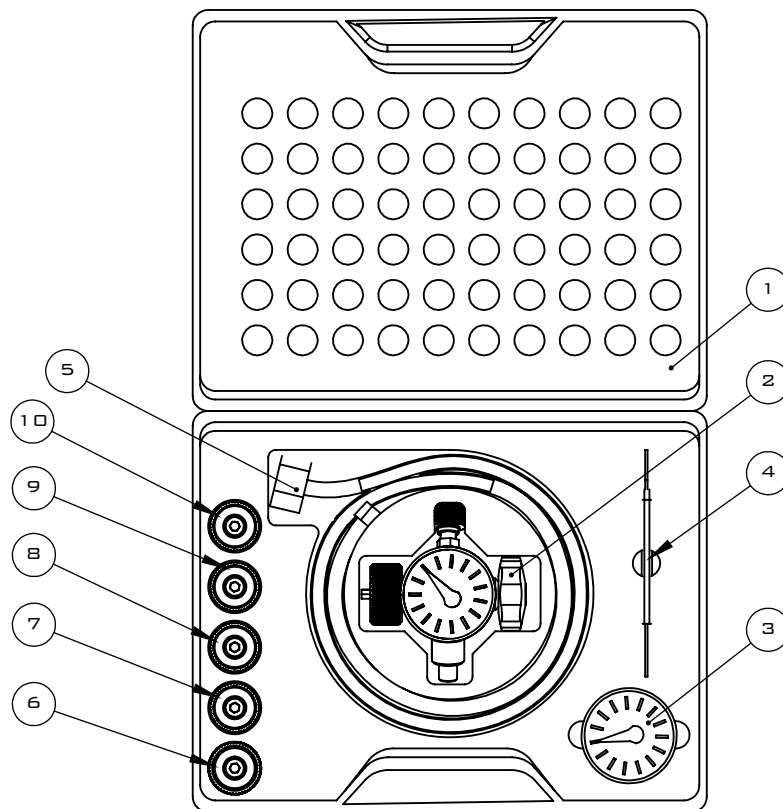
“AD1.1” HAS BEEN DESIGNED FOR ALL TYPES ACCUMULATOR.


TECHNICAL DATA

OPERATING PRESSURE (MPA)	25
CHARGING HOSE	W24,32x1/14 – M14x1,5, CHARGING HOSE HEIGHT: 2 M
	M14 x 1,5 CHARGING HOSE HEIGHT: 2 M
ADAPTORS	UNF 5/8”-18
	UNF 5/16”-24
	UNF 7/8”-14
	G 1/4”
	M14X1.5
MANOMETERS	∅63 – 250 BAR BACK CONNECTION DRY TYPE
	∅63 – 100 BAR BACK CONNECTION DRY TYPE

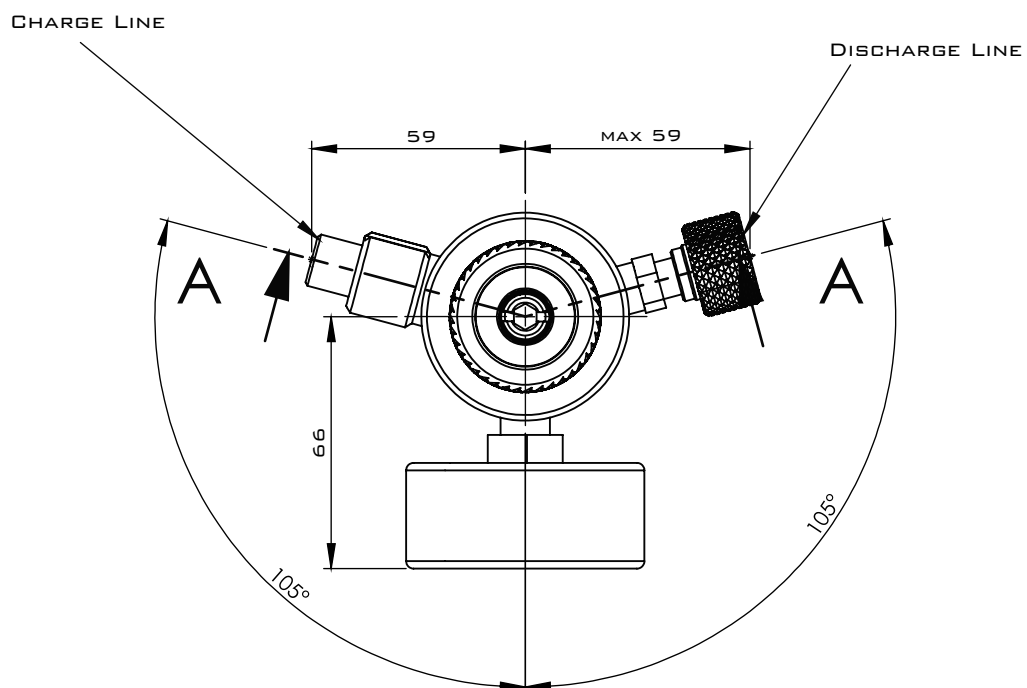
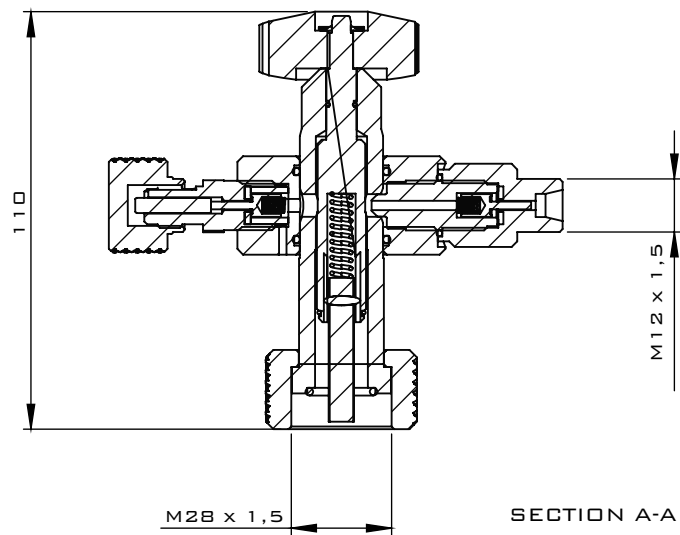
ACCUMULATOR CHARGING AND TEST DEVICE

CONTENT LIST



No.	DESCRIPTION	QTY
1	ACCUMULATOR CHARGE DEVICE CUSTOM BOX	1
2	ACCUMULATOR CHARGE AND TEST DEVICE	1
3	Ø63-250 BR. BACK CON. DRY TYPE MANOMETER	1
4	HEX WRENCH 6	1
5	M16x1,5 - M12x1,5 CHARGING HOSE	1
6	7/8" - 14 UNF ADAPTOR	1
7	G 1/4 ADAPTOR	1
8	UNF 5/16" - 24 ADAPTOR	1
9	UNF 5/8" - 18 ADAPTOR	1
10	M14x1,5 ADAPTOR	1

DIMENSIONS



DIMENSIONS

