



VALVOLE DI RITEGNO

SV/SL 6

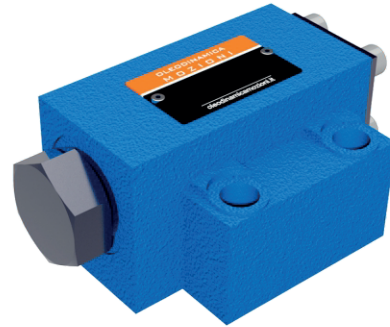
PILOT OPERATED CHECK VALVES

THE ISOLATOR VALVE TYPE SV/SL IS A PILOT OPERATED CHECK VALVE FOR SUBPLATE MOUNTING. IT IS USED FOR THE LEAK-FREE BLOCKING OF ONE ACTUATOR PORT, ALSO IN CASE OF LONGER STANDSTILL TIMES.

IN ORDER TO ENSURE THAT THE SEAT VALVE ACTIVELY OPENS, THE PRESSURE CONDITIONS ON BOTH SIDES OF THE CONTROL SPOOL ARE JUST AS IMPORTANT AS THE AREA RATIO AT THE SEAT POPPET.

THIS RESULTS IN THE FOLLOWING AVAILABLE OPTIONS FOR THE TYPES:

- SV (LARGE SPOOL FACE),
- SL (SMALL FRONT FACE).

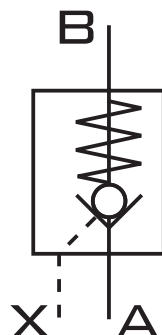


TECHNICAL DATA

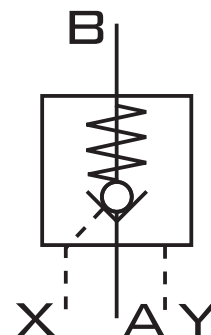
SIZE	6
MAX. FLOW RATE (L/MIN)	60
OPERATING PRESSURE (MPA)	31.5
FLUID TEMPERATURE (°C)	-30 - 80
FILTRATION ACCURACY (µM)	10
VALVE BODY (MATERIAL)	CASTING PHOSPHATING SURFACE
AREA RATIO- VALVE POPPET SURFACE/PISTON SURFACE	1:2,8
AREA RATIO- PILOT OPENING BALL SEAT SURFACE/PISTON SURFACE	1:12,2

SCHEMES

VERSION SV
(INTERNAL PILOT OIL DRAIN)



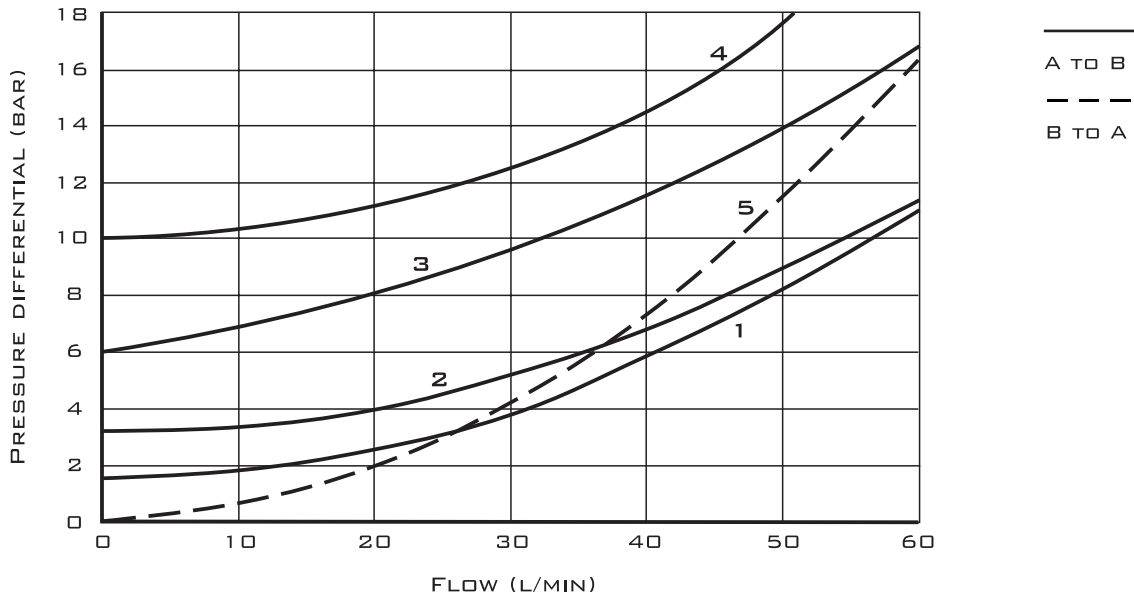
VERSION SL
(EXTERNAL PILOT OIL DRAIN)





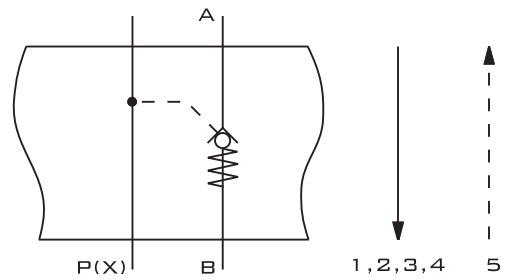
CHARACTERISTIC CURVES

$\Delta P-Q$ CHARACTERISTIC CURVES



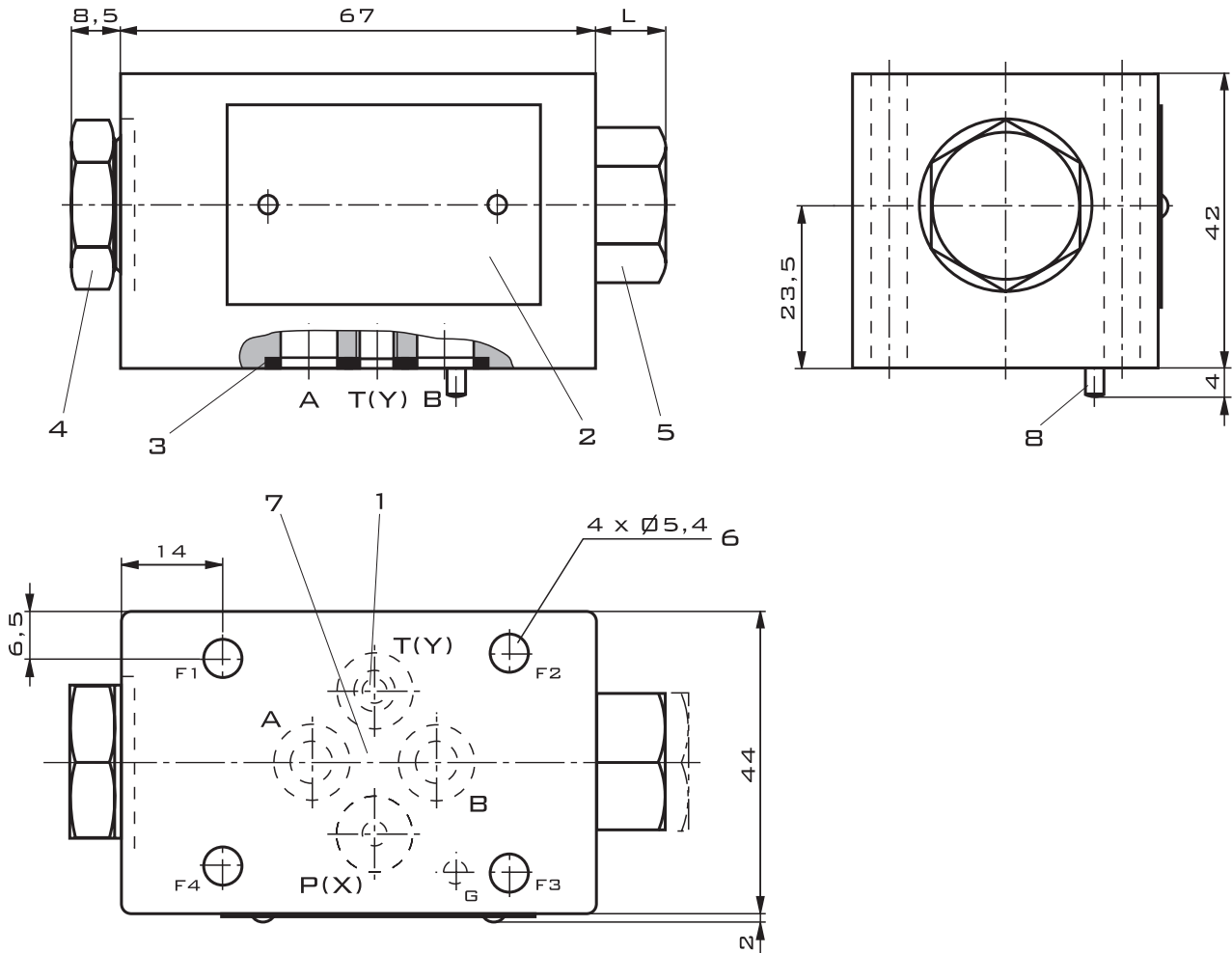
OPENING PRESSURE (BAR):

1	1.5
2	3
3	6
4	10
5	CHECK VALVE CONTROLLED OPEN VIA CONTROL SPOOL



SEE ALSO:
SV/SL 10-32

SUBPLATE INSTALLATION DIMENTIONS



VERSION	L IN MM	
	WITHOUT PRE-OPENING "B"	WITH PRE-OPENING "A"
1, 2, 3	11	21.5
4	14	-

- 1 PORT Y (M6 x1; CLOSED FOR TYPE SV)
- 2 NAME PLATE
- 3 IDENTICAL SEAL RINGS FOR PORTS A, B, P(X), (T)Y
- 4 PLUG SCREW SW24 (PILOT SPOOL), TIGHTENING TORQUE $M_A = 80^{+5}$ NM
- 5 PLUG SCREW SW22 (CHECK VALVE USES), TIGHTENING TORQUE $M_A = 25^{+5}$ NM
- 6 THROUGH HOLE FOR VALVE MOUNTING SCREWS
- 7 PORTING PATTERN ACCORDING TO ISO 4401-03-02-0-05 AND ISO 5781-03-04-0-00 (WITH LOCATING HOLE AND LOCATING PIN ISO 8752-3x8-ST)
- 8 LOCATING PIN ISO 8752-3x8-ST

SV/SL 6

VALVOLE DI RITEGNO



PILOT OPERATED CHECK VALVES

ORDER CODE

S		6	P			60		
---	--	---	---	--	--	----	--	--

V=PILOT OIL RETURN INTERNAL
L=PILOT OIL RETURN EXTERNAL

6=6 SIZE

P=SUBPLATE MOUNTING

A=WITH PRE-OPENING
B=WITHOUT PRE-OPENING

OPENING PRESSURE:
1, 2, 3, 4* - SEE CHARACTERISTIC CURVES (PAGE 2)

60= 60 SERIES

NO CODE=NONE CORROSION RESISTANCE
J50=GALVANIC COATING DIN 50979

NO CODE=NBR SEALS
V=FKM SEALS