



**PRESA DI CORRENTE**

# SOCKETS

G 12, G 24, G 110, W 110R, W 230R

SOCKETS (PLUG-IN CONNECTORS) USED IN OLEODINAMICA MOZIONI PRODUCTS, FOR EXAMPLE, WITH SOLENOIDS OF DIRECTIONAL CONTROL VALVES TYPE WE AND WEH.



## TECHNICAL DATA

ELECTRICAL CONNECTION IN ACCORDANCE WITH ISO4400/DIN 43650 WITHOUT LED

Version of electrical connection		Plug-in connector (control side)	Order code
Type of control	Control voltage		
G 12	12V DC	A	1476-00583360
	12V DC	B	1476-00583370
G 24	24V DC	A	1476-00583360
	24V DC	B	1476-00583370
G 110	110V DC	A	1476-00583360
	110V DC	B	1476-00583370
W 110 R	110V AC 50 Hz	A	1476-00565060
	110V AC 50 Hz	B	1476-00565050
W 230 R	230V AC 50 Hz	A	1476-00565030
	230V AC 50 Hz	B	1476-00565020

ELECTRICAL CONNECTION IN ACCORDANCE WITH ISO4400/DIN 43650 WITH LED

Version of electrical connection		Plug-in connector (control side)	LED color	Order code
Type of control	Control voltage			
G 12	12V DC	A	red	0000-00565440
	12V DC	B	red	0000-00565450
G 24	24V DC	A	red	0000-00564950
	24V DC	B	red	0000-00564960
G 110	110V DC	A	green	0000-00564970
	110V DC	B	green	0000-00564980
W 110 R	110V AC 50 Hz	A	red	1476-00565070
	110V AC 50 Hz	B		
W 230 R	230V AC 50 Hz	A	red	1476-00565040
	230V AC 50 Hz	B		

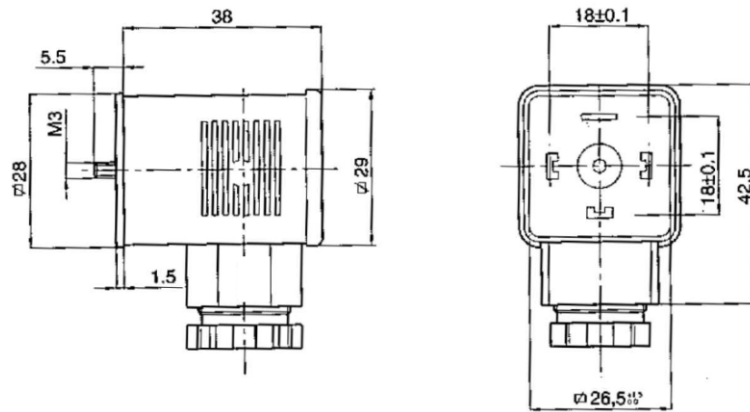
# SOCKETS

PRESA DI CORRENTE



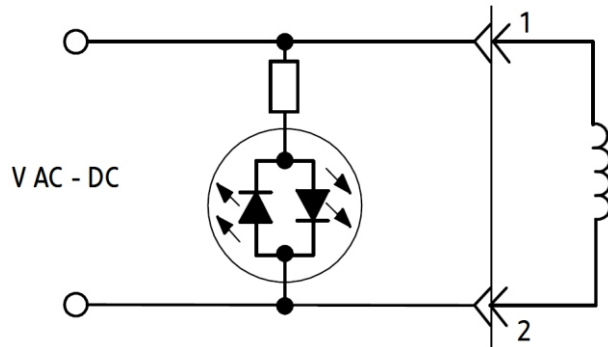
G12, G24, G110, W110R, W230R

## INSTALLATION DIMENSIONS



## ELECTRICAL SCHEMES

SOCKET TYPE Z4L OF CONTROL VOLTAGE: G12, G24, G110



SOCKET TYPE Z4L OF CONTROL VOLTAGE: W110R, W230R

