

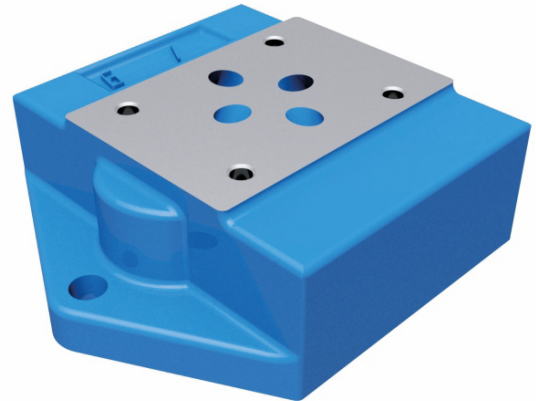
SUBPLATES WITH THREADED CONNECTIONS

SUBPLATES TYPE **G342/01** NOMINAL SIZE 6 (**NS6**) WITH THREADED CONNECTIONS ARE USED TO MOUNT DIRECTIONAL CONTROL VALVES, PRESSURE VALVES, CHECK VALVES WITH THE CONFIGURATION OF HOLES ON THE MOUNTING FACE IN ACCORDANCE WITH THE CONNECTIONS:

- DIN 24340 FORM A (NG6)
- ISO 440-03-02-0-94 (ISO 4401-03)
- CETOP RP 121H 4.2-4-03-320 (CETOP 03)

MAXIMUM WORKING PRESSURE: 32 MPa.

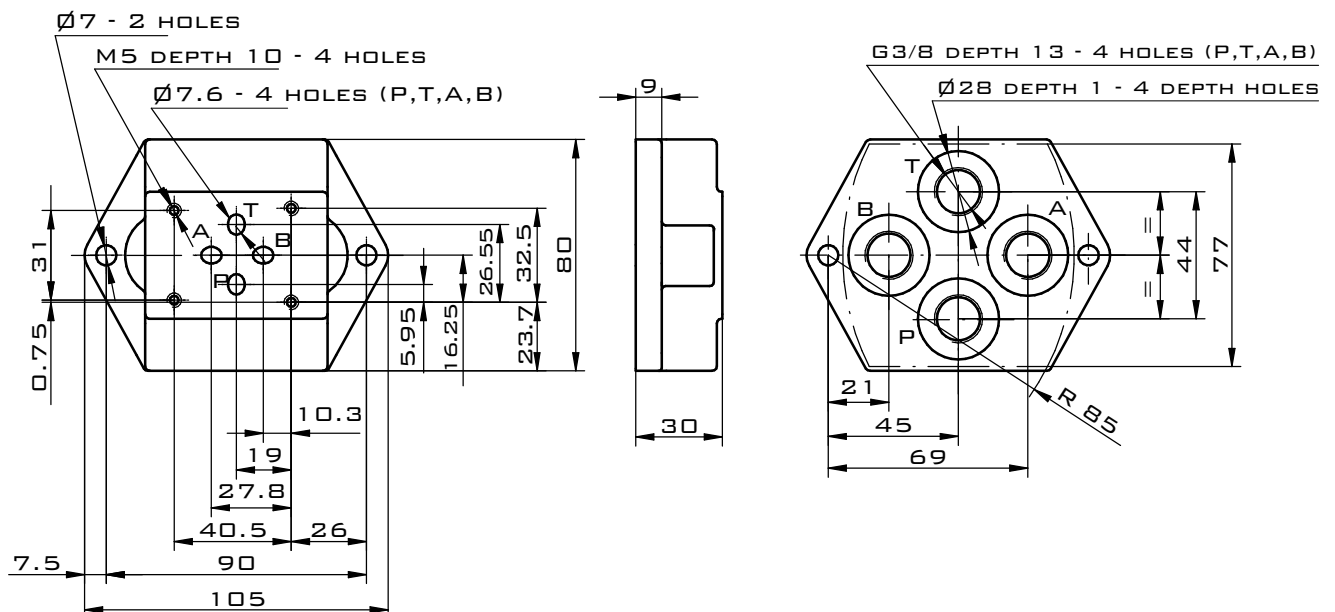
THREADED CONNECTION: G3/8".



THE RANGE OF HYDRAULIC ELEMENTS THAT CAN BE USED FOR SUBPLATE MOUNTING

HYDRAULIC ELEMENT	TYPE
DIRECTIONAL CONTROL VALVE	WE6, WH6, WMM6, WMD6
PRESSURE RELIEF VALVE	ZDB6
PRESSURE REDUCING VALVE, SANDWICH PLATE	ZDR6
THROTTLE VALVE, SANDWICH PLATE	Z2FS6
DOUBLE CHECK VALVE, PILOT OPERATED	Z2S6
CHECK VALVE, SANDWICH PLATE	Z1S6

SUBPLATE INSTALLATION DIMENSIONS



SUBPLATES WITH THREADED CONNECTIONS

SUBPLATES TYPE **G67/01** NOMINAL SIZE **10** (**NS10**) WITH THREADED CONNECTIONS ARE USED TO MOUNT DIRECTIONAL CONTROL VALVES, PRESSURE VALVES, CHECK VALVES WITH THE CONFIGURATION OF HOLES ON THE MOUNTING FACE IN ACCORDANCE WITH THE CONNECTIONS:

- DIN 24340 FORM A (NG10)
- ISO 440-05-04-0-94 (ISO 4401-05)
- CETOP RP 121H 4.2-4-05-320 (CETOP 05)

MAXIMUM WORKING PRESSURE: 35 MPA.

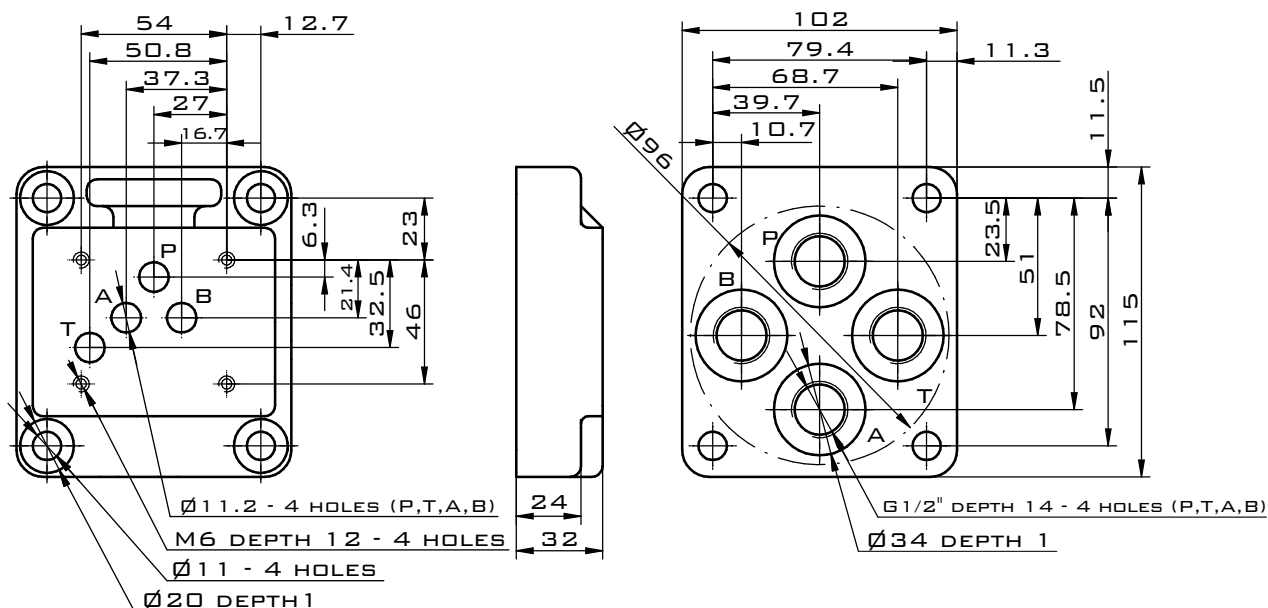
THREADED CONNECTION: G1/2".



THE RANGE OF HYDRAULIC ELEMENTS THAT CAN BE USED FOR SUBPLATE MOUNTING

HYDRAULIC ELEMENT	TYPE
DIRECTIONAL CONTROL VALVE	WE10, WH10, WMM10, WMD10
PRESSURE RELIEF VALVE	ZDB10
PRESSURE REDUCING VALVE, SANDWICH PLATE	ZDR10
THROTTLE VALVE, SANDWICH PLATE	Z2FS10
DOUBLE CHECK VALVE, PILOT OPERATED	Z2S10
CHECK VALVE, SANDWICH PLATE	Z1S10

SUBPLATE INSTALLATION DIMENSIONS



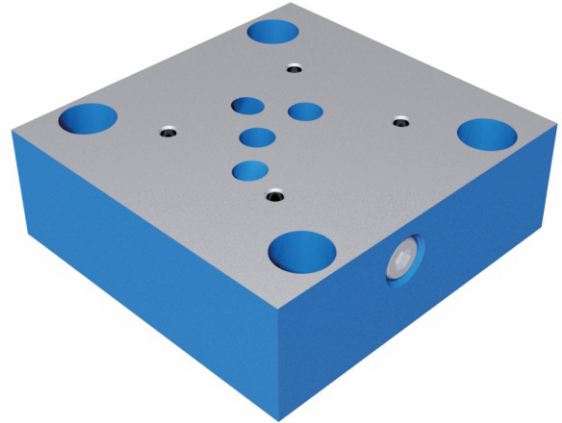
SUBPLATES WITH THREADED CONNECTIONS

SUBPLATES TYPE **G534/01** NOMINAL SIZE 10 (**NS10**) WITH THREADED CONNECTIONS ARE USED TO MOUNT DIRECTIONAL CONTROL VALVES, PRESSURE VALVES, CHECK VALVES WITH THE CONFIGURATION OF HOLES ON THE MOUNTING FACE IN ACCORDANCE WITH THE CONNECTIONS:

- DIN 24340 FORM A (NG10)
- ISO 440-05-04-0-94 (ISO 4401-05)
- CETOP RP 121H 4.2-4-05-320 (CETOP 05)

MAXIMUM WORKING PRESSURE: 35 MPA.

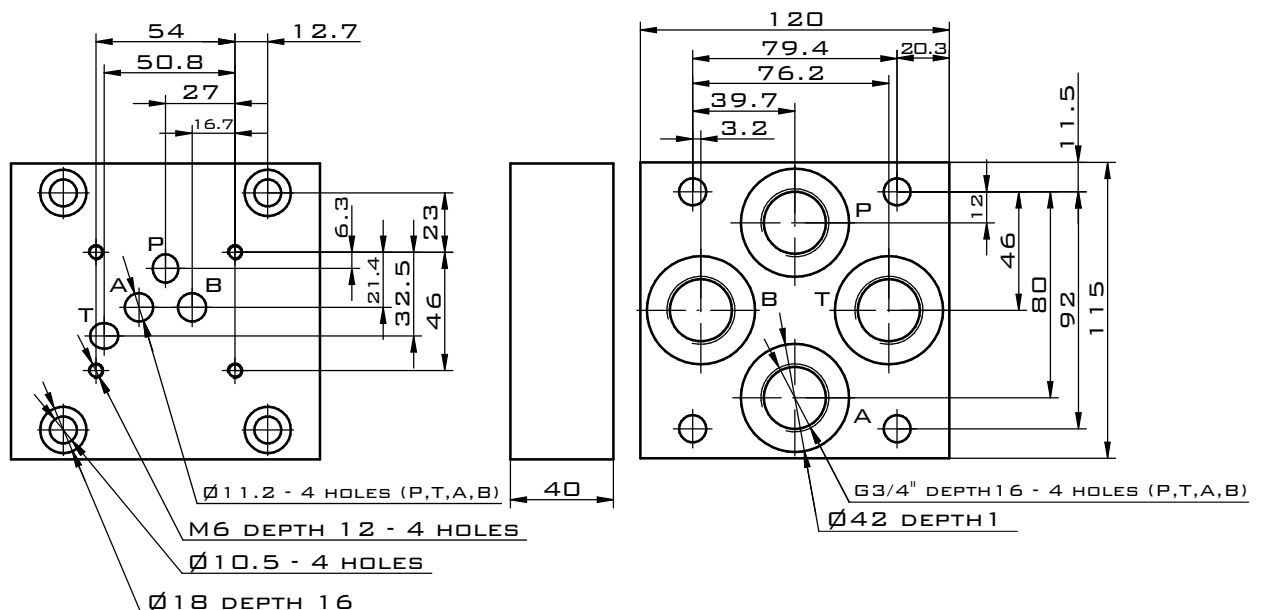
THREADED CONNECTION: G3/4".



THE RANGE OF HYDRAULIC ELEMENTS THAT CAN BE USED FOR SUBPLATE MOUNTING

HYDRAULIC ELEMENT	TYPE
DIRECTIONAL CONTROL VALVE	WE10, WH10, WMM10, WMD10
PRESSURE RELIEF VALVE	ZDB10
PRESSURE REDUCING VALVE, SANDWICH PLATE	ZDR10
THROTTLE VALVE, SANDWICH PLATE	Z2FS10
DOUBLE CHECK VALVE, PILOT OPERATED	Z2S10
CHECK VALVE, SANDWICH PLATE	Z1S10

SUBPLATE INSTALLATION DIMENSIONS



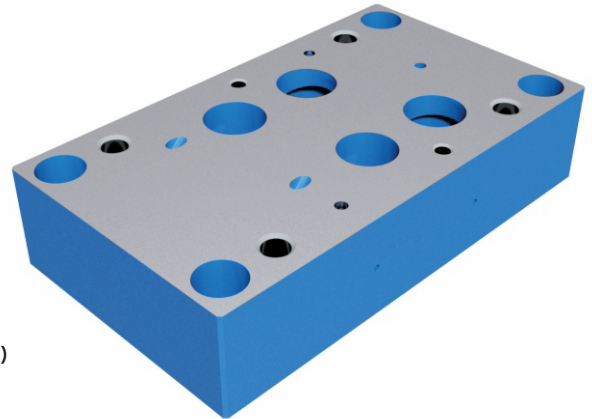
SUBPLATES WITH THREADED CONNECTIONS

SUBPLATES TYPE **G174/01** NOMINAL SIZE **16** (**NS16**) WITH THREADED CONNECTIONS ARE USED TO MOUNT DIRECTIONAL CONTROL VALVES, PRESSURE VALVES, CHECK VALVES WITH THE CONFIGURATION OF HOLES ON THE MOUNTING FACE IN ACCORDANCE WITH THE CONNECTIONS:

- DIN 24340 FORM A (NG16)
- ISO 440-07-06-0-94 (ISO 4401-07)
- CETOP RP 121H 4.2-4-07-320 (CETOP 07)

MAXIMUM WORKING PRESSURE: 35 MPA.

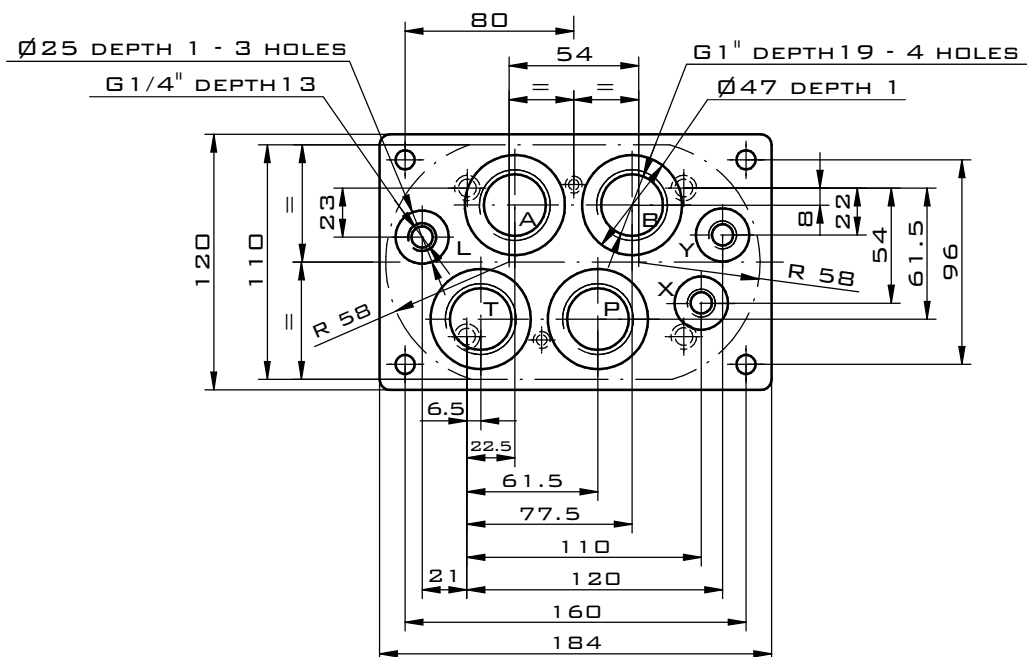
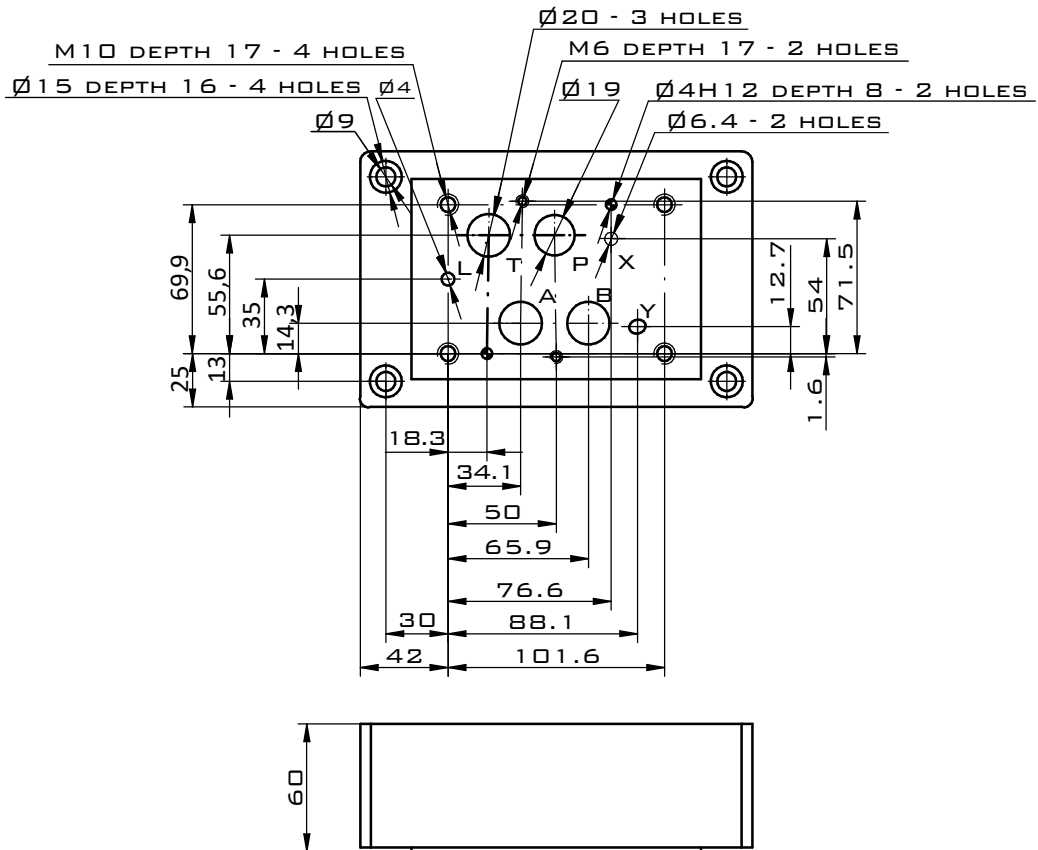
THREADED CONNECTION: G1".



THE RANGE OF HYDRAULIC ELEMENTS THAT CAN BE USED FOR SUBPLATE MOUNTING

HYDRAULIC ELEMENT	TYPE
DIRECTIONAL CONTROL VALVE	WEH16, WH16, WMM16
THROTTLE VALVE, SANDWICH PLATE	Z2FS16
DOUBLE CHECK VALVE, PILOT OPERATED	Z2S16

SUBPLATE INSTALLATION DIMENSIONS



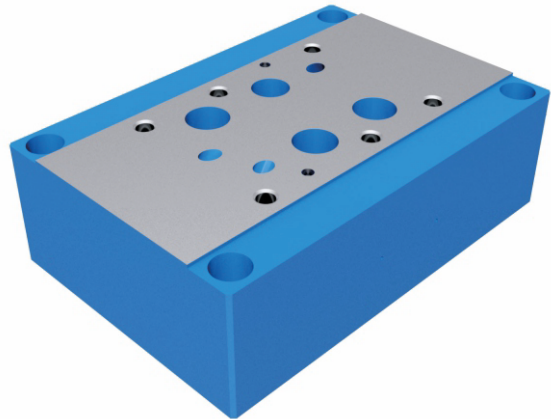
SUBPLATES WITH THREADED CONNECTIONS

SUBPLATES TYPE **G156/01** NOMINAL SIZE **25 (NS25)** WITH THREADED CONNECTIONS ARE USED TO MOUNT DIRECTIONAL CONTROL VALVES, PRESSURE VALVES, CHECK VALVES WITH THE CONFIGURATION OF HOLES ON THE MOUNTING FACE IN ACCORDANCE WITH THE CONNECTIONS:

- DIN 24340 FORM A (NG25)
- ISO 440-08-07-0-94 (ISO 4401-08)
- CETOP RP 121H 4.2-4-08-320 (CETOP 08)

MAXIMUM WORKING PRESSURE: 35 MPA.

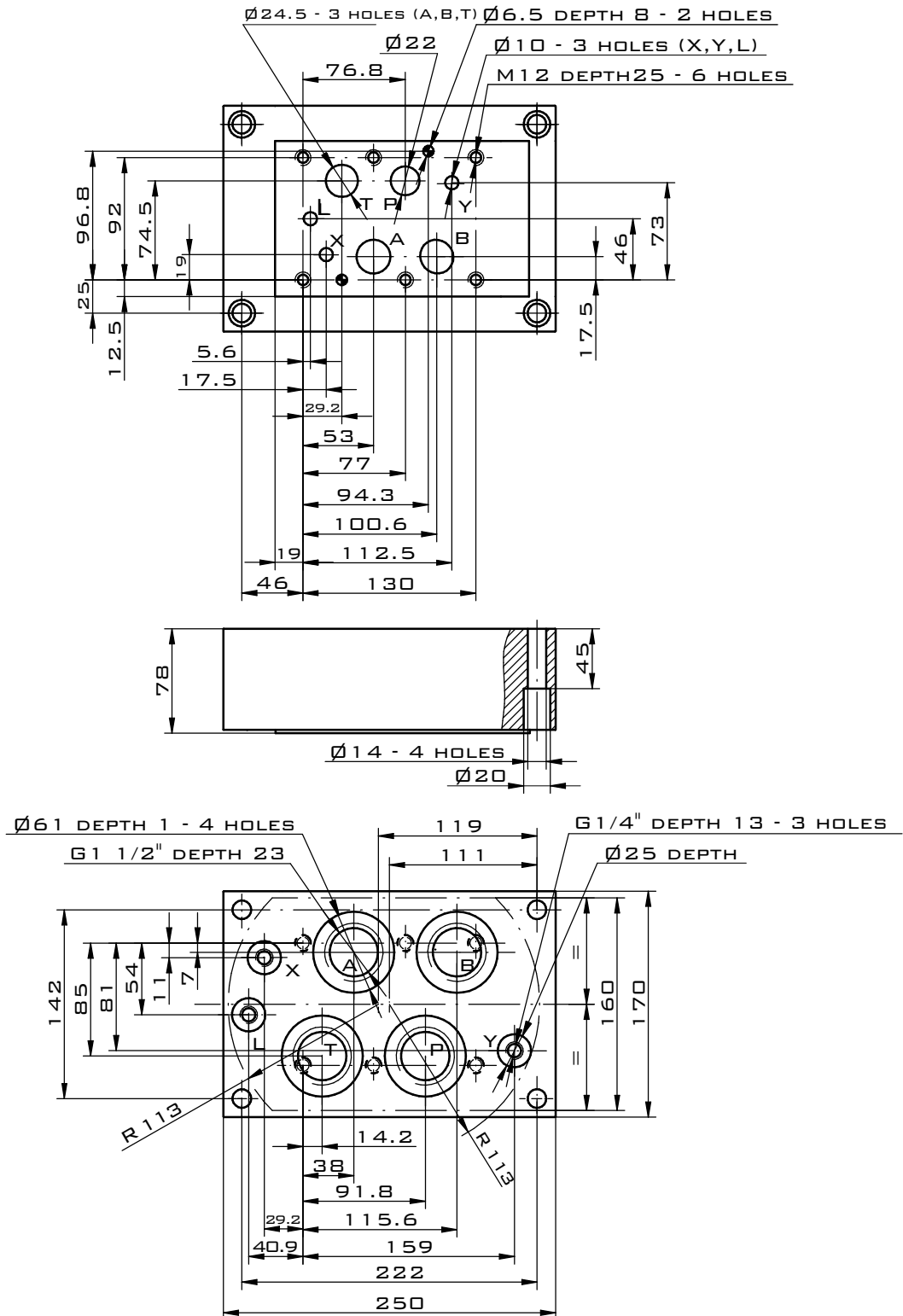
THREADED CONNECTION: G1 1/2".



THE RANGE OF HYDRAULIC ELEMENTS THAT CAN BE USED FOR SUBPLATE MOUNTING

HYDRAULIC ELEMENT	TYPE
DIRECTIONAL CONTROL VALVE	WEH25, WH25, WMM25
THROTTLE VALVE, SANDWICH PLATE	Z2FS25
DOUBLE CHECK VALVE, PILOT OPERATED	Z2S25

SUBPLATE INSTALLATION DIMENSIONS



SUBPLATES WITH THREADED CONNECTIONS

SUBPLATES TYPE **G157/01** NOMINAL SIZE **32 (NS32)** WITH THREADED CONNECTIONS ARE USED TO MOUNT DIRECTIONAL CONTROL VALVES, PRESSURE VALVES, CHECK VALVES WITH THE CONFIGURATION OF HOLES ON THE MOUNTING FACE IN ACCORDANCE WITH THE CONNECTIONS:

- DIN 24340 FORM A (NG32)
- ISO 440-10-09-0-94 (ISO 4401-10)
- CETOP RP 121H 4.2-4-10-320 (CETOP 10)

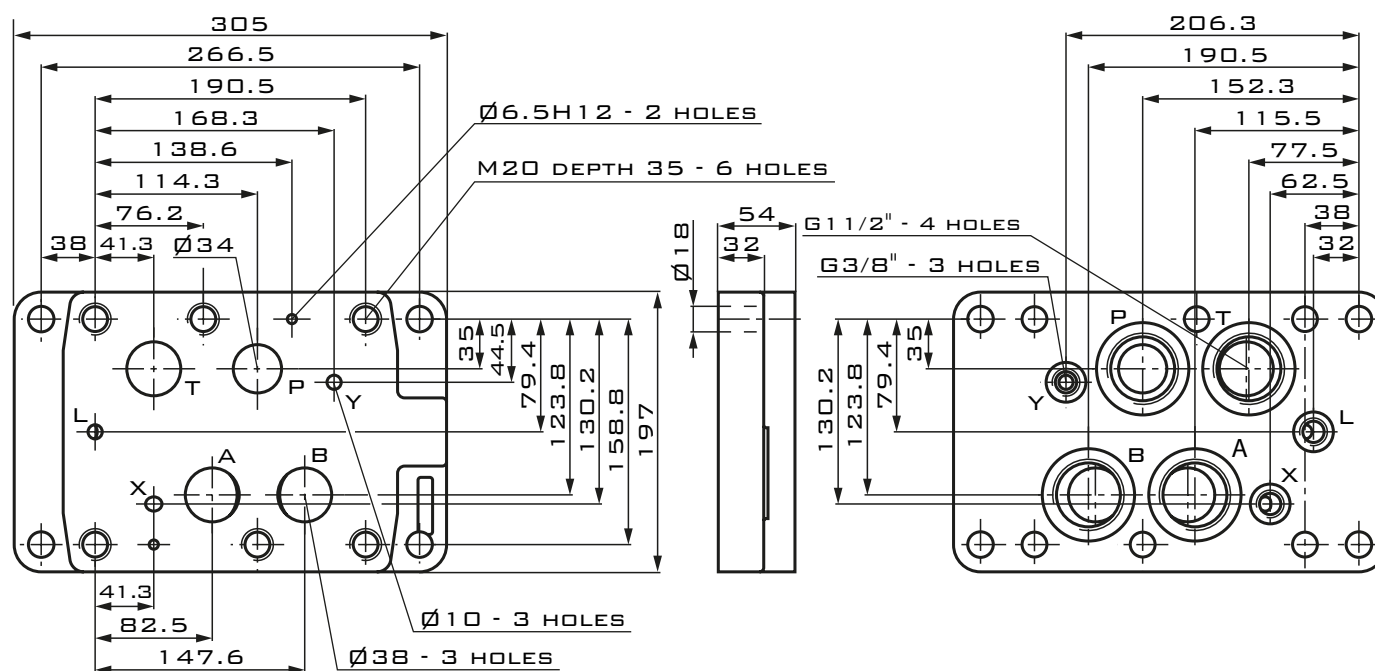
MAXIMUM WORKING PRESSURE: 35 MPA.

THREADED CONNECTION: G1 1/2".

THE RANGE OF HYDRAULIC ELEMENTS THAT CAN BE USED FOR SUBPLATE MOUNTING

HYDRAULIC ELEMENT	TYPE
DIRECTIONAL CONTROL VALVE	WEH32, WH32, WMM32
THROTTLE VALVE, SANDWICH PLATE	Z2FS32
DOUBLE CHECK VALVE, PILOT OPERATED	Z2S32

SUBPLATE INSTALLATION DIMENSIONS



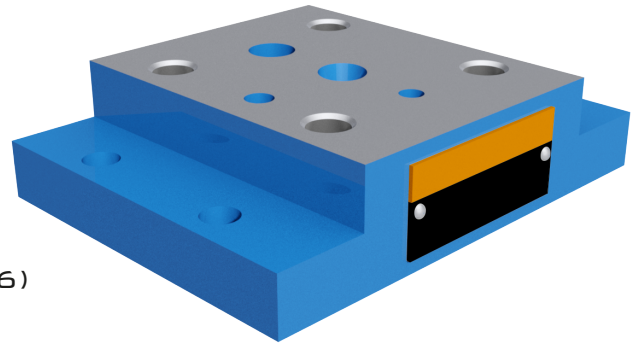
SUBPLATES WITH THREADED CONNECTIONS

SUBPLATES TYPE **G546/01** NOMINAL SIZE **10** (**NS10**) WITH THREADED CONNECTIONS ARE USED TO MOUNT PRESSURE RELIEF VALVES WITH THE CONFIGURATION OF HOLES ON THE MOUNTING FACE IN ACCORDANCE WITH THE CONNECTIONS:

- DIN 24340 FORM E (NG10)
- ISO 6264-06-09-1-97 (ISO 6264-06)
- CETOP RP 121H 4.2-2-R06 (CETOP R06)

MAXIMUM WORKING PRESSURE: 35 MPa.

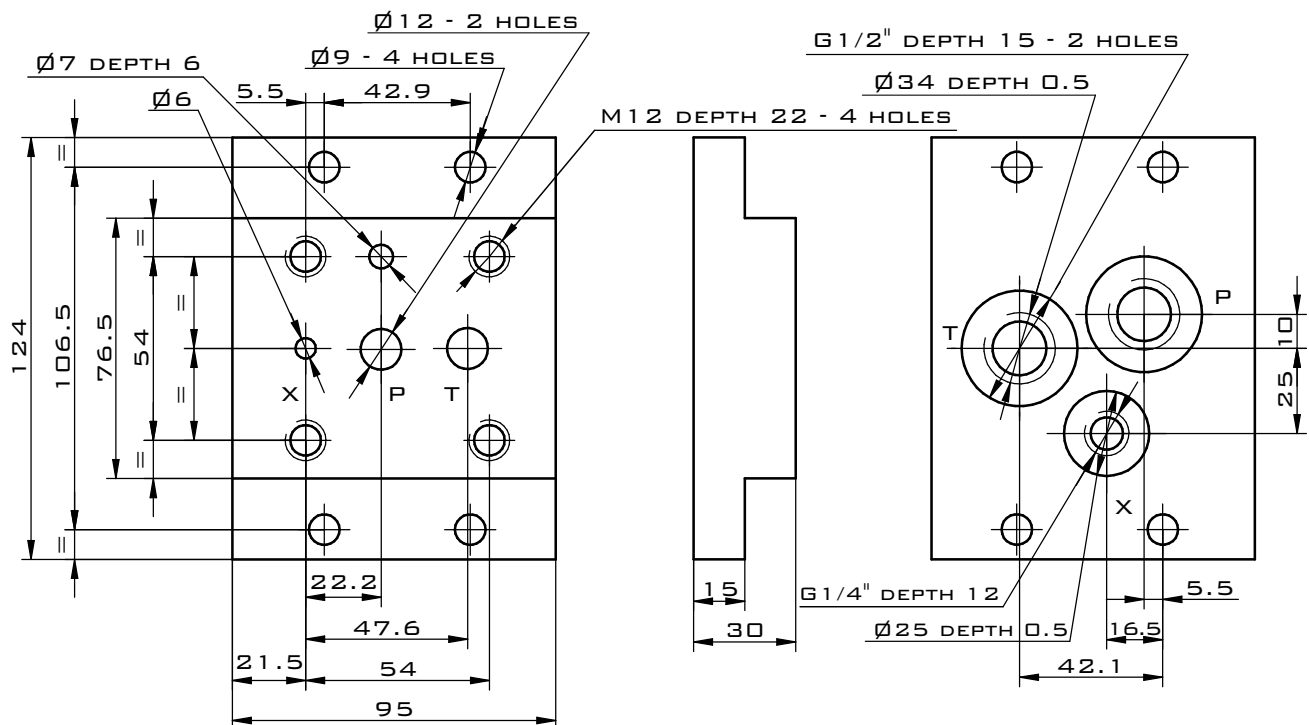
THREADED CONNECTION: G1/2".



THE RANGE OF HYDRAULIC ELEMENTS THAT CAN BE USED FOR SUBPLATE MOUNTING

HYDRAULIC ELEMENT	TYPE
PRESSURE RELIEF VALVE	DB10, DBW10

SUBPLATE INSTALLATION DIMENSIONS



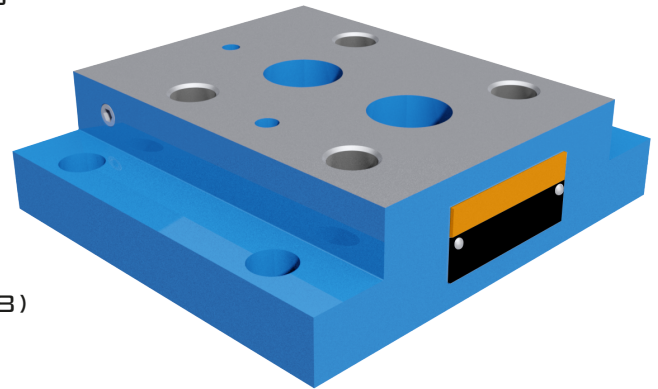
SUBPLATES WITH THREADED CONNECTIONS

SUBPLATES TYPE **G409/01** NOMINAL SIZE 10 (**NS20**) WITH THREADED CONNECTIONS ARE USED TO MOUNT PRESSURE RELIEF VALVES WITH THE CONFIGURATION OF HOLES ON THE MOUNTING FACE IN ACCORDANCE WITH THE CONNECTIONS:

- DIN 24340 FORM E (NG25)
- ISO 6264-08-13-1-97 (ISO 6264-08)
- CETOP RP 121H 4.2-2-R08 (CETOP R08)

MAXIMUM WORKING PRESSURE: 35 MPa.

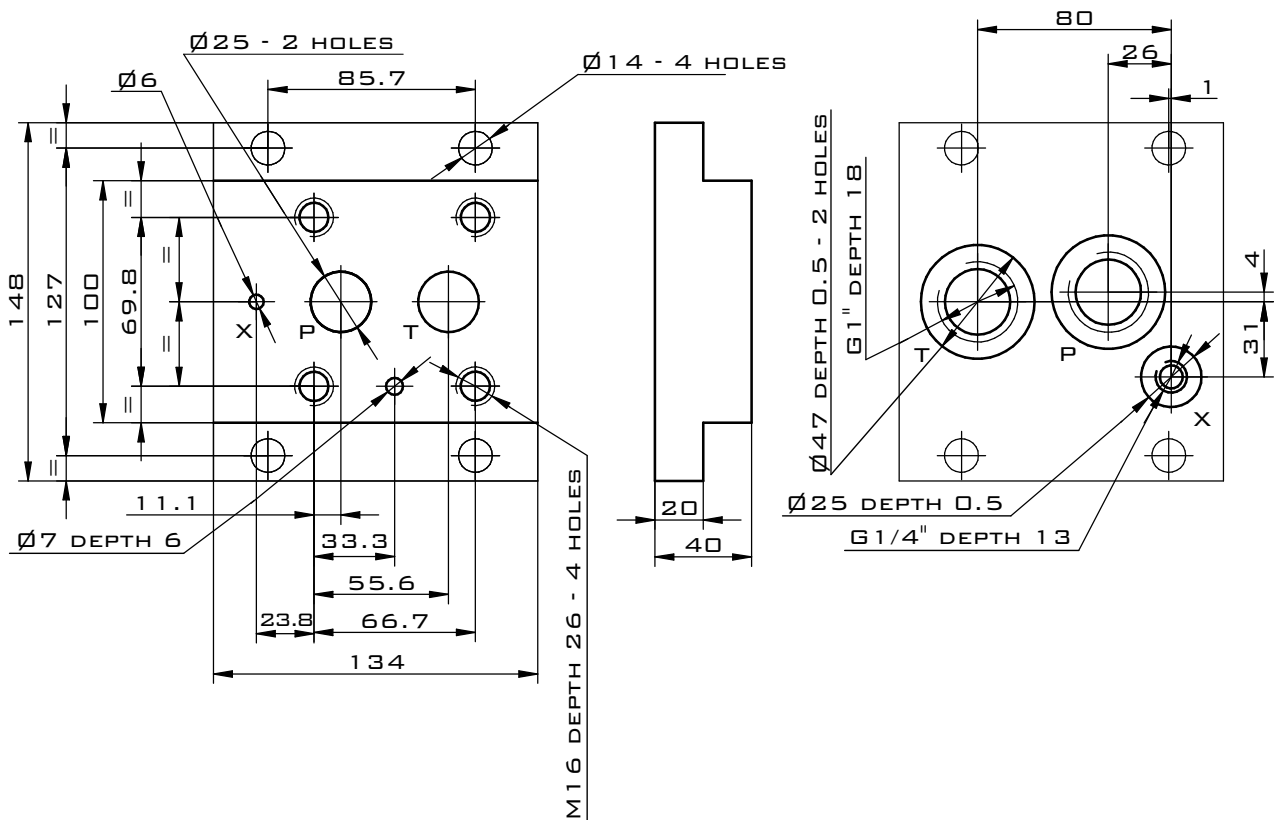
THREADED CONNECTION: G1".



THE RANGE OF HYDRAULIC ELEMENTS THAT CAN BE USED FOR SUBPLATE MOUNTING

HYDRAULIC ELEMENT	TYPE
PRESSURE RELIEF VALVE	DB20, DBW20

SUBPLATE INSTALLATION DIMENSIONS



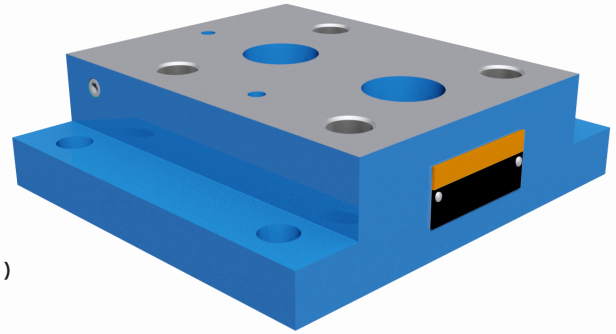
SUBPLATES WITH THREADED CONNECTIONS

SUBPLATES TYPE **G411/01** NOMINAL SIZE **30** (**NS30**) WITH THREADED CONNECTIONS ARE USED TO MOUNT PRESSURE RELIEF VALVES WITH THE CONFIGURATION OF HOLES ON THE MOUNTING FACE IN ACCORDANCE WITH THE CONNECTIONS:

- DIN 24340 FORM E (NG32)
- ISO 6264-10-17-1-97 (ISO 6264-10)
- CETOP RP 121H 4.2-2-R10 (CETOP R10)

MAXIMUM WORKING PRESSURE: 35 MPa.

THREADED CONNECTION: G1 1/2".



THE RANGE OF HYDRAULIC ELEMENTS THAT CAN BE USED FOR SUBPLATE MOUNTING

HYDRAULIC ELEMENT	TYPE
PRESSURE RELIEF VALVE	DB30, DBW30

SUBPLATE INSTALLATION DIMENSIONS

