



## Description

The sensors of series P16 are piezoresistive based on ceramic. Measurement cubicle has excellent long life stability and over load resistance. The transducers supply high accuracy during measure range and decrease the effect of hysteresis. Pressure transmitter's zero point which are designed from PNOMEK R&D engineers, can be set according to customer specifications.

- Long time stability thanks to piezoresistive ceramic cubicle measurement.
- Stainless body and ultra compact design.
- Excellent measurement until 600 bar.
- It can be set according to customer specifications.
- Normal it has double resistance to vibration compare to industrial standards.

## Application

- Hydraulic and mobile hydraulics
- Pneumatics
- Heavy-Duty machines industry
- Media; Compressed air, liquids, gases.

## Technical Features

Mechanical Connection Type : G1/4" - G1/8" - 1/4"BSPT - 1/8"BSPT - M10x1,0 - M12x1,5 - 1/8"NPT - 1/4"NPT  
Accuracy @ 25°C : < %  $\pm 0,5$  FS  
Working temperature : -20°C...+110°C  
Reaction time : < 5 ms  
Shock Test ( DIN EN 60068-2-27:1993 ) : 30 g  
Body Material : 316L Stainless or Brass  
Viscosity Range : 10 ile 800 mm<sup>2</sup> /sec  
Output : 4 ... 20mA - 4 ...20mA (3 cabled) - 0 ... 10V - 0 ... 5V - 1 ... 5V - 0,5 ... 4,5V - 0,5 ... 4,5V (Ratiometric)

## Order Codes

P16	Model	Body	Leakageproof Type	Mechanical Connection Type	Electrical Con. Type	Pressure			Output Signal	Accuracy
						Code	Pressure Range (bar)	P <sub>max</sub>		
<b>P16</b> Model Pressure Transmitter & Transducer	Y Brass "MS58"	N NBR E EPDM H HNBR	1/4" BSPT	A3 G1/4"	T1 DIN 43650 A	V0 -1...0	6 bar	Z1 4 ... 20 mA	F1 Pressure transmitter that is calibrated high accuracy ( Please review Accuracy diagram for accuracy values).  If accuracy type doesn't preferred, pressure transmier which is calibrated as standart accuracy, is delivered. ( ± %0.5 FS @ 25°C)	
				A4 G1/8"	T2 DIN 43650 C	V1 -1...1	6 bar			Z1.3 4 ... 20 mA ( 3 kablolu )
				S3 1/4" BSPT	T3 M12 x 1 (4 pin)	V3 -1...3	6 bar			Z2 DC 0 ... 10 V
				S4 1/8" BSPT	T4 Kablo Çıkışı 2 metre	V6 -1...6	15 bar	Z3 DC 0 ... 5 V		
				B1 M10 x1,0	T5 Kablo Çıkışı 2 metre	V10 -1...10	30 bar	Z4 DC 1 ... 5 V		
				B3 M12x1,5		V16 -1...16	45 bar	Z5 DC 0,5 ... 4,5 V		
				N3 1/8"NPT		V24 -1...25	75 bar	Z6 DC 0,5 ... 4,5 V Rasiometric9		
				N4 1/4"NPT		2.5 0 ... 2,5	6 bar			
						6 0 ... 6	15 bar			
						10 0 ... 10	30 bar			
						16 0 ... 16	45 bar			
						25 0 ... 25	75 bar			
						40 0 ... 40	100 bar			
						60 0 ... 60	130 bar			
						100 0 ... 100	250 bar			
		160 0 ... 160	350 bar							
		250 0 ... 250	600 bar							
		315 0 ... 315	700 bar							
		400 0 ... 400	700 bar							
		600 0 ... 600	1050 bar							

## Electrical Connession Type

		2 cabled		3 cabled
T1 DIN 43650 A Wide Socket 30 x 30		U <sub>B</sub>	1	1
		0V	2	2
		S <sub>+</sub>	-	3
T2 DIN 43650 C Thin Socket 16 x 16		U <sub>B</sub>	1	1
		0V	2	2
		S <sub>+</sub>	-	3
T3 M12 x 1 ( 4 PIN )		U <sub>B</sub>	1	1
		0V	3	3
		S <sub>+</sub>	-	4
T4 Cable output Cable height : 2 meter		U <sub>B</sub>	Red	Red
		0V	Blue	Blue
		S <sub>+</sub>	-	Brown

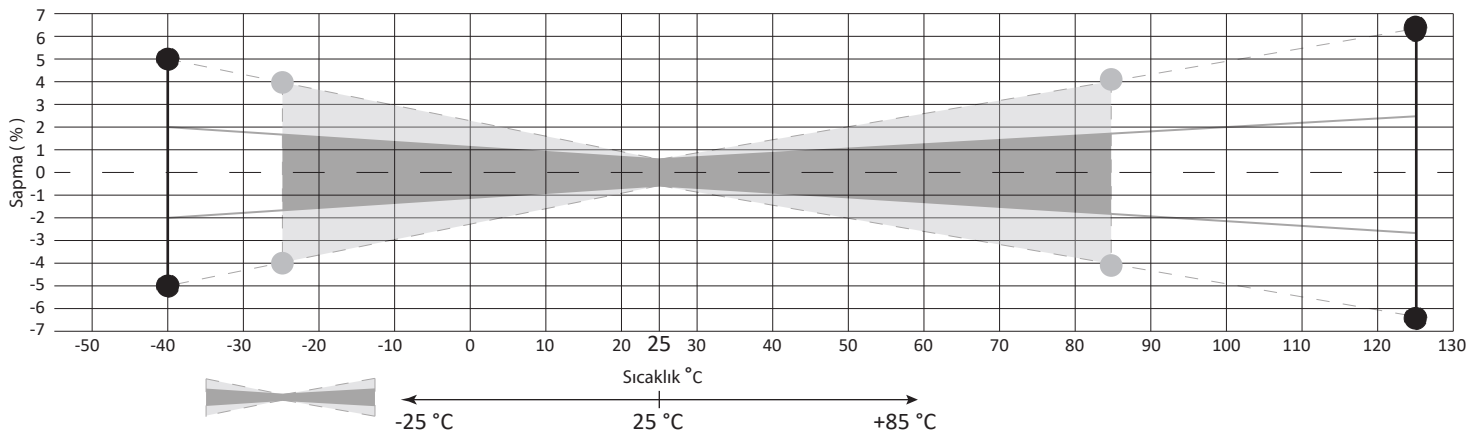
## Technical Feature

Special Feature								
Parameters	Unit	Current		Voltage				Rasiometric
Output Signal	-	4 ... 20mA	4 ... 20mA (3 kablolu)	0 ... 10V	0 ... 5V	1 ... 5V	0,5 ... 4,5V	0,5 ... 4,5 V Rasiometric
Input Voltage	VDC	8 ... 30		14 ... 30	8 ... 30			5V ± % 10
Load	Ω	≤(Power supply - 8 V)/0,02 A		> Maximum output signal / 1mA				> 10k
Total current consume	mA	Current Signal, max. 25		8				8
Temperature accuracy 0 ... 80 °C	-	≤ % ± 1 FS						
Action Time	ms	< 5 ms						
Shock Testi	g	30						
Working Temperature	°C	- 20 °C ... 80 °C						
Mechanical Con.	-	G1/4" - G1/8" - 1/4"BSPT - 1/8"BSPT - M10x1,0 - M12x1,5 - 1/8"NPT - 1/4"NPT						
Body Material	-	316L Stainless or Brass body options						

Not: If you have necessary about the out of values, Please contact us.

## Accuracy Diagram

Temperature/Accuracy Diagram of P16 Series Pressure Transmitter that has Standart and Calibrated High Accuracy



Pressure transmitter calibrated standard accuracy :

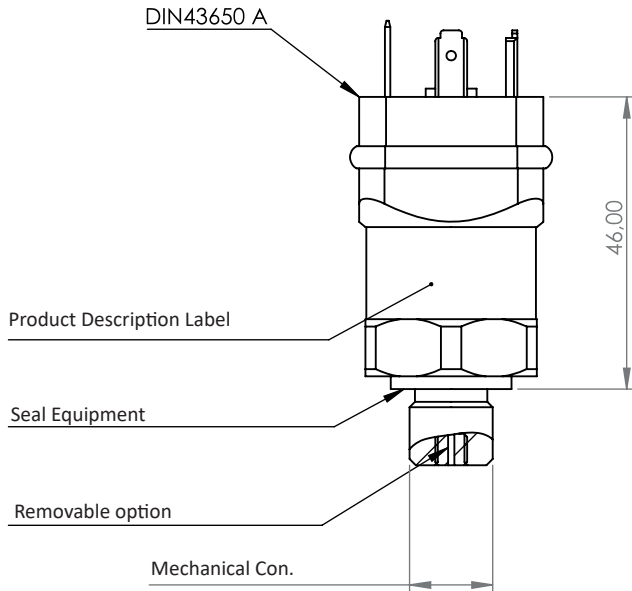


Pressure transmitter calibrated high accuracy :

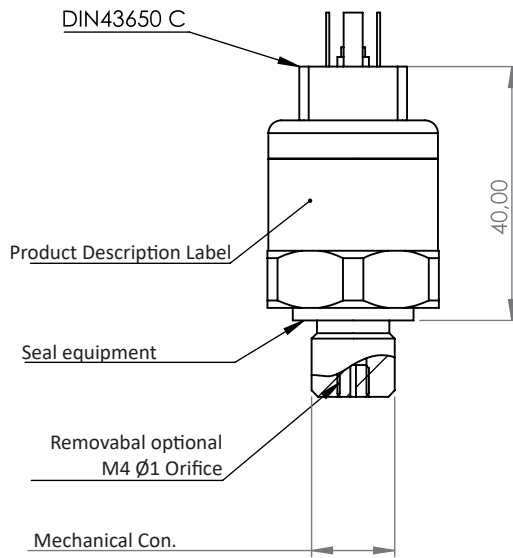


Technical Dimensions

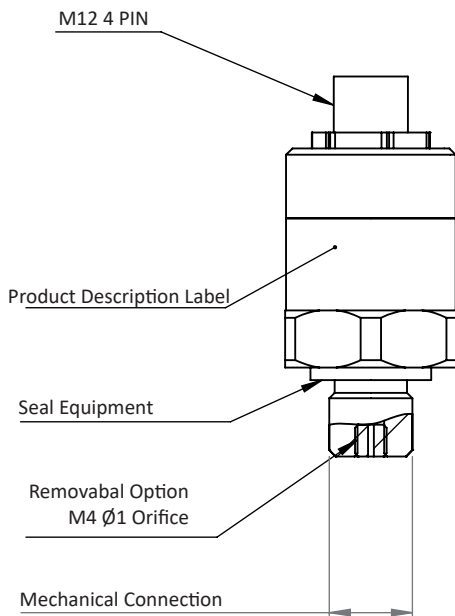
Electrical Connection  
T1



Electrical Connection  
T2



Electrical Connection  
T3



Electrical Connection  
T4

