

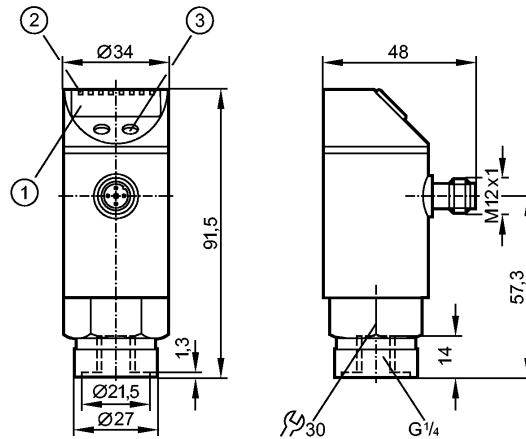


PE3004

PE-010-RDR14-MFPKG/US/IE



Pressure sensors



- 1: 4-digit alphanumeric display
- 2: LEDs (display unit / switching status)
- 3: Programming button



Product characteristics

Combined pressure sensor

Quick disconnect

Sealing of the measuring cell: EPDM

Function programmable

Process connection: G 1/4 I

Switching output,
analogue output (0 bar = 4 mA / 0 V; 10 bar = 20 mA / 10 V)

4-digit alphanumeric display

Measuring range: -1...10 bar / -14.5...145 psi / -0.1...1.0 MPa

Application

Application	Type of pressure: relative pressure Liquids and gases Cannot be used for oils		
Pressure rating	75 bar	1087 psi	7.5 MPa
Bursting pressure min.	150 bar	2175 psi	15 MPa
Medium temperature [°C]	-25...80		

Electrical data

Electrical design	DC PNP
Operating voltage [V]	18...36 DC 1)
Current consumption [mA]	< 50
Insulation resistance [MΩ]	> 100 (500 V DC)
Protection class	III
Reverse polarity protection	yes
Overvoltage protection [V]	up to 40 V

Outputs

Output	Switching output, analogue output (0 bar = 4 mA / 0 V; 10 bar = 20 mA / 10 V)
Output function	normally open / closed programmable; 4...20 mA or 0...10 V
Current rating [mA]	250
Voltage drop [V]	< 2



PE3004

PE-010-RDR14-MFPKG/US/ /E



Pressure sensors

Short-circuit protection	yes (non-latching)
Switching frequency [Hz]	≤ 170
Analog output	4...20 mA / 0...10 V
Max. load [Ω]	4...20 mA: max. 500 / 0...10 V: min. 2000

Measuring / setting range			
Measuring range	-1...10 bar	-14.5...145 psi	-0.1...1.0 MPa
Setting range			
Set point, SP	-0.90...10.00 bar	-12...145 psi	-0.090...1.000 MPa
Reset point, rP	-0.95...9.95 bar	-13...144 psi	-0.095...0.995 MPa
in steps of	0.05 bar	1 psi	0.005 MPa
Factory setting	SP1 = 2.50 bar; rP1 = 2.30 bar		

Accuracy / deviations	
Accuracy / deviations (in % of the span)	
Switch point accuracy	< ± 0.5
Characteristics deviation *)	< ± 0.25 (BFSL) / < ± 0.5 (LS)
Hysteresis	< ± 0.25
Repeatability **)	< ± 0.1
Long-term stability ***)	< ± 0.05
Temperature coefficients (TEMPCO) in the temperature range -20...80° C (in % of the span per 10 K)	
Greatest TEMPCO of the zero point	0.2
Greatest TEMPCO of the span	0.2

Reaction times	
Power-on delay time [s]	0.3
Delay time programmable dS, dr [s]	0; 0.2...50
Response time analog output [ms]	< 3
Integrated watchdog	yes

Software / programming	
Programming options	hysteresis / window function; N.O. / N.C; on delay, off delay; damping; display unit; current / voltage output

Environment	
Ambient temperature [°C]	-20...80
Storage temperature [°C]	-40...100
Protection	IP 67

Tests / approvals	
EMC	EN 61000-4-2 ESD: 4 kV CD / 8 kV AD EN 61000-4-3 HF radiated: 10 V/m EN 61000-4-4 Burst: 2 kV EN 61000-4-5 Surge: 0.5/1 kV EN 61000-4-6 HF conducted: 10 V
Shock resistance	DIN IEC 68-2-27: 50 g (11 ms)
Vibration resistance	DIN IEC 68-2-6: 20 g (10...2000 Hz)
MTTF [Years]	231

Mechanical data	
Process connection	G ¼ I
Materials (wetted parts)	stainless steel 316L / 1.4404; ceramics (99.9 % Al ₂ O ₃); EPDM



PE3004

PE-010-RDR14-MFPKG/US/ /E

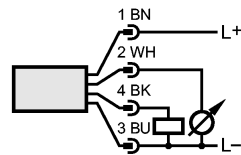
Pressure sensors

Housing materials	stainless steel (304S15); stainless steel 316L / 1.4404; PC (Makrolon); PBT (Pocan); PEI; FPM (Viton); PTFE
Switching cycles min.	100 million
Weight [kg]	0.262

Displays / operating elements	
Display	Display unit 3 x LED green Switching status LED yellow Function display 4-digit alphanumeric display Measured values 4-digit alphanumeric display

Electrical connection	
Connection	M12 connector; gold-plated contacts

Wiring



Remarks

Remarks	1) to EN50178, SELV, PELV *) BFSL = Best Fit Straight Line / LS = Limit Value Setting **) with temperature fluctuations < 10 K ***) in % of value of measuring range / 6 months
---------	--

Pack quantity [piece]	1
-----------------------	---