

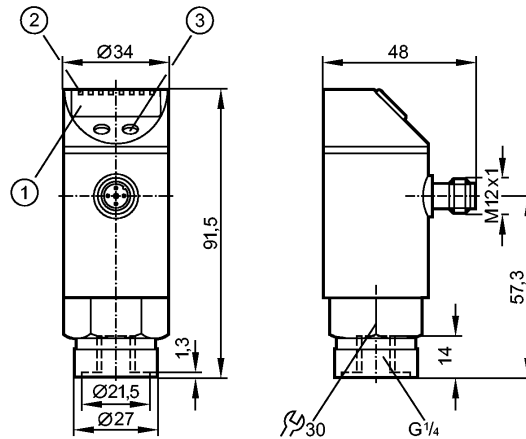


PE3006

PE-2.5-RDR14-MFPKG/US/ IE



Pressure sensors



- 1: 4-digit alphanumeric display
- 2: LEDs (display unit / switching status)
- 3: Programming button



Product characteristics

Combined pressure sensor
 Quick disconnect
 Sealing of the measuring cell: EPDM
 Function programmable
 Process connection: G 1/4 I
 Switching output, Analog output
 4-digit alphanumeric display
 Measuring range: 0...2.5 bar / 0...36.3 psi / 0...250 kPa

Application

Application	Type of pressure: relative pressure Liquids and gases Cannot be used for oils		
Pressure rating	20 bar	290 psi	2000 kPa
Bursting pressure min.	50 bar	725 psi	5000 kPa
Medium temperature [°C]	-25...80		

Electrical data

Electrical design	DC PNP		
Operating voltage [V]	18...36 DC ¹⁾		
Current consumption [mA]	< 50		
Insulation resistance [MΩ]	> 100 (500 V DC)		
Protection class	III		
Reverse polarity protection	yes		
Overvoltage protection [V]	up to 40 V		

Outputs

Output	Switching output, Analog output		
Output function	normally open / closed programmable; 4...20 mA or 0...10 V		
Current rating [mA]	250		
Voltage drop [V]	< 2		
Short-circuit protection	yes (non-latching)		



PE3006

PE-2.5-RDR14-MFPKG/US/ /E



Pressure sensors

Switching frequency [Hz]	≤ 170
Analog output	4...20 mA / 0...10 V
Max. load [Ω]	4...20 mA: max. 500 / 0...10 V: min. 2000

Measuring / setting range			
Measuring range	0...2.5 bar	0...36.3 psi	0...250 kPa
Setting range			
Set point, SP	0.02...2.50 bar	0.4...36.2 psi	2...250 kPa
Reset point, rP	0.01...2.49 bar	0.2...36.0 psi	1...249 kPa
in steps of	0.01 bar	0.2 psi	1 kPa
Factory setting	SP1 = 0.63 bar; rP1 = 0.58 bar		

Accuracy / deviations	
Accuracy / deviations (in % of the span)	
Switch point accuracy	< ± 0.5
Characteristics deviation *)	< ± 0.25 (BFSL) / < ± 0.5 (LS)
Hysteresis	< ± 0.25
Repeatability **)	< ± 0.1
Long-term stability ***)	< ± 0.05
Temperature coefficients (TEMPCO) in the temperature range -20...80° C (in % of the span per 10 K)	
Greatest TEMPCO of the zero point	0.2
Greatest TEMPCO of the span	0.2

Reaction times	
Power-on delay time [s]	0.3
Delay time programmable dS, dr [s]	0; 0.2...50
Response time analog output [ms]	< 3
Integrated watchdog	yes

Software / programming	
Programming options	hysteresis / window function; N.O. / N.C; on delay, off delay; damping; display unit; current / voltage output

Environment	
Ambient temperature [°C]	-20...80
Storage temperature [°C]	-40...100
Protection	IP 67

Tests / approvals		
EMC	EN 61000-4-2 ESD:	4 kV CD / 8 kV AD
	EN 61000-4-3 HF radiated:	10 V/m
	EN 61000-4-4 Burst:	2 kV
	EN 61000-4-5 Surge:	0.5/1 kV
	EN 61000-4-6 HF conducted:	10 V
	Shock resistance	DIN IEC 68-2-27:
Vibration resistance	DIN IEC 68-2-6:	20 g (10...2000 Hz)
MTTF [Years]		231

Mechanical data	
Process connection	G ¼ I
Materials (wetted parts)	stainless steel 316L / 1.4404; ceramics (99.9 % Al ₂ O ₃); EPDM
Housing materials	stainless steel (304S15); stainless steel 316L / 1.4404; PC (Makrolon); PBT (Pocan); PEI; FPM (Viton); PTFE



PE3006

PE-2.5-RDR14-MFPKG/US/ /E

Pressure sensors

Switching cycles min. 100 million

Weight [kg] 0.263

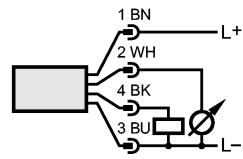
Displays / operating elements

Display	Display unit 3 x LED green Switching status LED yellow Function display 4-digit alphanumeric display Measured values 4-digit alphanumeric display
---------	--

Electrical connection

Connection M12 connector; gold-plated contacts

Wiring



Remarks

Remarks	1) to EN50178, SELV, PELV *) BFSL = Best Fit Straight Line / LS = Limit Value Setting **) with temperature fluctuations < 10 K ***) in % of value of measuring range / 6 months
---------	--

Pack quantity [piece] 1