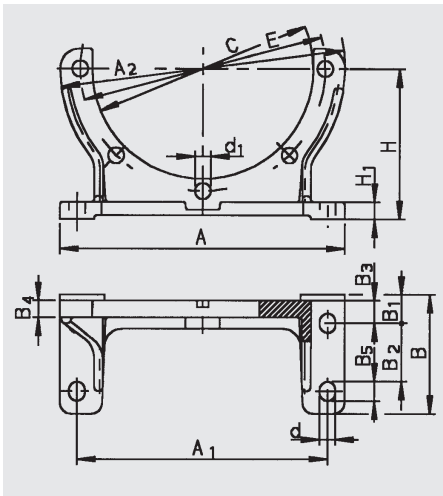




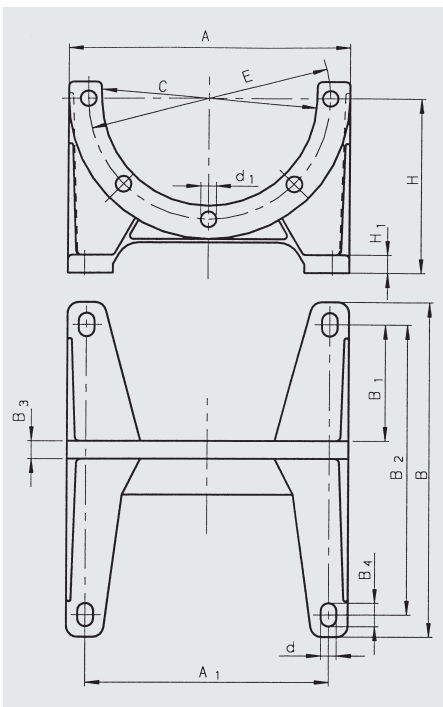
## Bell Housing Foot Brackets for PT, PTK, PTS



### LIGHT-DUTY RANGE TO VDMA 24561

Size	Part no.	A	A1	A2	B	B1	B2	B3	B4	B5	H	H1	d	C	E	d1
PF-160/3	3130712	160	140	-	80	15	50	7	12	-	100	10	9	110	130	9
PF-200/3	953938	210	180	200	93	14	60	3	8	23	112	12	11	146	165	11
PF-250/3 for PT, PTS	3326868	250	220	-	110	20	60	21	19	-	132	15	14	190	215	14
PF-250/3 for PTK*	3290117	250	220	-	110	20	60	21	19	-	132	15	14	190	215	14
PF-300/3	953710	290	260	300	120	19	80	19	15	32	160	15	14	240	265	14

\* additional counterbore for use with countersunk screws



### HEAVY-DUTY RANGE TO VDMA 24561

Size	Part no.	A	A1	B	B1	B2	B3	B4	H	H1	d	C	E	d1
PF-350/3*	953942	350	300	305	70	265	18	22	180	18	18	265	300	18
PF-250/4	3045399	250	215	260	60	185	15	24	155	15	14	190.3	215	14
PF-300/4	3043132	300	265	270	75	225	18	24	185	18	14	234.5	265	14
PF-350/4	3045259	350	300	305	90	265	18	30	235	18	18	260	300	18
PF-400/4	3044298	400	350	350	100	300	20	30	260	20	18	302	350	18
PF-450/4	3044299	450	400	385	110	335	22	30	295	20	18	352	400	18
PF-550/4	3030682	550	500	465	140	415	25	30	350	25	18	452	500	18
PF-660/4	3044300	660	600	555	165	495	30	40	380	30	22	552	600	22

\* PF-350/3 is part of the light-duty range but has dimensions according to drawing on left